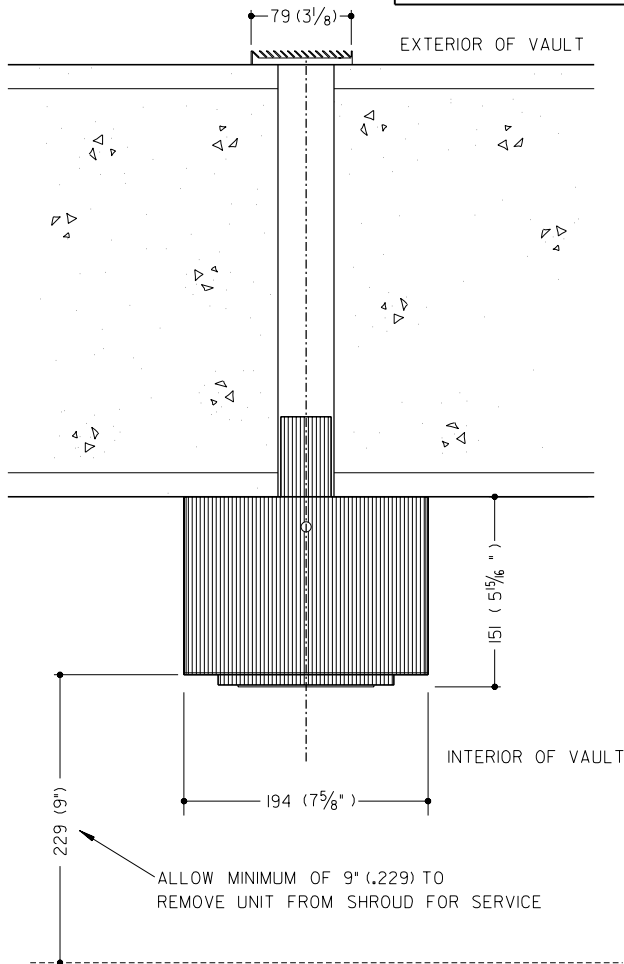
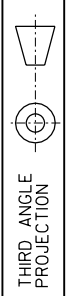


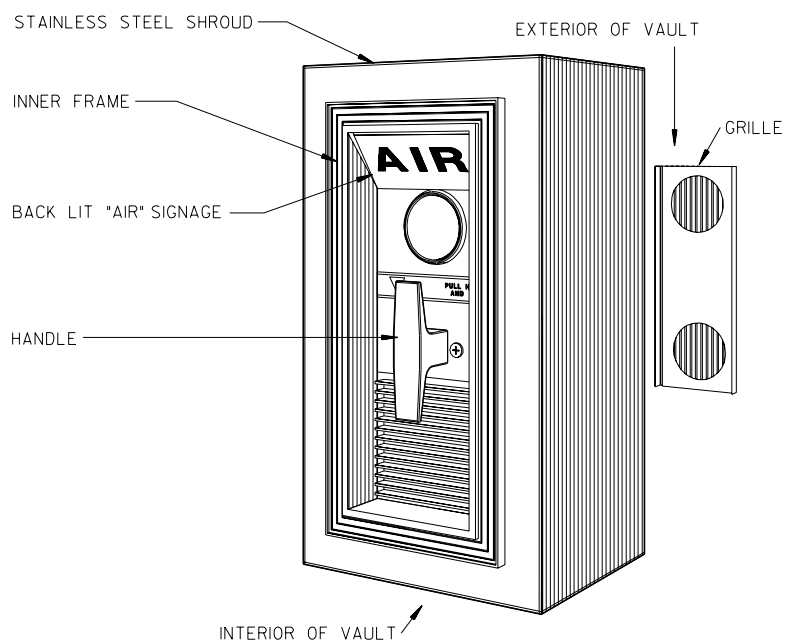
L43529

CALL 1-800-999-3600

DIMENSIONS IN MILLIMETRES
(DIMENSIONS IN FEET-INCHES)



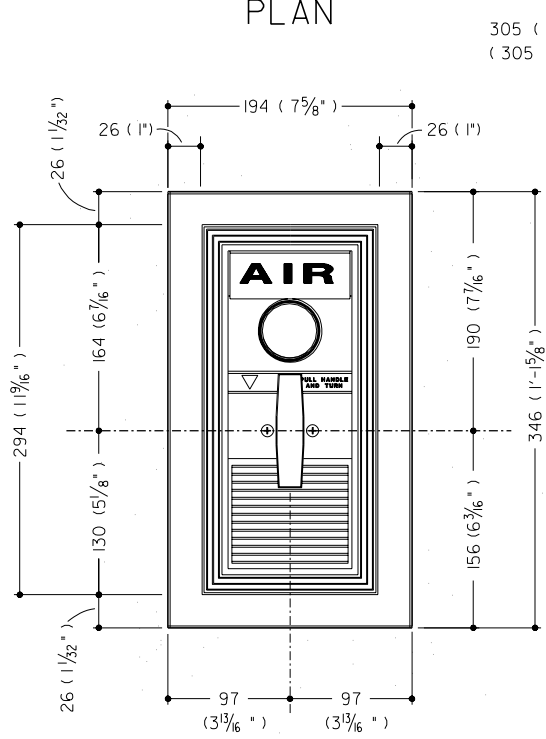
PLAN



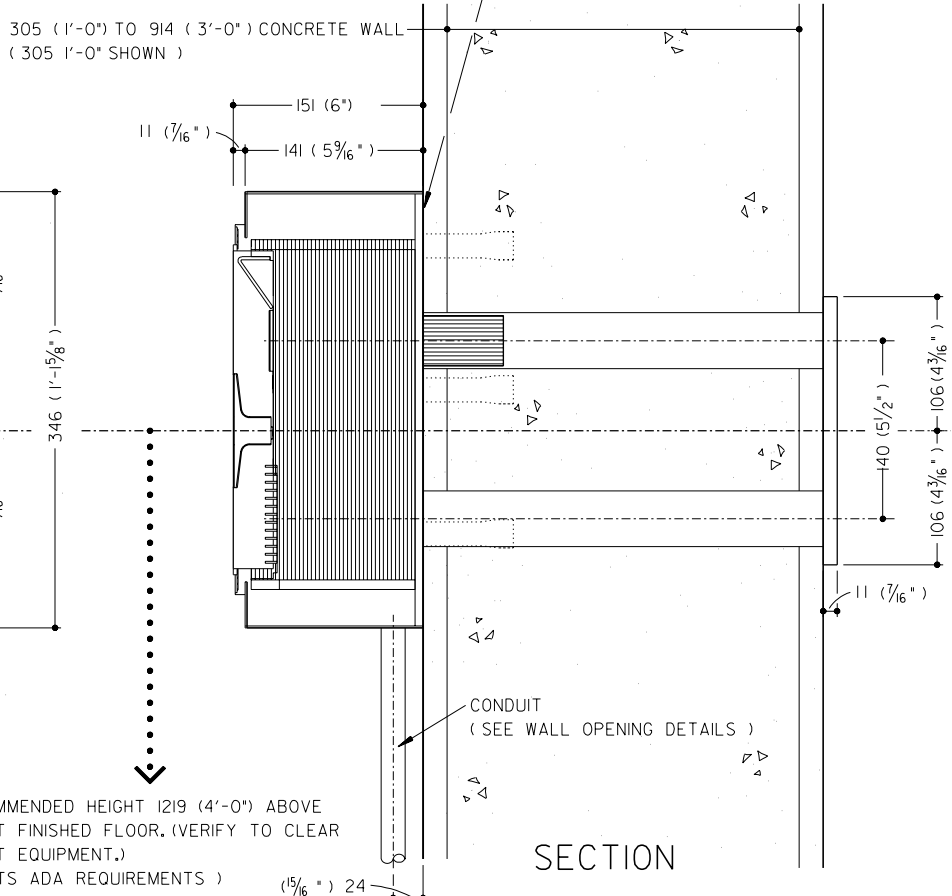
PERSPECTIVE

PAGE 1 OF 4

*ALL DIMENSIONS AND DESIGN CRITERIA
SUBJECT TO CHANGE WITHOUT NOTICE.



FRONT VIEW
INTERIOR OF VAULT



SECTION

FILE NO. 188-29 REV. 1



SPECIFICATIONS

MODEL 20I-06 ————— WALL MOUNTED UNIT IS DESIGNED FOR INSTALLATION IN EXISTING VAULTS

FAN ————— RATED AT 30-35 CFM TO PROVIDE AIR CIRCULATION INTO VAULT

INNER FRAME ————— ALUMINUM, CLEAR ANODIZED WITH SATIN BLACK TRIM
MOUNTED OVER THE STAINLESS STEEL SHROUD

GRILLE ————— SATIN BLACK WITH FACE OF RIBS SILVER GRAY

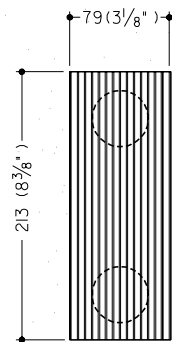
LIGHT COVER ————— WHITE TRANSLUCENT PLEXIGLAS WITH LETTERING "AIR" IN BLACK
(3) LAMPS PROVIDE 24 HOUR ILLUMINATION OF LIGHT COVER

HANDLE ————— SATIN CHROME PLATED, MOUNTED OVER THE STAINLESS STEEL COVER PLATE

DIMENSIONS IN MILLIMETRES
(DIMENSIONS IN FEET-INCHES)



*ALL DIMENSIONS AND DESIGN CRITERIA
SUBJECT TO CHANGE WITHOUT NOTICE.*

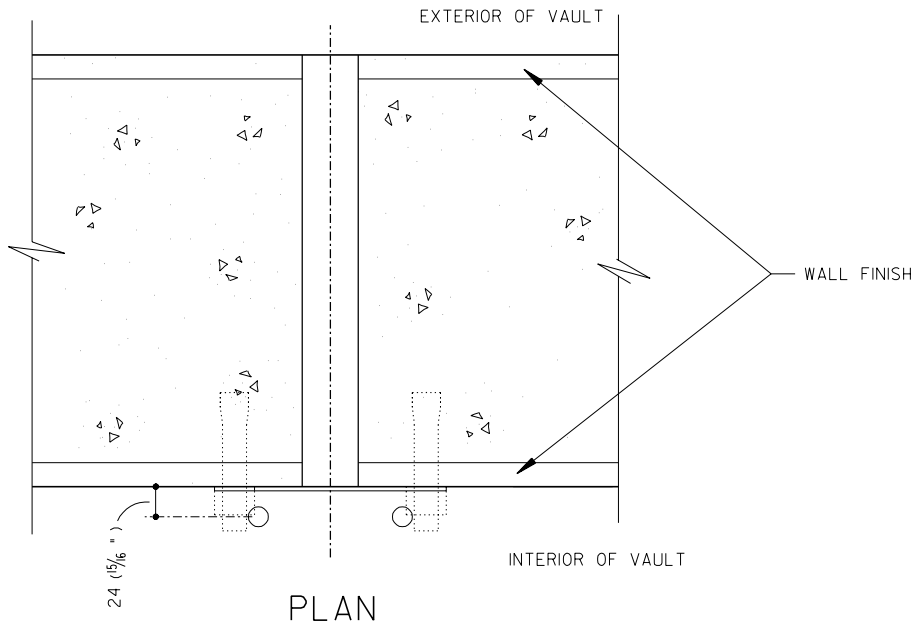


GRILLE SECURED TO
WALL FINISH WITH PLASTIC
ANCHORS AND (2) #8 RD. HD. S.T.S.

BACK VIEW
EXTERIOR OF VAULT

CALL 1-800-999-3600

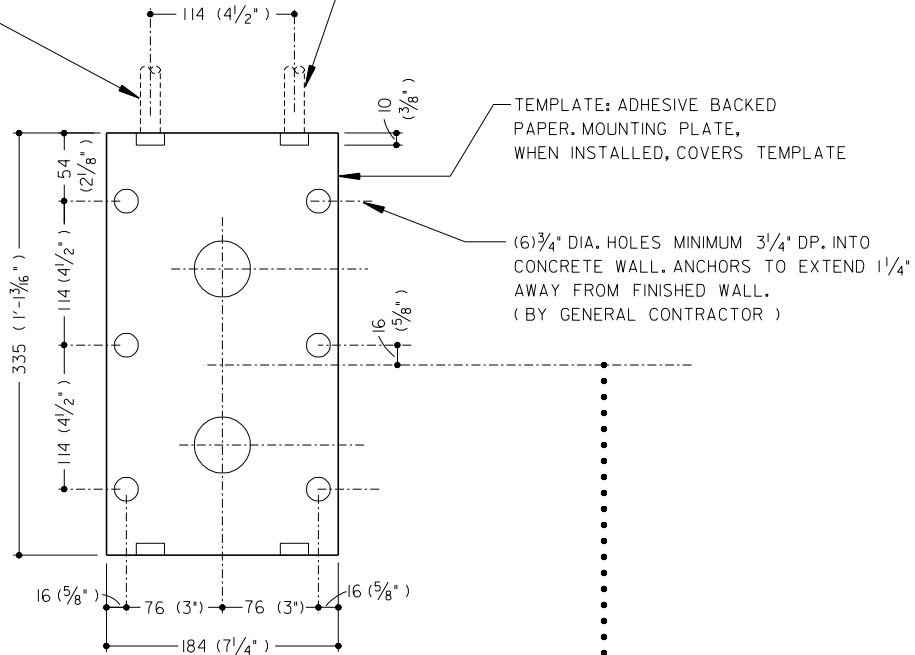
DIMENSIONS IN MILLIMETRES
(DIMENSIONS IN FEET-INCHES)



CONDUIT FROM ABOVE OR BELOW UNIT TO
SUIT VAULT CONDITIONS

1/2" CONDUIT FROM ELECTRICAL SUPPLY 115 V. 60 CYCLE A.C. (UNSWITCHED)
REQUIRES (1) AMP SUPPLY
CONNECTION AND EQUIPMENT GROUNDING ALL BY ELECTRICAL CONTRACTOR

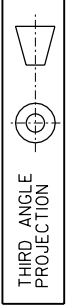
1/2" CONDUIT FROM ALARM SYSTEM (BY ELECTRICAL CONTRACTOR)
MAXIMUM VOLTAGE AND CURRENT: 50 VDC 0.1AMP



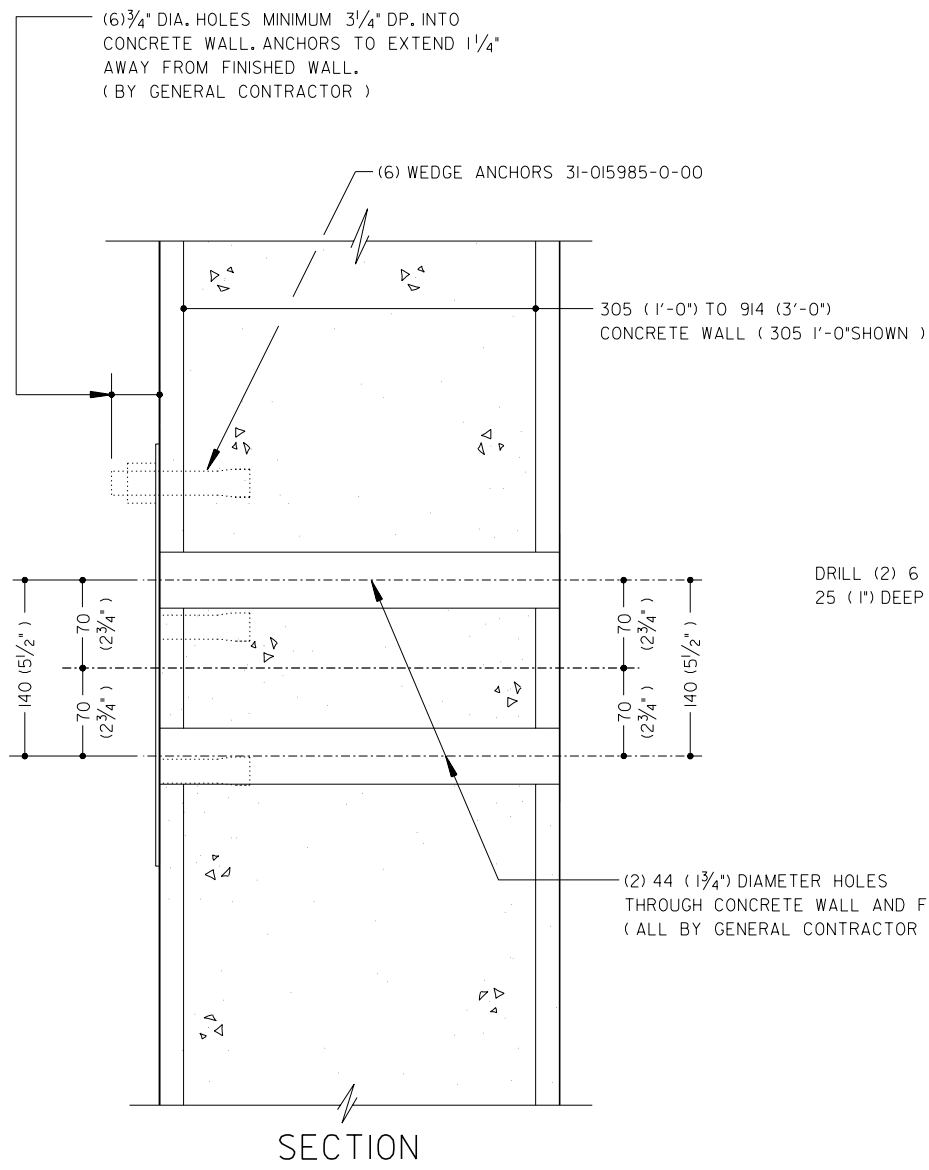
RECOMMENDED HEIGHT 1219 (4'-0") ABOVE
VAULT FINISHED FLOOR. (VERIFY TO CLEAR
VAULT EQUIPMENT.)
(MEETS ADA REQUIREMENTS)



DIMENSIONS IN MILLIMETRES
(DIMENSIONS IN FEET-INCHES)



*ALL DIMENSIONS AND DESIGN CRITERIA
SUBJECT TO CHANGE WITHOUT NOTICE.*



DRILL (2) 6 (1/4") DIA. HOLES 25 (1") DEEP FROM FINISH WALL

