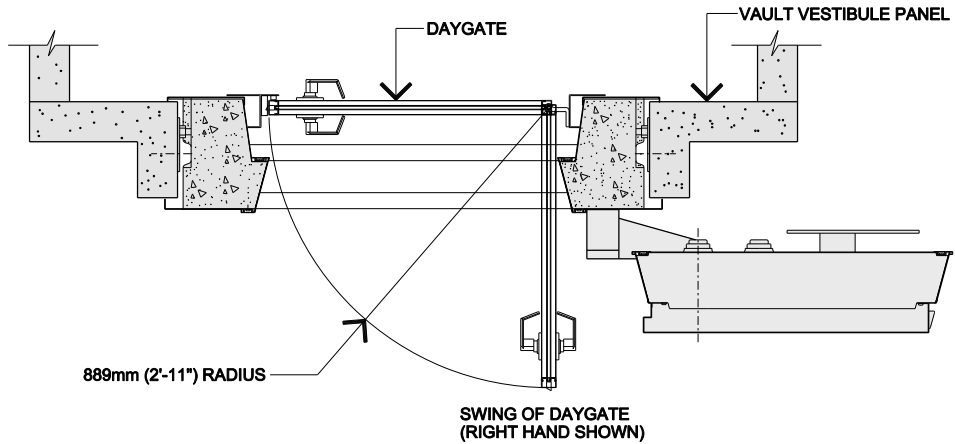
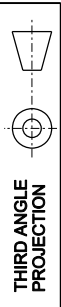


DIMENSIONS IN MILLIMETRES
(DIMENSIONS IN FEET-INCHES)

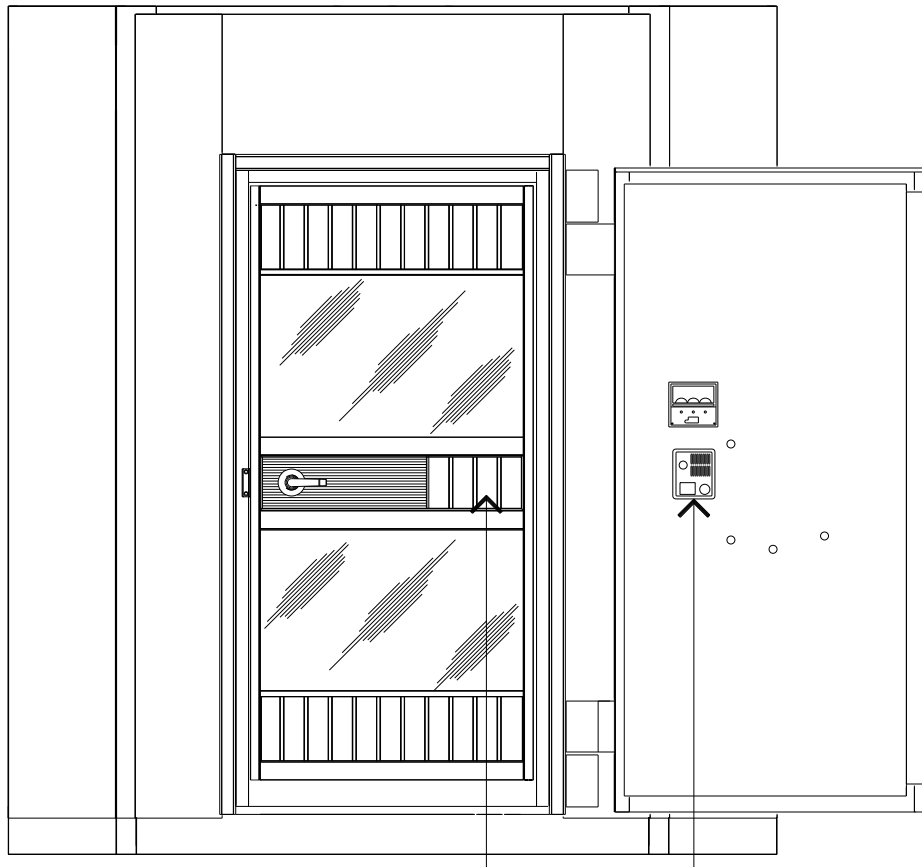


PLAN VIEW

NOTE:

DAYGATE WEIGHT: 27kg (60 LBS.)

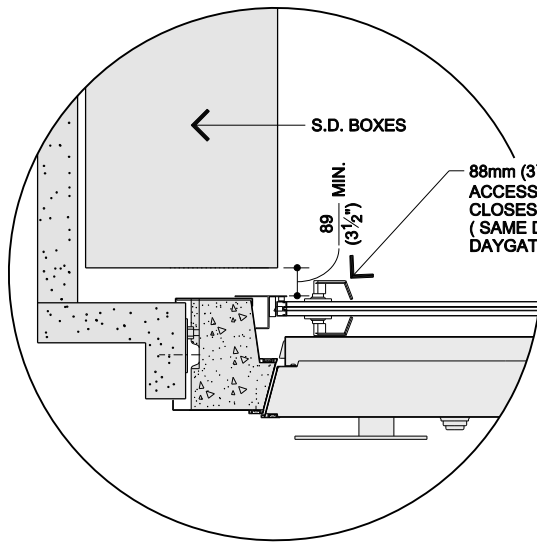
MOUNTING HOLES ARE PROVIDED IN DIEBOLD
VAULT DOORS FOR MOUNTING DAYGATE.



OPEN AREA IN DAYGATE FOR
ACCESS TO VAULT DOOR EMERGENCY
VAULT VENTILATOR. OPEN AREA IN
DAYGATE "MUST" BE ON THE SAME SIDE
AS THE VAULT DOOR HINGE.

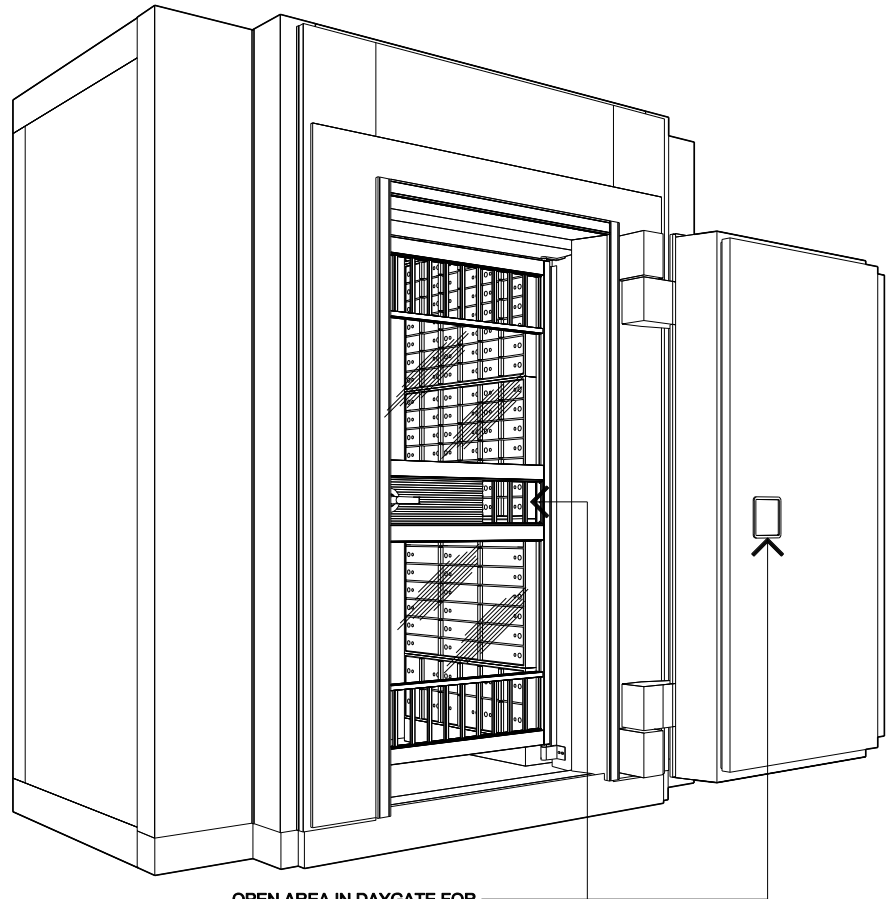
EXTERIOR ELEVATION

DIMENSIONS IN MILLIMETRES
(DIMENSIONS IN FEET-INCHES)



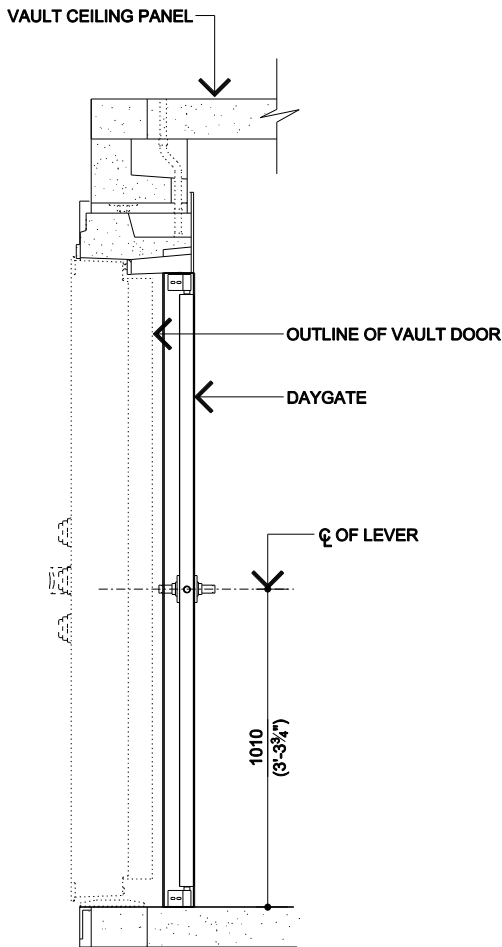
89mm (3 1/2") MINIMUM DIMENSION FOR ACCESS TO S.D. BOXES AND BOND BOXES CLOSEST TO DAYGATE AND DAYGATE LEVER. (SAME DIMENSION ON HINGE SIDE OF DAYGATE).

DETAIL
(S.D. BOX CLEARANCE)



OPEN AREA IN DAYGATE FOR ACCESS TO VAULT DOOR EMERGENCY VAULT VENTILATOR. OPEN AREA IN DAYGATE "MUST" BE ON THE SAME SIDE AS THE VAULT DOOR HINGE.

PERSPECTIVE



SIDE VIEW