

SPECIFICATION FOR TRIPLE WIDTH 300 LM SERIES TELLER LOCKERS

CONSTRUCTION:—SPOT WELDED SECTION WITH GRAINED ALUMINUM FRONT FRAME.
 BODY FABRICATED FROM ZINC COATED SHEET STEEL.
 SECTIONS ARE 24"D. X 32½"W. X HEIGHT WILL VARY.

HINGES:—BRASS PLATED HINGES WITH STEEL PINS.
 HINGES INDEPENDENT OF DOOR AND FRAME.

LOCKS:—A-VERSION - I75-70 U.L. LISTED: 7 CUSTOMER TUMBLERS; 7 GUARD TUMBLERS EACH SIDE INDEPENDENTLY CHANGEABLE
 ONE ATTACHING SCREW TO DOOR ACCESSIBLE ONLY WHEN CUSTOMER AND GUARD KEY ARE PRESENT IN LOCK.
 BRASS FINISH ON NOSES MATCH HINGES.
 C-VERSION - MECHANICAL KEY CHANGING COMBINATION LOCKS
 E-VERSION - ELECTRONIC COMBO-GARD COMBINATION LOCKS

LOCK OPTIONS:

- STANDARD ELECTRONIC LOCK
- ELECTRONIC LOCK WITH DELAY ACTION
- ELECTRONIC LOCK WITH DUAL CONTROL

STACKING:—SECTIONS HAVE BUILT-IN INTERLOCKING CLIPS AT REAR TO MAINTAIN ALIGNMENT; PINS AT FRONT TO PREVENT SHIFTING;
 SCREWS IN VERTICAL SIDE MEMBERS TO ATTACH ADJOINING SECTIONS.

DOORS:—300 LM - DOOR ½" THICK ON EDGE WITH PREFINISHED STAINLESS STEEL FRONT.

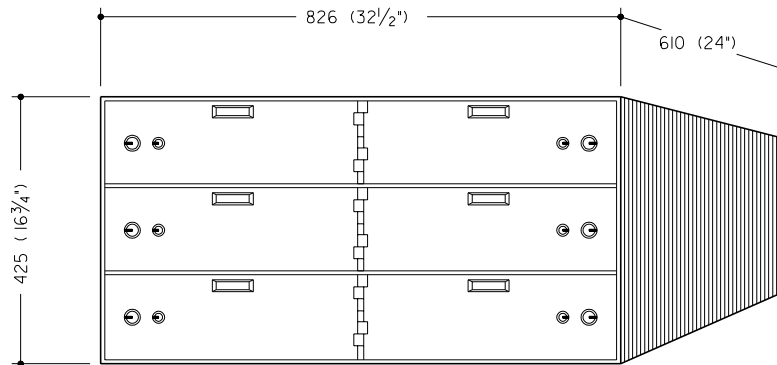
NUMBERING:—300 LM - SATIN CHROME NUMBER FRAME WITH BRASS TONE NUMBER INSERT.

WEIGHT:—30406-A, C, E — 108.86 kg. (240 lbs.)
 30408-A, C, E — 136.07 kg. (300 lbs.)

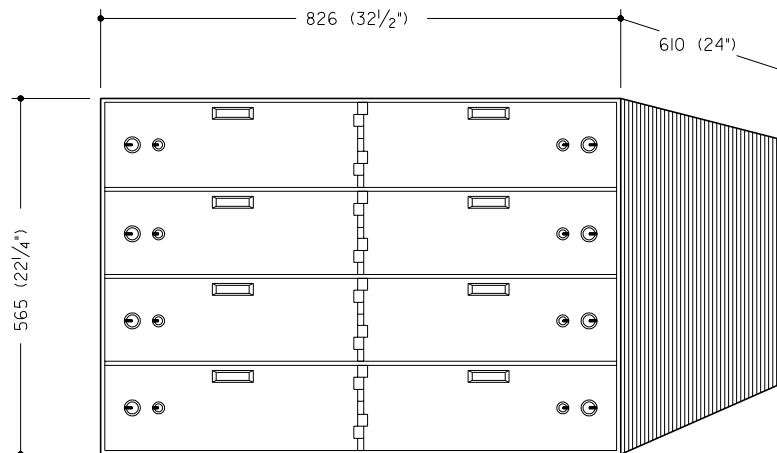
DIMENSIONS IN MILLIMETRES
(DIMENSIONS IN FEET-INCHES)



THIRD ANGLE
PROJECTION



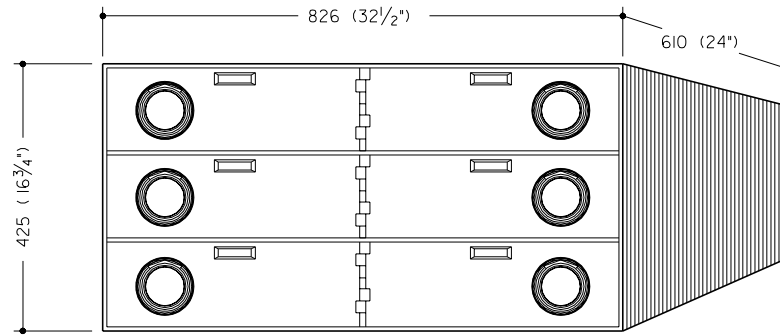
30406-A



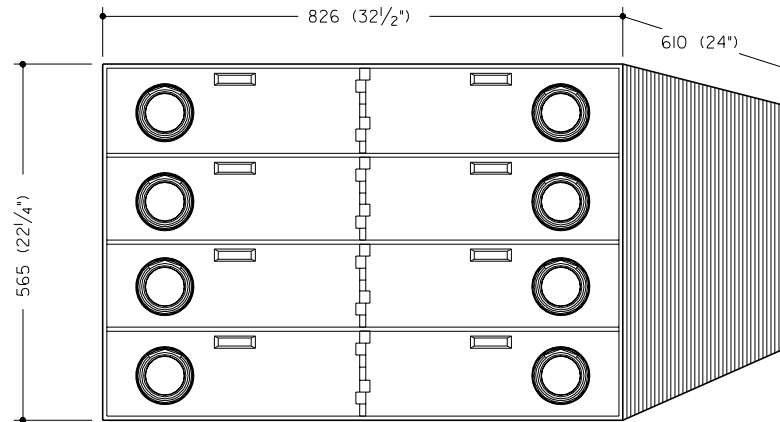
30408-A

CALL 1-800-999-3600

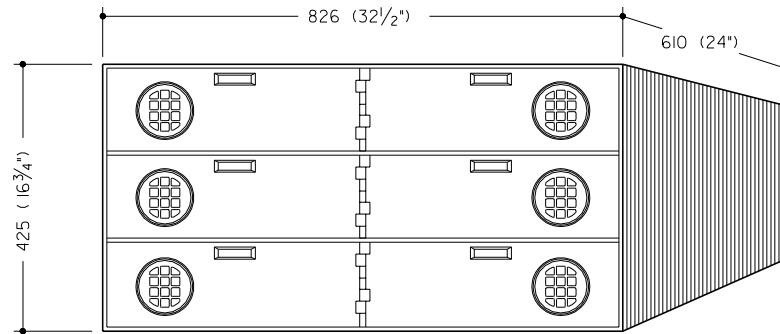
DIMENSIONS IN MILLIMETRES
(DIMENSIONS IN FEET-INCHES)



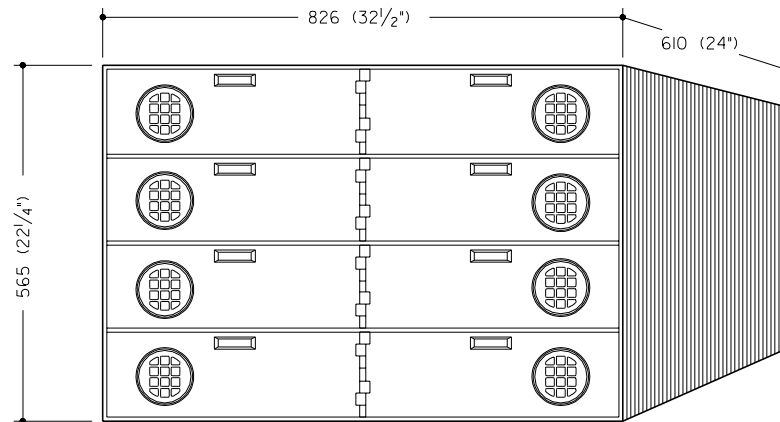
30406-C



30408-C



30406-E



30408-E