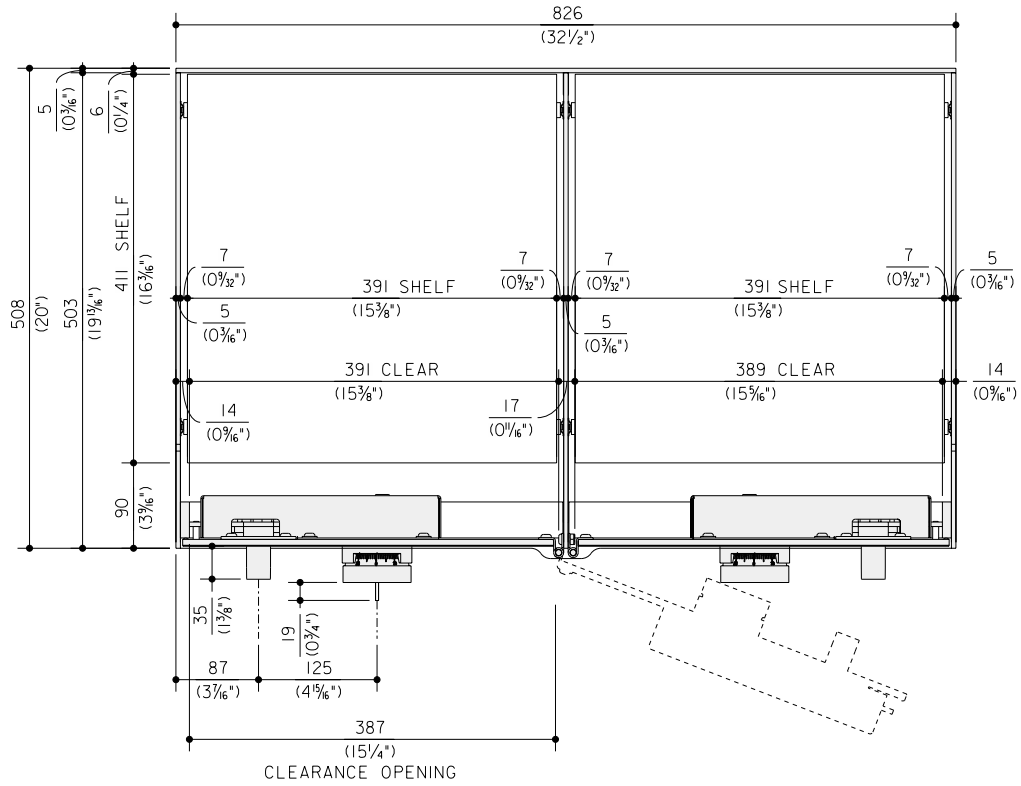
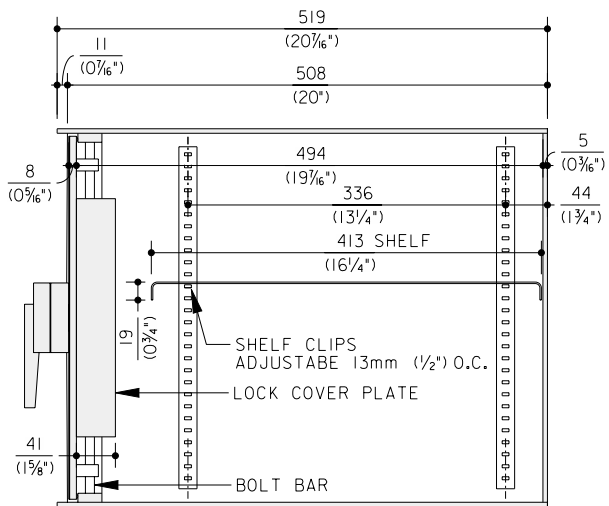


DIMENSIONS IN MILLIMETRES
(DIMENSIONS IN INCHES)

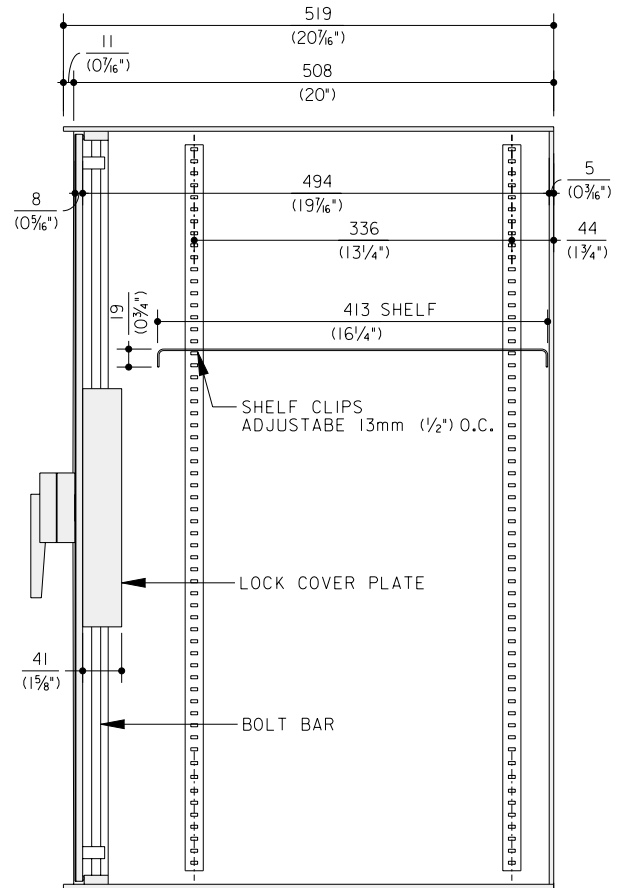


HORIZONTAL SECTION

*ALL DIMENSIONS AND DESIGN CRITERIA
SUBJECT TO CHANGE WITHOUT NOTICE*



135-75 SECTION



135-76 SECTION