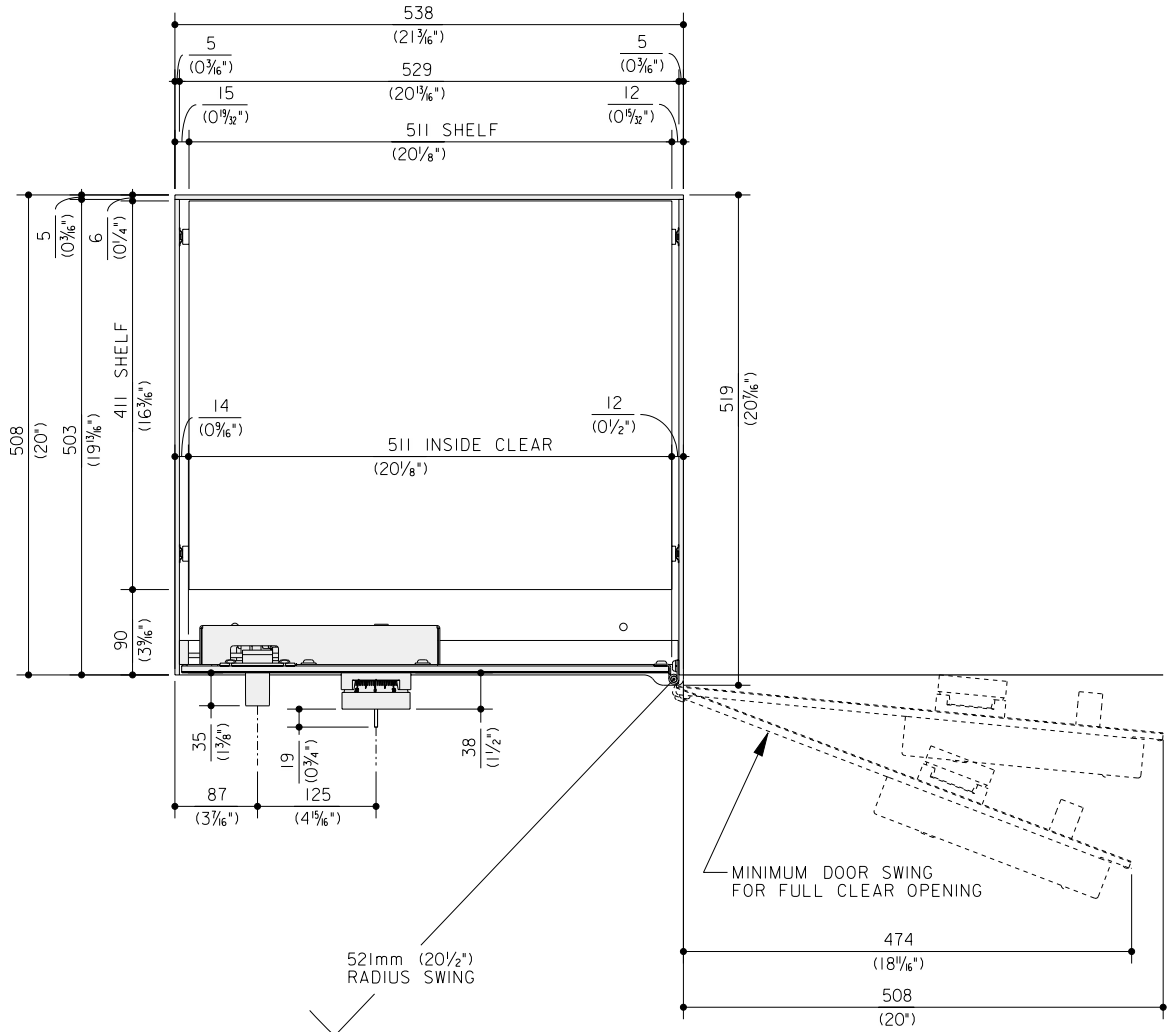
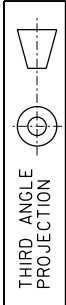


DIMENSIONS IN MILLIMETRES  
(DIMENSIONS IN INCHES)



PLAN VIEW

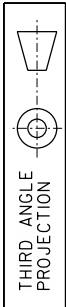
# 135-71 UNITIZED LOCKER SPECIFICATION

- LOCKER BODY: \_\_\_\_\_ 5mm ( $\frac{3}{16}$ " ) STEEL WITH ALL WELDED CONSTRUCTION.
- DOOR: \_\_\_\_\_ 6mm ( $\frac{1}{4}$ " ) STEEL.
- LM 300 NUMBER PLATES: \_\_\_\_\_ SATIN CHROME NUMBER FRAME WITH BRASS TONE NUMBER INSERT.
- BOLTWORK: \_\_\_\_\_ FLAT UP AND DOWN BOLTWORK ENGAGING AT TOP, BOTTOM AND ON OPEN SIDE.
- LOCK: \_\_\_\_\_ THREE TUMBLER, KEY CHANGING COMBINATION LOCK WITH COVER PLATE OVER LOCKING MECHANISM.
- SHELVES: \_\_\_\_\_ (2) ADJUSTABLE SHELVES ON 13mm ( $\frac{1}{2}$ " ) CENTERS.
- FINISH: \_\_\_\_\_ DOOR FRONT \_\_\_\_\_ 6mm ( $\frac{1}{4}$ " ) MILD STEEL WITH STAINLESS STEEL FINISH PLATE
- INTERIOR AND EXTERIOR OF BODY \_\_\_\_\_ PAINTED GRAY
- HANDLE \_\_\_\_\_ SATIN CHROME
- HINGES \_\_\_\_\_ STAINLESS STEEL
- COMBINATION LOCK \_\_\_\_\_ SATIN CHROME
- WEIGHT: \_\_\_\_\_ 136kg. (300 LBS.)

## OPTIONAL FEATURES QUESTIONNAIRE

- RIGHT SWING DOOR                       LEFT SWING DOOR
- COMBINATION LOCK WITH KEY LOCKING DIAL (KEY REMOVABLE IN UNLOCKED POSITION) (STANDARD)
- ELECTRONIC COMBINATION LOCK.
- SINGLE NOSE (SD STYLE) KEYLOCK
- DOUBLE NOSE (SD STYLE) KEYLOCK
- ADDITIONAL ADJUSTABLE SHELVES 31-10954-D \_\_\_\_\_ REQUIRED

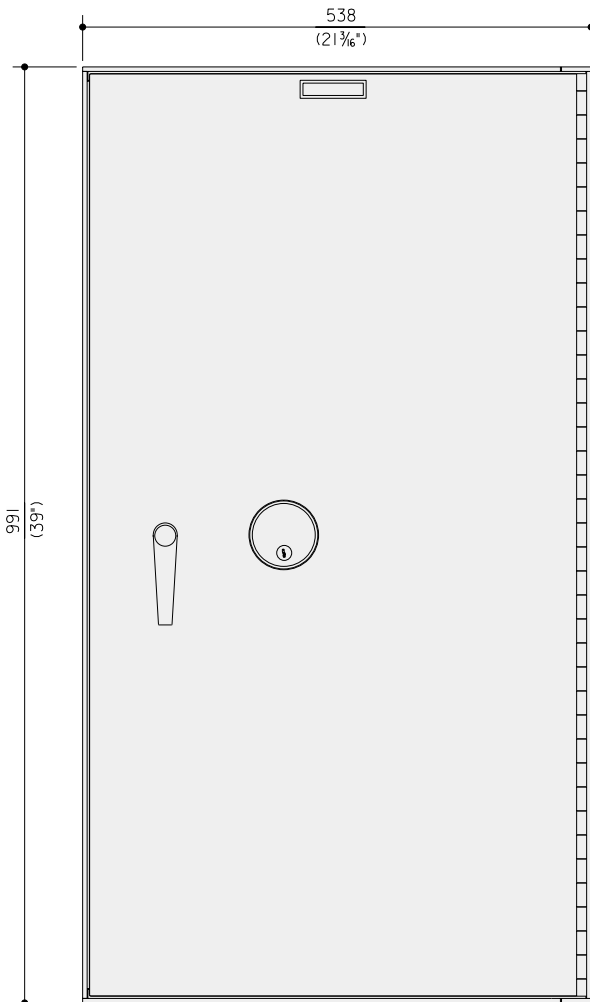
DIMENSIONS IN MILLIMETRES  
(DIMENSIONS IN INCHES)



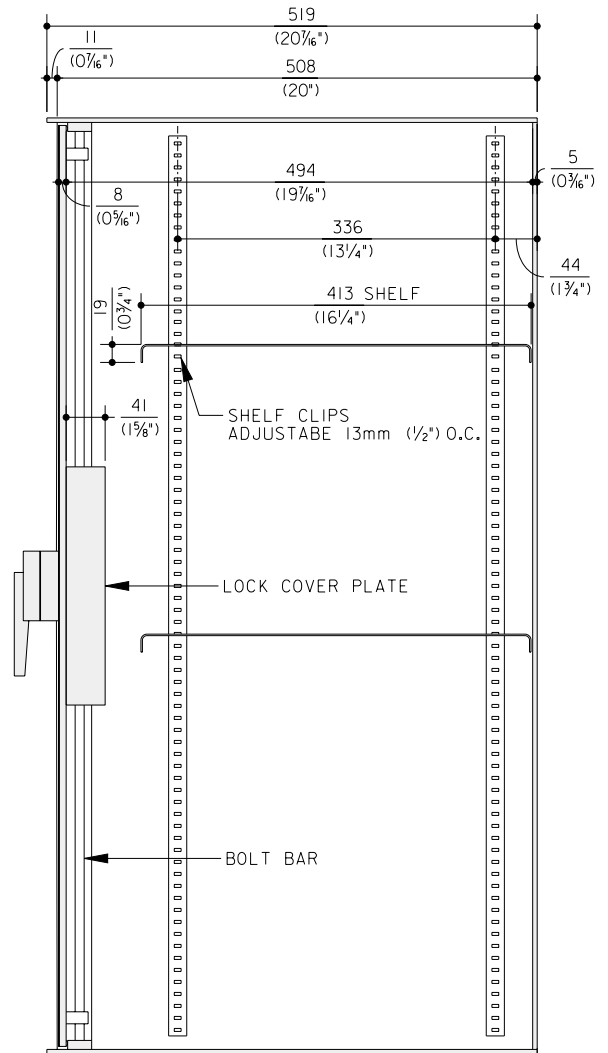
PAGE 2 OF 2

\*ALL DIMENSIONS AND DESIGN CRITERIA  
SUBJECT TO CHANGE WITHOUT NOTICE\*

FILE NO. 182-12 REV. 5



FRONT VIEW



SECTION