

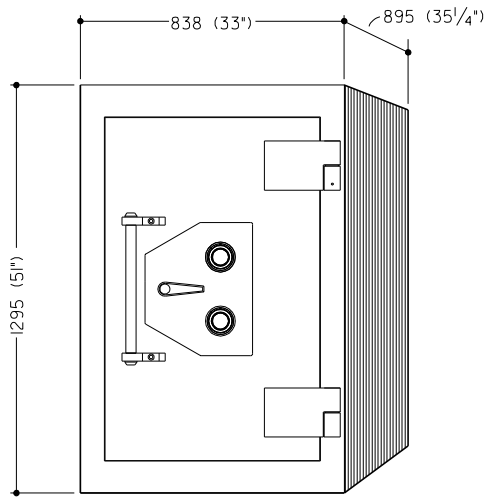
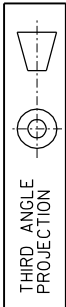
SPECIFICATIONS

1. TRTL-30 X 6 U.L. BURGLARY RATED SECURITY CHEST
2. MANUFACTURER'S 2-HOUR FIRE RATING
3. PLATINUM INTERIOR AND EXTERIOR
4. 3-NUMBER MANIPULATION RESISTANT COMBINATION LOCKS ( 2 PER SAFE )
5. 1 3/8" DIAMETER FIXED BOLTS ON HINGE SIDE OF DOOR
6. 1 3/8" DIAMETER INDEPENDENT PLATED STEEL LOCKING BOLTS ON LOCK SIDE
7. (2) GLASS TRIGGERED RE-LOCKING DEVICES
8. ADJUSTABLE SHELVES INCLUDED IN ALL MODELS ( QUANTITIES AS SHOWN BELOW )
9. STANDARD BOLT DETENT SYSTEM
10. STANDARD DRILL RESISTANT HARD PLATE

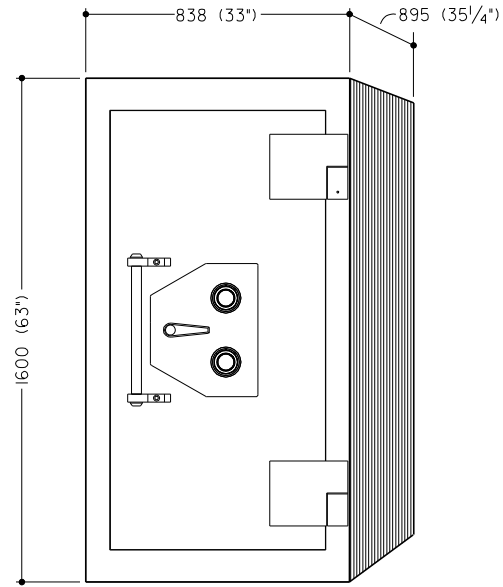
OPTIONS:

1. KEYLOCK WITH DETACHABLE KEY-BIT IN LIEU OF COMBINATION LOCK ( OR ADDED WITH COMBINATION LOCK ON MODELS 23010 AND 23011 )
2. PREPARED FOR TIMELOCK ( MUST BE FIELD INSTALLED )
3. PREPARED FOR ALARM DEVICES ( MUST BE FIELD INSTALLED )

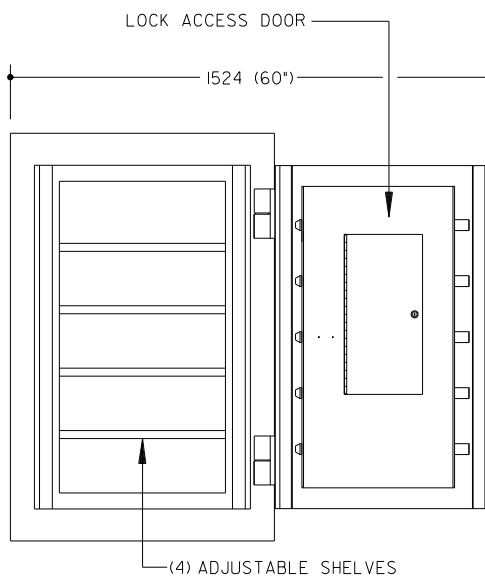
DIMENSIONS IN MILLIMETRES  
( DIMENSIONS IN INCHES )



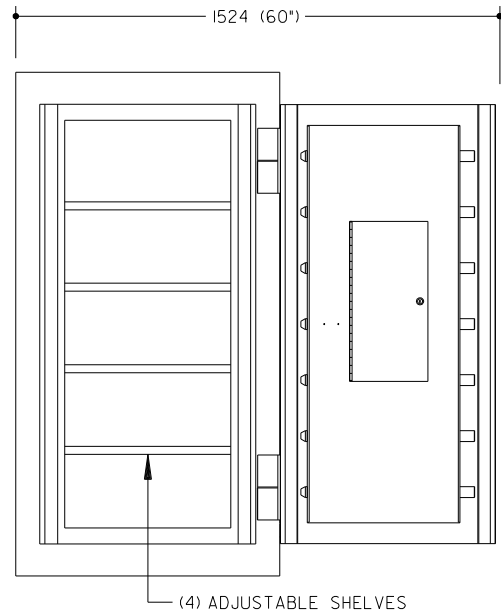
23010



23011



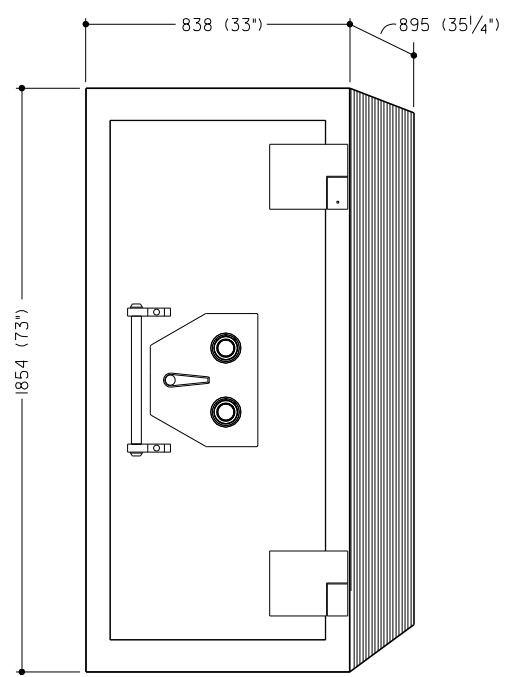
23010



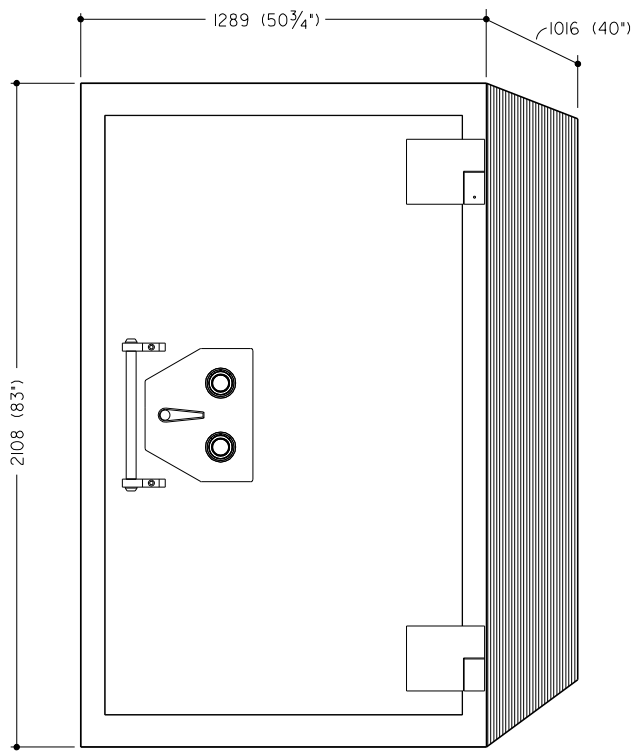
23011



THIRD ANGLE PROJECTION  
 DIMENSIONS IN MILLIMETRES  
 ( DIMENSIONS IN INCHES )

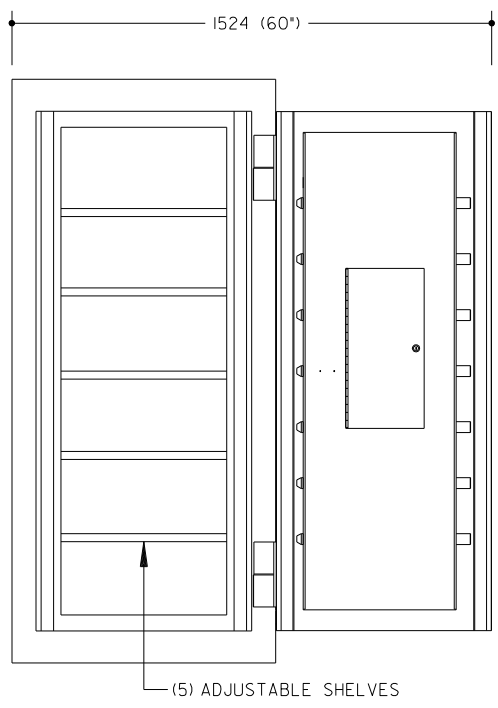


23012

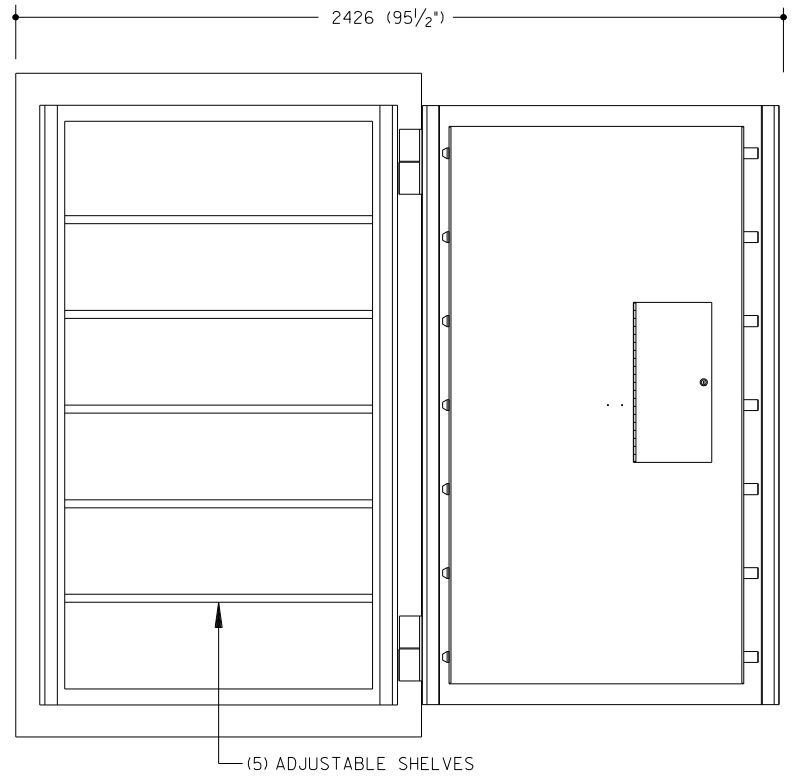


23013

\*ALL DIMENSIONS AND DESIGN CRITERIA  
 SUBJECT TO CHANGE WITHOUT NOTICE.\*



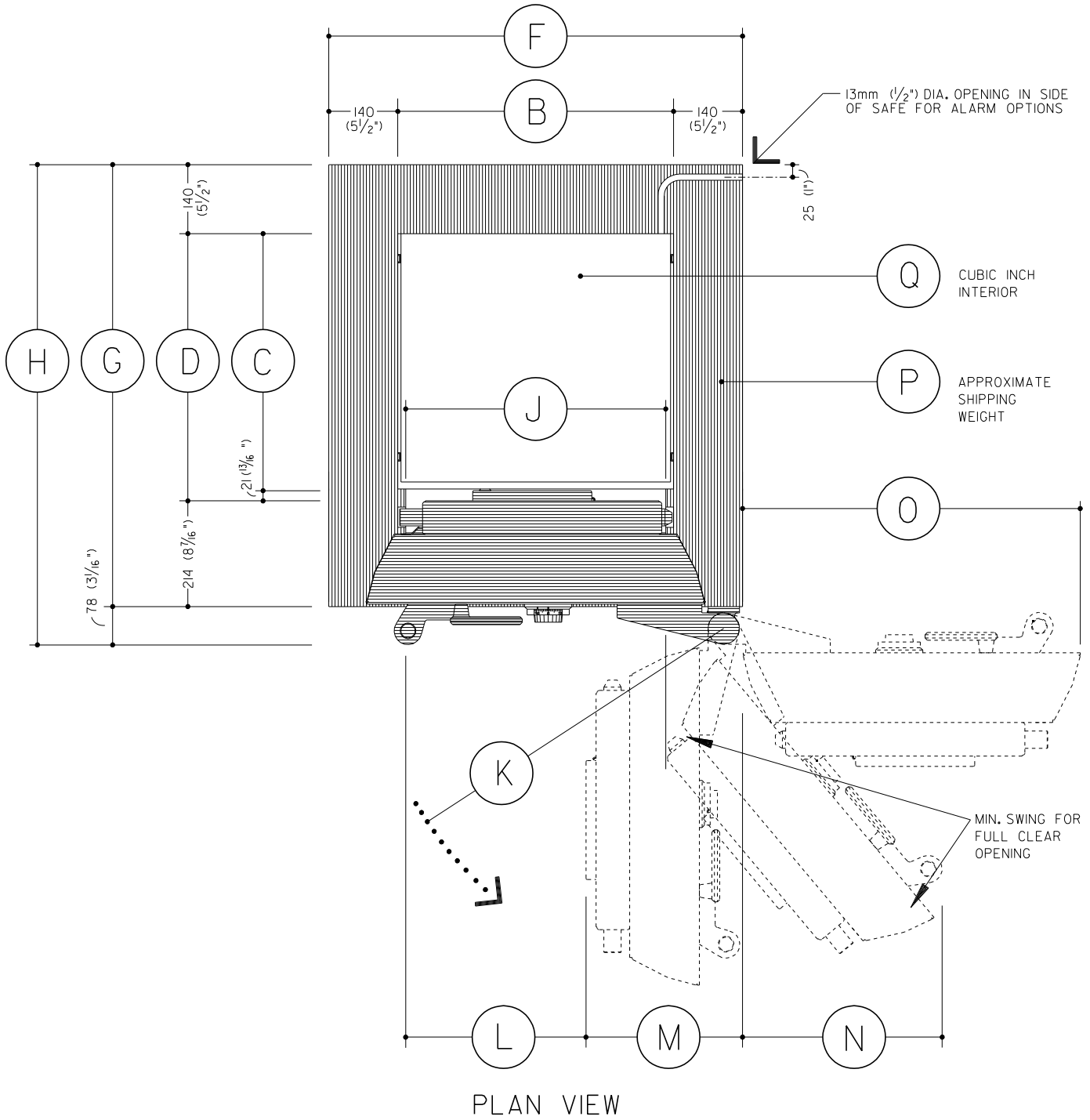
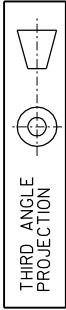
23012



23013

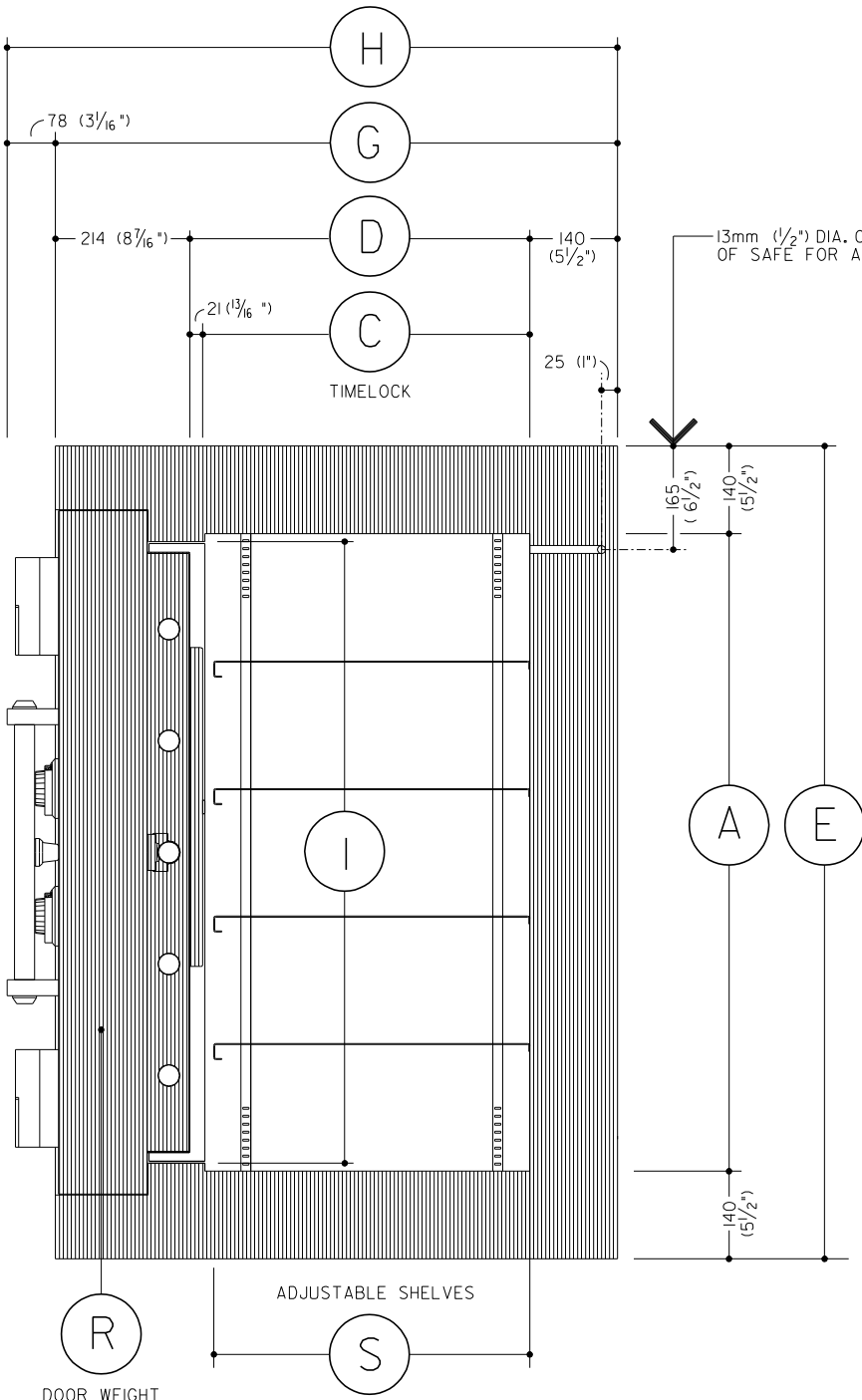
CALL 1-800-999-3600

DIMENSIONS IN MILLIMETRES  
(DIMENSIONS IN INCHES)





DIMENSIONS IN MILLIMETRES  
(DIMENSIONS IN INCHES)



	23010	23011	23012	23013
A	1016 (40")	1320 (52")	1574 (62")	1828 (72")
B	559 (22")	559 (22")	559 (22")	1009 (39 3/4")
C	521 (20 1/2")	521 (20 1/2")	521 (20 1/2")	641 (25 1/4")
D	541 (21 5/16")	541 (21 5/16")	541 (21 5/16")	661 (26 1/16")
E	1295 (51")	1600 (63")	1854 (73")	2108 (83")
F	838 (33")	838 (33")	838 (33")	1289 (50 3/4")
G	895 (35 1/4")	895 (35 1/4")	895 (35 1/4")	1016 (40")
H	973 (38 5/16")	973 (38 5/16")	973 (38 5/16")	1094 (43 1/16")
I	991 (39")	1295 (51")	1549 (61")	1804 (71")
J	527 (20 3/4")	527 (20 3/4")	527 (20 3/4")	978 (38 1/2")
K	722 (28 7/16")	722 (28 7/16")	722 (28 7/16")	1175 (46 1/4")
L	371 (14 5/8")	371 (14 5/8")	371 (14 5/8")	816 (32 1/8")
M	311 (12 1/4")	311 (12 1/4")	311 (12 1/4")	311 (12 1/4")
N	394 (15 1/2")	394 (15 1/2")	394 (15 1/2")	692 (27 1/4")
O	686 (27")	686 (27")	686 (27")	1137 (44 3/4")
P	2055 kg 4,530 LBS.	2443 kg 5,386 LBS.	2778 kg 6,125 LBS.	4463 kg 9,840 LBS.
Q	18,755 CU. IN.	24,381 CU. IN.	29,070 CU. IN.	74,590 CU. IN.
R	376 kg 830 LBS.	476 kg 1,050 LBS.	544 kg 1,200 LBS.	980 kg 2,160 LBS.
S	503 (19 13/16")	503 (19 13/16")	503 (19 13/16")	624 (24 9/16")

INCLUDES DOOR WEIGHT →