

CALL 1-800-999-3600

SPECIFICATIONS:

CHEST DOOR: 136mm (5³/₈") THICK COMPOSITE DOOR UTILIZING OUTER AND INNER STEEL PLATES ENCLOSING A HIGH DENSITY PROPRIETARY COMPOSITE MATERIAL.

CHEST BODY: MASSIVE BODY CONSTRUCTION, CONSISTING OF OUTER AND INNER STEEL PLATES ENCLOSING THE SAME COMPOSITE MATERIAL AS THE DOOR.

LOCKING MECHANISM: U.L. GROUP I ELECTRONIC COMBINATION LOCKS ARE STANDARD. A WIDE VARIETY OF ALARM AND LOCKING OPTIONS ARE AVAILABLE WITH THIS LOCK.

HANDLE ACTIVATED LOCKING MECHANISM CONSISTING OF 3 TO 5 25mm (1") CHROME STEEL LOCKING BOLTS, DEPENDING ON UNIT SIZE.

BOLT TENSIONER KEEPS LOCKING BOLTS RETRACTED IN THE OPEN POSITION.

DUAL AUXILIARY SPRING LOADED RELOCKING DEVICE, ACTIVATED BY PUNCHING ATTACK.

SOLID STEEL DEAD BARS PREVENT DOOR REMOVAL IF HINGES ARE REMOVED DURING A FORCED ENTRY ATTEMPT.

RATINGS: ALL MODELS U.L. TL30 RATED
INSURANCE SERVICES OFFICE (ISO) MERCANTILE "F"; BANK RATING "G".
MANUFACTURERS CLASS 350 2 HR. FIRE RATING.

STANDARD OPTIONS:

- DOOR SWING:** RIGHT (STANDARD) LEFT
- COLOR:** PLATINUM (STANDARD) DAWN GRAY I PLAZA GRAY BLACK

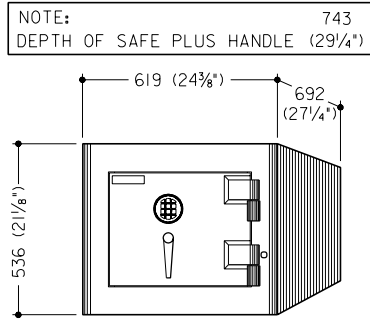
DIMENSIONS IN MILLIMETRES (DIMENSIONS IN INCHES)



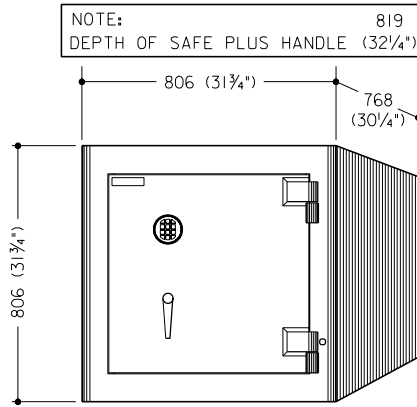
PAGE 1 OF 4

ALL DIMENSIONS AND DESIGN CRITERIA SUBJECT TO CHANGE WITHOUT NOTICE.

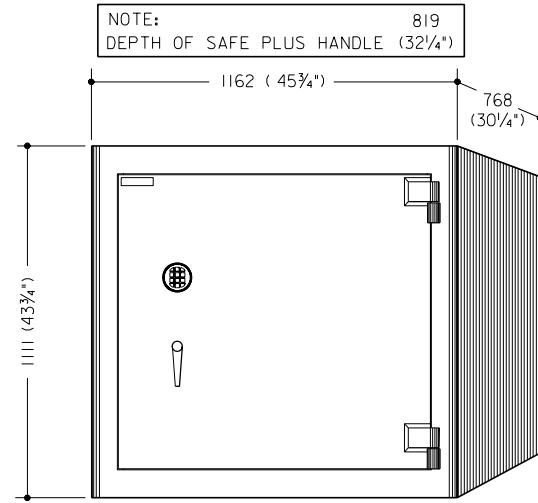
FILE NO. 173-59 REV. 2



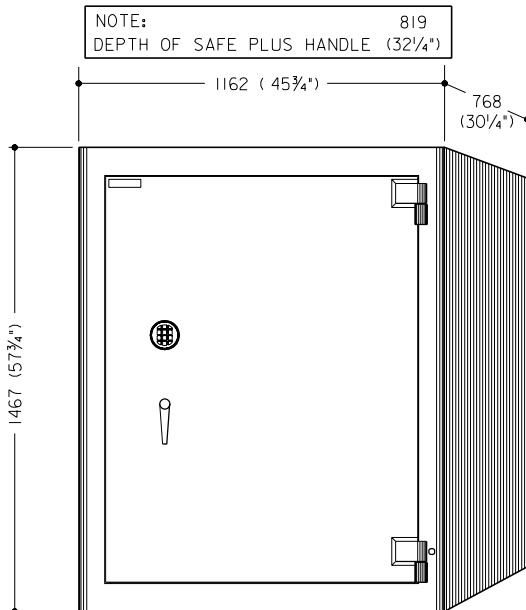
27815



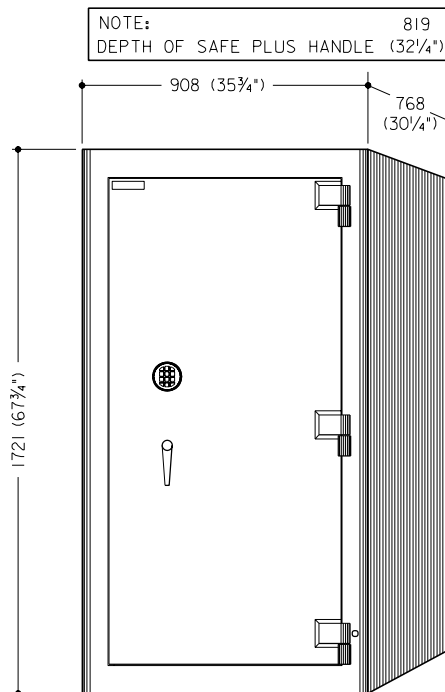
27830



27870



27875



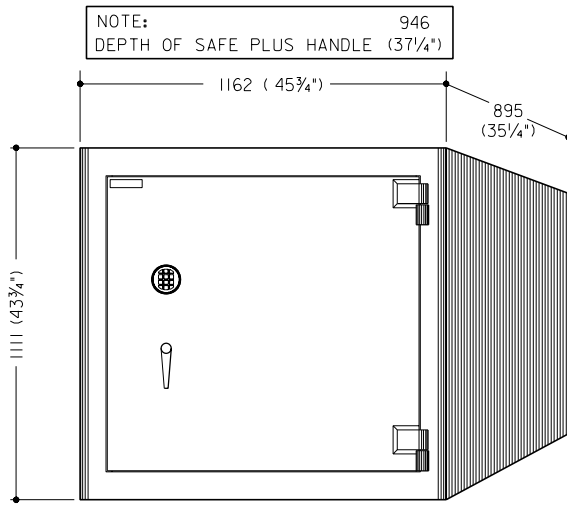
27885



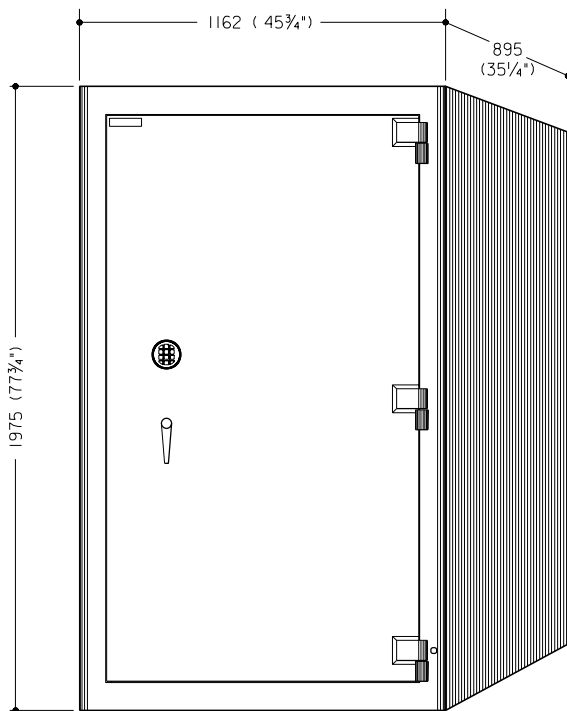
OPTIONAL EXTRAS:

- SILENT SIGNAL COMBINATION LOCK
- 144 HOUR TIMELOCK (2 MOVEMENT)
- ADJUSTABLE SHELVES (MAX. CAPACITY 100 POUNDS)
- FIXED SHELVES (MAX. CAPACITY 500 POUNDS)
- INTERIORS-FIELD INSTALLED- (SEE DATA DRAWING FILE NO. I73-56)
- FLOOR ANCHOR BOLT ASSEMBLY
- KEY LOCKING HANDLE
- ALARM PROTECTION PACKAGE-DOOR CONTACT, HEAT THERMO, VIBRATION DETECTOR (FACTORY INSTALLED)
- SEISMIC DETECTOR- (1) REQUIRED ON MODEL 27815, (2) REQUIRED ON ALL OTHER 278XX MODELS-MOUNTING PLATES AND EXIT HOLE FACTORY INSTALLED. DETECTORS FIELD INSTALLED.

DIMENSIONS IN MILLIMETRES
(DIMENSIONS IN INCHES)



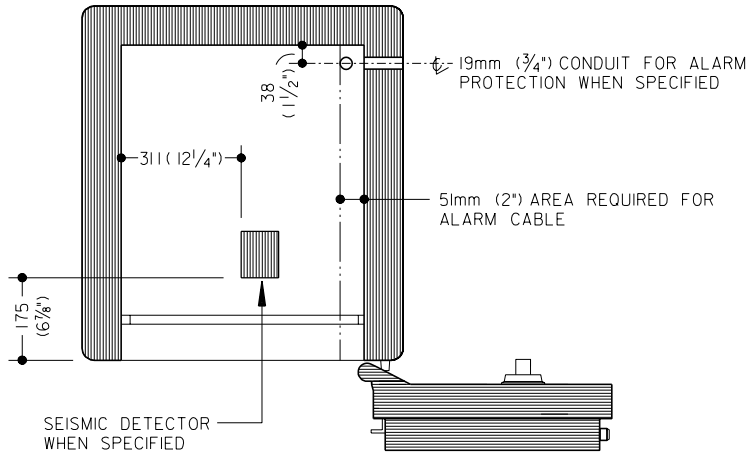
27880



27895

CALL 1-800-999-3600

DIMENSIONS IN MILLIMETRES
(DIMENSIONS IN INCHES)

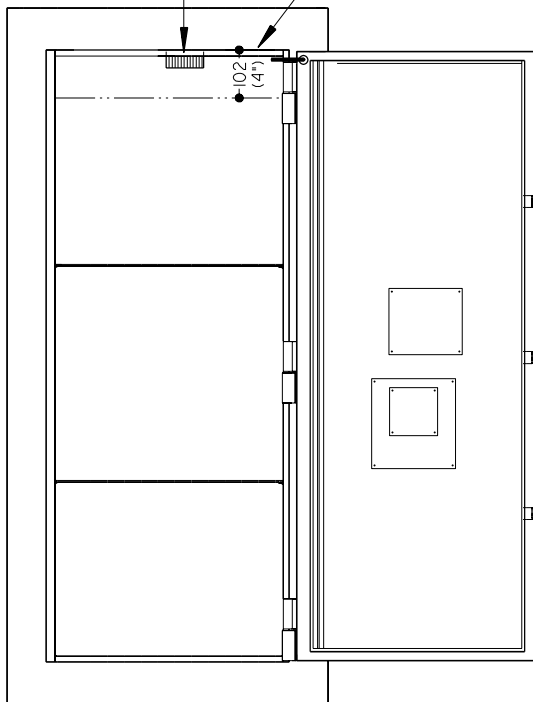


PLAN VIEW

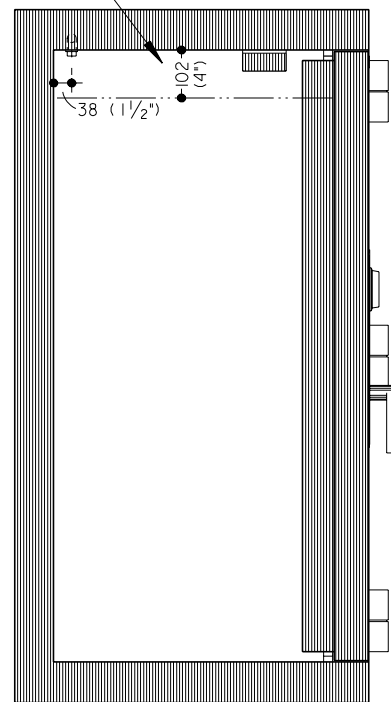
SEISMIC DETECTOR
WHEN SPECIFIED

NOTE:

AREA REQUIRED FOR SERVICING WHEN
ALARM COMPONENTS ARE SPECIFIED



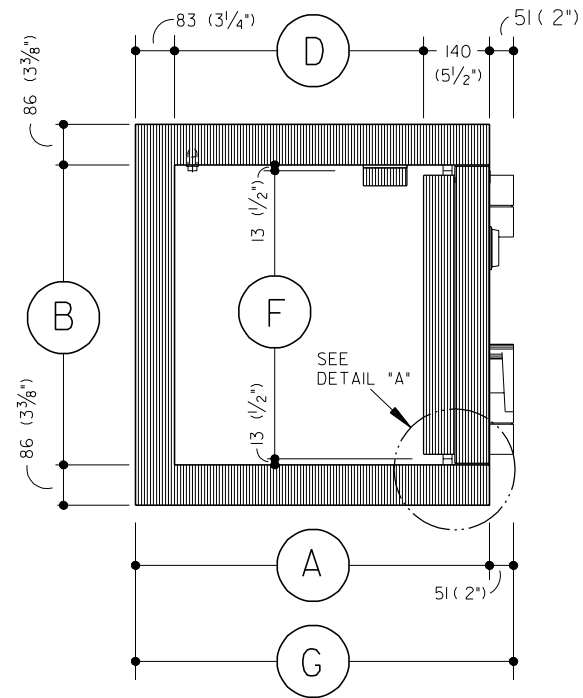
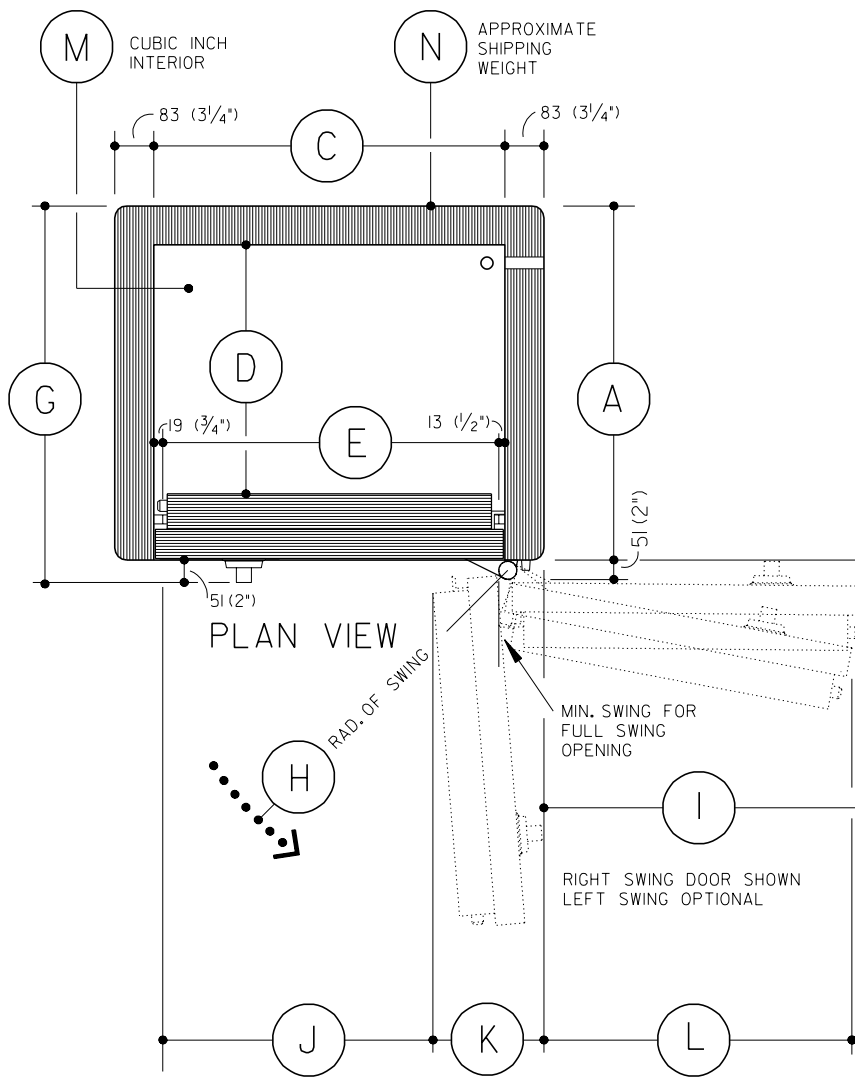
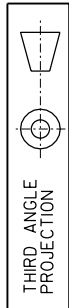
FRONT ELEVATION



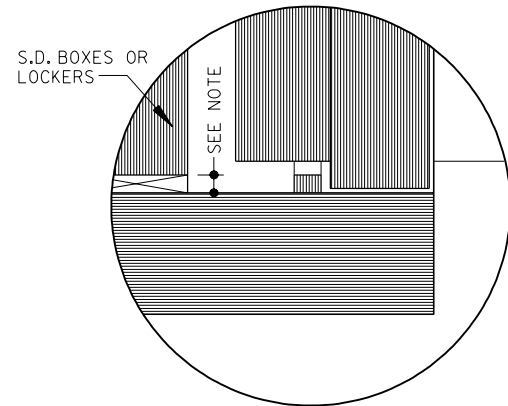
VERTICAL SECTION



DIMENSIONS IN MILLIMETRES
(DIMENSIONS IN INCHES)



VERTICAL SECTION



DETAIL "A"

NOTE:
S.D. BOXES AND LOCKERS MUST BE SHIMMED 13mm (1/2") ON BOTTOM FOR DOOR SWING CLEARANCE OF BOTTOM S.D. BOX AND LOCKER DOOR WHEN INSTALLED IN THIS CHEST LINE.

SCHEDULE

DEPTH OF SAFE PLUS SAFE HANDLE

MODEL	A	B	C	D	E	F	G	H	I	J	K	L	M _{CU. IN.}	N _{LBS.}
27815	692 (27 1/4")	365 (14 3/8")	454 (17 7/8")	470 (18 1/2")	422 (16 5/8")	340 (13 3/8")	743 (29 1/4")	457 (18")	381 (15")	287 (11 1/8")	229 (9")	366 (14 1/8")	4,754	895
27830	768 (30 1/4")	635 (25")	641 (25 1/4")	546 (21 1/2")	610 (24")	610 (24")	819 (32 1/4")	644 (25 3/8")	568 (22 3/8")	471 (18 5/8")	233 (9 3/8")	551 (21 1/8")	13,572	1,545
27870	768 (30 1/4")	940 (37")	997 (39 1/4")	546 (21 1/2")	965 (38")	914 (36")	819 (32 1/4")	1000 (39 3/8")	924 (36 3/8")	824 (32 1/8")	236 (9 3/8")	899 (35 3/8")	31,223	2,575
27875	768 (30 1/4")	1295 (51")	997 (39 1/4")	546 (21 1/2")	965 (38")	1270 (50")	819 (32 1/4")	1000 (39 3/8")	924 (36 3/8")	824 (32 1/8")	236 (9 3/8")	899 (35 3/8")	43,038	3,155
27880	895 (35 1/4")	940 (37")	997 (39 1/4")	673 (26 1/2")	965 (38")	914 (36")	946 (37 1/4")	1000 (39 3/8")	924 (36 3/8")	824 (32 1/8")	236 (9 3/8")	899 (35 3/8")	38,485	2,835
27885	768 (30 1/4")	1549 (61")	717 (28 1/4")	546 (21 1/2")	711 (28")	1524 (60")	819 (32 1/4")	746 (29 3/8")	670 (26 3/8")	571 (22 1/2")	235 (9 1/4")	649 (25 5/8")	38,361	3,175
27895	895 (35 1/4")	1803 (71")	997 (39 1/4")	673 (26 1/2")	965 (38")	1778 (70")	946 (37 1/4")	1000 (39 3/8")	924 (36 3/8")	824 (32 1/8")	236 (9 3/8")	899 (35 3/8")	73,849	4,605