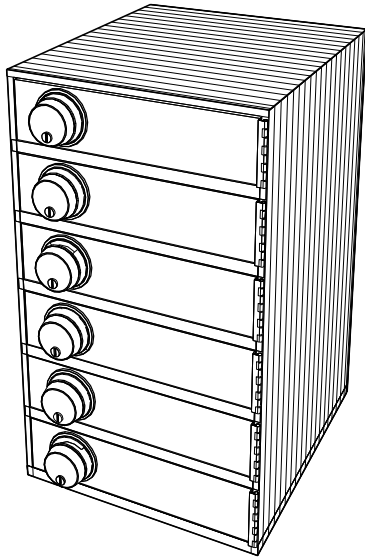
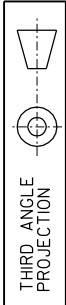
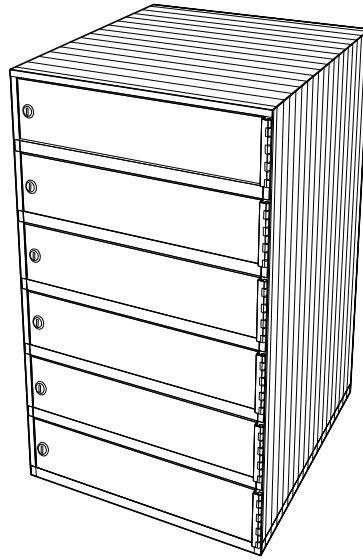


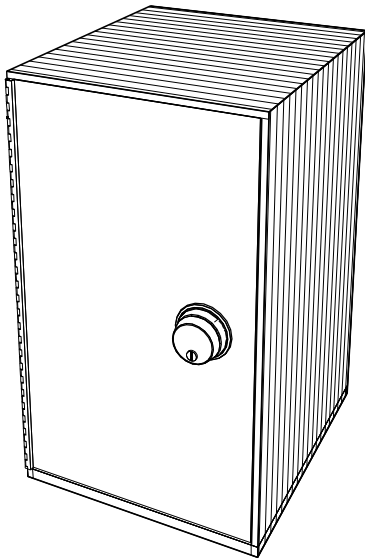
DIMENSIONS IN MILLIMETRES
(DIMENSIONS IN INCHES)



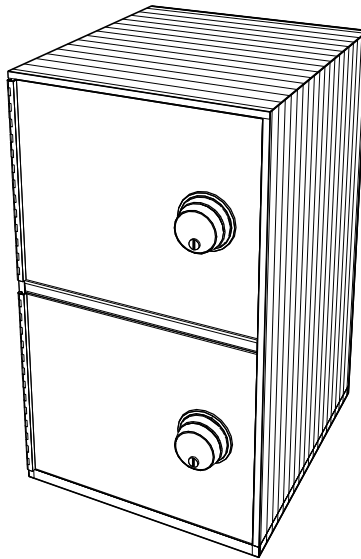
12973-B



12973-C



12974-A



12975-A

SPECIFICATIONS

1. DOUBLE WALL CONSTRUCTION FEATURING WRAP-AROUND SEAMLESS OUTER WALLS AND FULL HEIGHT INNER SIDE WALLS
2. DOUBLE WALL DOOR CONSTRUCTION
3. ENAMEL FINISH (PAINTED PLATINUM)
4. COMBINATION LOCKS OR KEYLOCKS AS INDICATED BELOW

WEIGHT

- 12973-B — 37 kg (82 LBS.)
- 12973-C — 30 kg (67 LBS.)
- 12974-A — 26 kg (58 LBS.)
- 12975-A — 28 kg (61 LBS.)

DESCRIPTION

- 12973-B — SIX COMPARTMENT LOCK-UP WITH ONE COMBINATION LOCK ON EACH DOOR
- 12973-C — SIX COMPARTMENT LOCK-UP WITH ONE NEW STYLE CORE LOCK ON EACH DOOR
- 12974-A — SINGLE COMPARTMENT LOCK-UP WITH COMBINATION LOCK AND TWO ADJUSTABLE SHELVES
- 12975-A — TWO COMPARTMENT LOCK-UP WITH COMBINATION LOCK ON EACH DOOR AND ONE SHELF PER OPENING

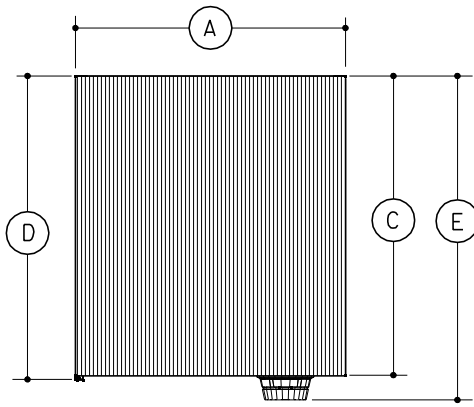
OPTIONS

- DELAY ACTION COMBINATION LOCK (GROUP 2)
- ADDITIONAL STANDARD COMBINATION LOCK
- ADDITIONAL CORE LOCK PER DOOR
- KEYLOCKING DIAL ON DOOR

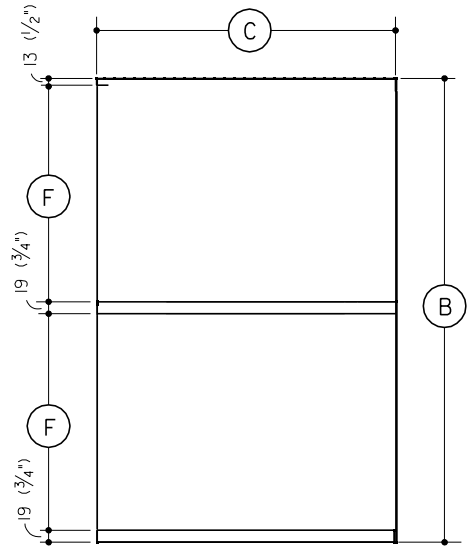
CALL 1-800-999-3600

DIMENSIONS IN MILLIMETRES
(DIMENSIONS IN INCHES)

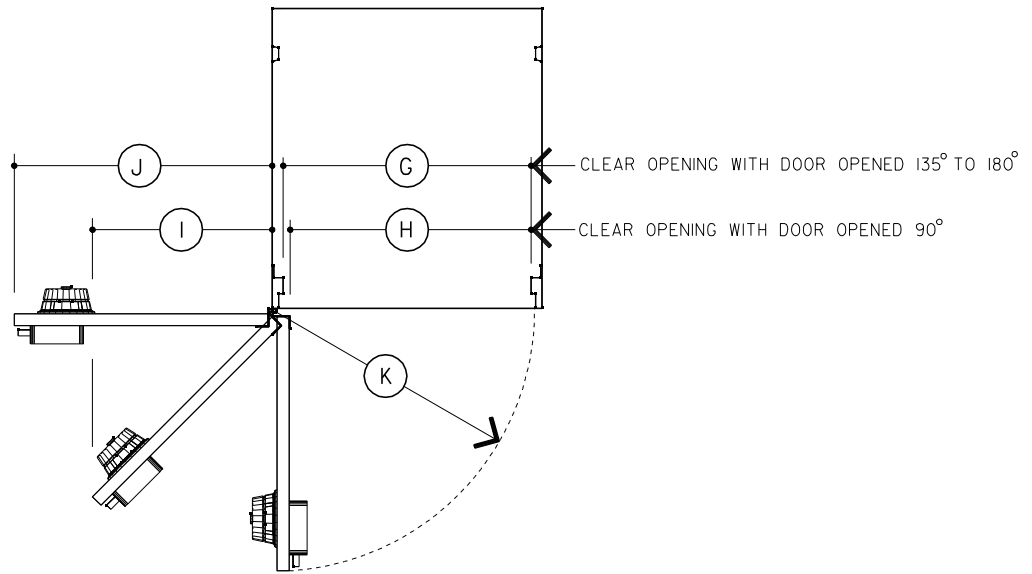
THIRD ANGLE
PROJECTION



PLAN VIEW



VERTICAL SECTION



PLAN VIEW

SCHEDULE

MODEL	A	B	C	D	E	F	G	H	I	J	K
I2973-B	429 (16 7/8")	737 (29")	476 (18 3/4")	483 (19")	518 (20 3/8")	102 (4")	397 (15 5/8")	383 (15 1/16")	286 (11 1/4")	410 (16 1/8")	413 (16 1/4")
I2973-C	429 (16 7/8")	737 (29")	476 (18 3/4")	483 (19")	479 (18 7/8")	102 (4")	397 (15 5/8")	383 (15 1/16")	286 (11 1/4")	410 (16 1/8")	413 (16 1/4")
I2974-A	429 (16 7/8")	737 (29")	476 (18 3/4")	483 (19")	518 (20 3/8")	705 (27 3/4")	391 (15 3/8")	383 (15 1/16")	286 (11 1/4")	410 (16 1/8")	413 (16 1/4")
I2975-A	429 (16 7/8")	737 (29")	476 (18 3/4")	483 (19")	518 (20 3/8")	343 (13 1/2")	391 (15 3/8")	383 (15 1/16")	286 (11 1/4")	410 (16 1/8")	413 (16 1/4")