

### PEDESTAL SPECIFICATIONS

PEDESTAL: — STANDARD UNDERCOUNTER PEDESTAL CONSTRUCTION  
 PEDESTALS HAVE UNFINISHED TOPS. PLACE PAINTED STEEL CAP (OPTIONAL EXTRA) ON TOP OF UNITS IF SPACE IS TO BE USED

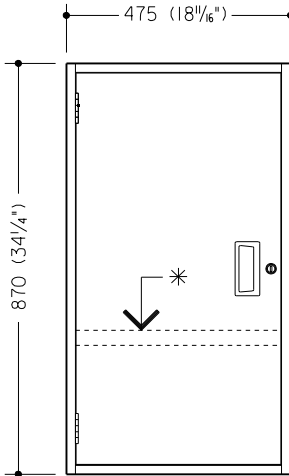
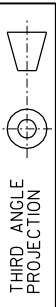
LOCK: — PER SCHEDULE  
 COLOR: — PLATINUM

\* ADJUSTABLE  
 SHELF: — SHELF CONSTRUCTED TO HOLD A 34 kg. (75 LBS.) STATIC LOAD EQUALLY DISTRIBUTED ON THE SHELF

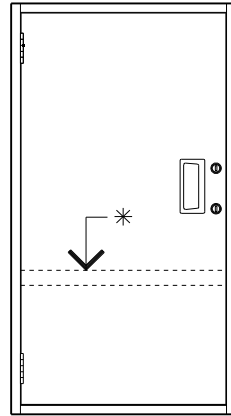
### MODEL SUFFIX DESCRIPTIONS (MODEL NO. -X-XX-X )

- R = RIGHT SWING DOOR
- L = LEFT SWING DOOR
- K = SINGLE KEY LOCK
- O2K = TWO KEY LOCKS
- W = MECHANICAL OR ELECTRONIC COMBINATION LOCK
- Y = MECHANICAL OR ELECTRONIC COMBINATION LOCK
- 77 = PLATINUM PAINTED DOOR
- Y = SHEET METAL DOOR
- W = SOLID STEEL 13mm (1/2") PLATE DOOR

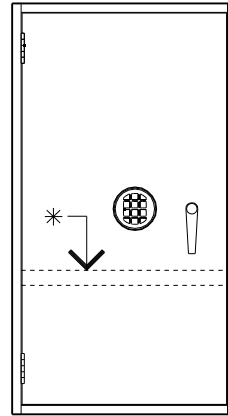
DIMENSIONS IN MILLIMETRES  
(DIMENSIONS IN INCHES)



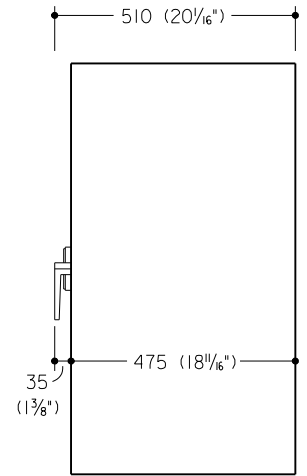
20530-L00K  
24 kg. (55 LBS.)



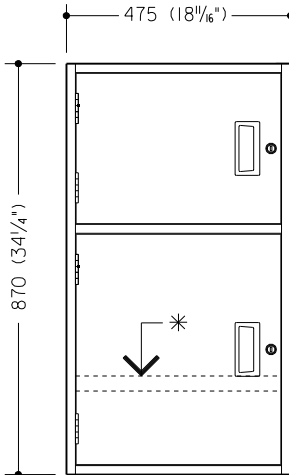
20530-L02K  
24 kg. (55 LBS.)



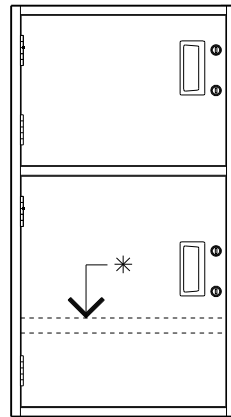
20530-L77Y  
25 kg. (56 LBS.)



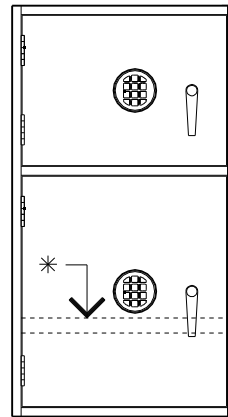
SIDE VIEW



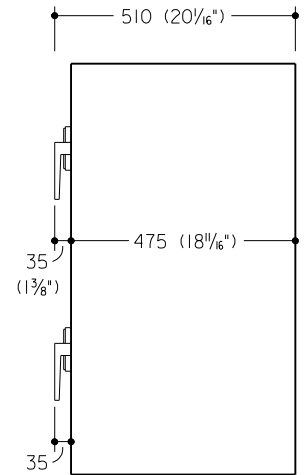
20531-L00K  
26 kg. (58 LBS.)



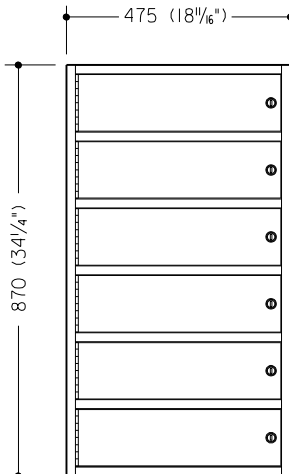
20531-L02K  
26 kg. (58 LBS.)



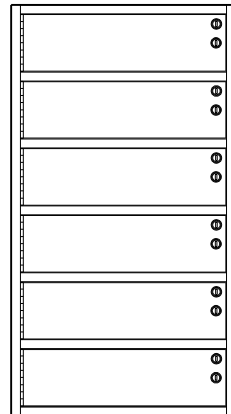
20531-L77Y  
27 kg. (60 LBS.)



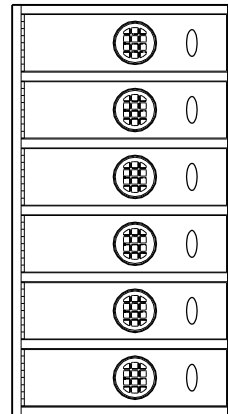
SIDE VIEW



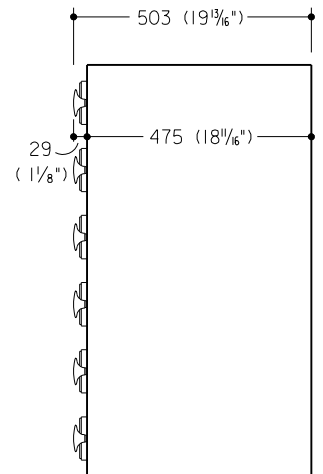
20532-L00K  
31 kg. (70 LBS.)



20532-L02K  
32 kg. (71 LBS.)



20532-L77Y  
33 kg. (73 LBS.)



SIDE VIEW



# COMPARTMENT SPECIFICATIONS

BODY AND DOOR: — STANDARD UNDERCOUNTER PEDESTAL CONSTRUCTION

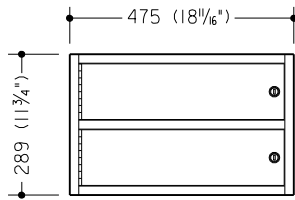
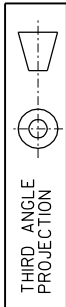
LOCK: — PER SCHEDULE

COLOR: — PLATINUM

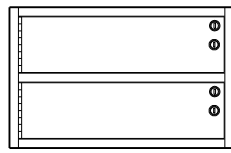
## NOTE:

MODELS 20536 AND 20537 HAVE UNFINISHED TOPS. PLACE PAINTED STEEL CAP (OPTIONAL EXTRA) ON TOP OF UNITS IF SPACE IS TO BE USED

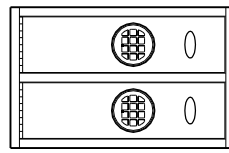
DIMENSIONS IN MILLIMETRES  
(DIMENSIONS IN INCHES)



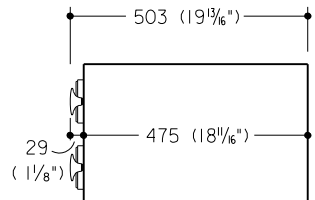
**20536-L00K**  
(2 COMPARTMENT LOCK-UP)  
11 kg. (25 LBS.)



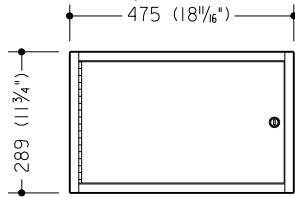
**20536-L02K**  
(2 COMPARTMENT LOCK-UP)  
11 kg. (25 LBS.)



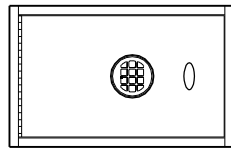
**20536-L77Y**  
(2 COMPARTMENT LOCK-UP)  
12 kg. (26 LBS.)



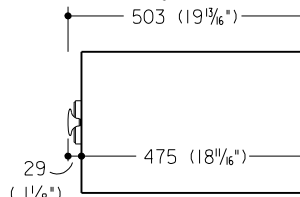
SIDE VIEW



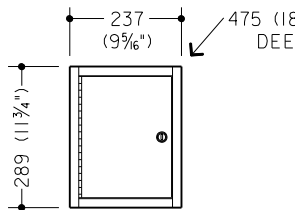
**20537-L00K**  
(LARGE MANAGER COMPARTMENT)  
10 kg. (23 LBS.)



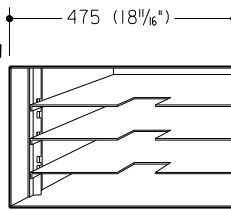
**20537-L77Y**  
(LARGE MANAGER COMPARTMENT)  
11 kg. (24 LBS.)



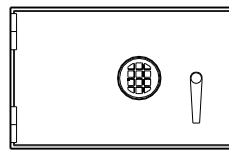
SIDE VIEW



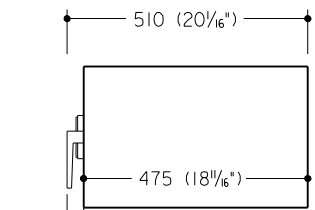
**20538-L00K**  
(SMALL MANAGER COMPARTMENT)  
7 kg. (15 LBS.)



**20533-000A**  
(RACK)  
WILL ACCOMMODATE MAX. (3) DIEBOLD CASH TRAYS  
14 kg. (30 LBS.)



**20540-L77W**  
(LOCKER)  
36 kg. (80 LBS.)

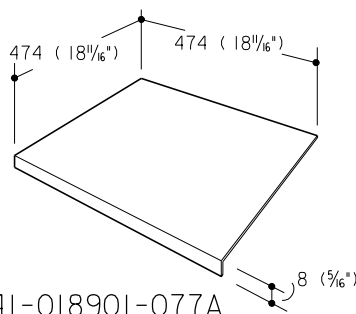


SIDE VIEW

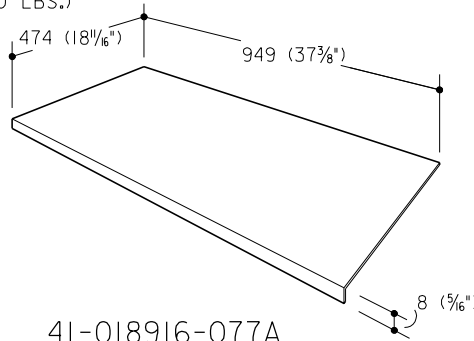
## LOCKER SPECIFICATIONS:

BODY: — 3 (1/8) STEEL  
DOOR: — 13 (1/2)  
LOCK: — PER SCHEDULE

NOTE:  
SAME CONSTRUCTION AS UNDERCOUNTER LOCKERS



**41-018901-077A**  
(SINGLE STEEL CAP)



**41-018916-077A**  
(DOUBLE STEEL CAP)

## NOTE:

THESE CAPS ARE GLUED ON IN THE FACTORY. FOR FIELD INSTALLATION, A HIGH QUALITY METAL GLUE OR HIGH STRENGTH THIN DOUBLE BACK TAPE WILL BE REQUIRED. WE DO NOT RECOMMEND WELDING THESE CAPS ON TO THE UNITS.

NOTE: INTERIOR DEPTH DIMENSIONS WERE FIGURED USING STANDARD LOCKS. DEPTH MAY VARY WITH LOCK OPTION.

MODEL	INTERIOR DIM.			EXTERIOR DIM.		
	WIDE	HIGH	DEEP	WIDE	HIGH	DEEP
20530	437 (17 3/16")	832 (32 3/4")	449 (17 1/16")	475 (18 1/16")	870 (34 1/4")	475 (18 1/16")
20532 (PER COMPARTMENT)	437 (17 3/16")	122 (4 9/16")	449 (17 1/16")	475 (18 1/16")	870 (34 1/4")	475 (18 1/16")
UPPER COMPARTMENT	437 (17 3/16")	321 (12 5/8")	449 (17 1/16")	475 (18 1/16")	870 (34 1/4")	475 (18 1/16")
LOWER COMPARTMENT	437 (17 3/16")	491 (19 3/16")				
20533 WITH (4) OPENINGS	437 (17 3/16")	75 (2 9/16")	460 (18 1/8")	475 (18 1/16")	298 (11 3/4")	475 (18 1/16")
20533 WITH (3) OPENINGS	437 (17 3/16")	98 (3 7/8")	460 (18 1/8")	475 (18 1/16")	298 (11 3/4")	475 (18 1/16")
20540	214 (8 3/16")	286 (11 1/4")	425 (16 3/4")	475 (18 1/16")	298 (11 3/4")	475 (18 1/16")
20536 (PER COMPARTMENT)	437 (17 3/16")	122 (4 9/16")	452 (17 13/16")	475 (18 1/16")	298 (11 3/4")	475 (18 1/16")
20537	437 (17 3/16")	262 (10 3/16")	452 (17 13/16")	475 (18 1/16")	298 (11 3/4")	475 (18 1/16")
20538	198 (7 13/16")	262 (10 3/16")	452 (17 13/16")	237 (9 5/16")	298 (11 3/4")	475 (18 1/16")

## LOCK OPTIONS/DOOR OPTIONS

DESIGNATION: S - STOCKED DESIGN O - AVAILABLE OPTION N.A. - NOT AVAILABLE	RIGHT HAND DOOR	LEFT HAND DOOR	KEY LOCK	TWO KEY LOCKS	MECHANICAL COMBINATION	ELECTRICAL COMBINATION
	CHEST INTERIORS					
20530 SU-1-C	S	S	O	O	O	O
20531 SU-2-2C	S	S	O	O	O	O
20532 SU-6-C	S	S	O	O	O	O
20536 2 COMPARTMENT LOCK-UP	S	S	O	O	O	O
20537 LARGE MANAGER COMPARTMENT	S	S	O	O	O	O
20538 SMALL MANAGER COMPARTMENT	S	S	S	O	O	O
20540 LOCKER	S	S	NA	NA	O	O

\*ALL DIMENSIONS AND DESIGN CRITERIA SUBJECT TO CHANGE WITHOUT NOTICE.\*

FILE NO. 173-56 REV. 6

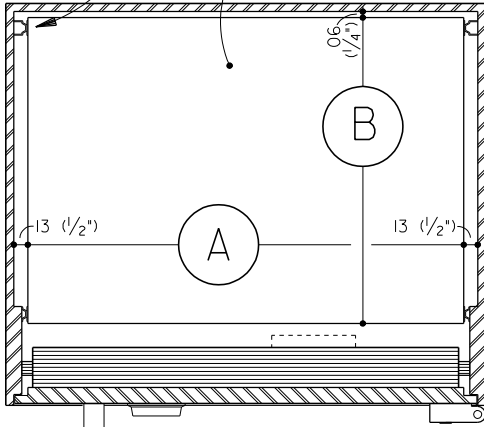
PAGE 2 OF 4

CALL 1-800-999-3600

ADJUSTABLE SHELVES

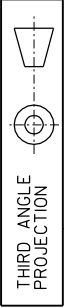
WHEN ADJUSTABLE SHELVES ARE SPECIFIED  
 (4) SHELF COLUMNS ARE PLACED IN CHEST  
 PROVIDING SINGLE SHELF PLACEMENT ON  
 $\frac{1}{2}$ " SPACING

16 GA. STEEL FORMED &  
 REINFORCED. 1" THICK  
 ON EDGE



PLAN VIEW

DIMENSIONS IN MILLIMETRES  
 ( DIMENSIONS IN INCHES )



THIRD ANGLE  
 PROJECTION

PART NO.	A	B	USED IN MODELS 271-XX 275-XX
37-1066-B	16 $\frac{1}{8}$ "	16 $\frac{1}{4}$ "	15, 25, 55
37-1066-D	23 $\frac{1}{2}$ "	18 $\frac{3}{4}$ "	30
37-1066-E	27 $\frac{1}{2}$ "	18 $\frac{3}{4}$ "	85
37-1066-Q	37 $\frac{1}{2}$ "	24 $\frac{3}{4}$ "	05, 80, 95
37-1066-R	18 $\frac{1}{2}$ "	18 $\frac{3}{4}$ "	65
37-1066-S	31 $\frac{1}{2}$ "	18 $\frac{3}{4}$ "	60
37-1066-T	37 $\frac{1}{2}$ "	18 $\frac{3}{4}$ "	70, 75, 90



FOR FACTORY INSTALLED INTERIORS USE THIS GRID TO SHOW LOCATION OF INTERIOR COMPONENTS.

**NOTE:**  
INSIDE DIMENSIONS CAN VARY 1/4" FROM NOMINAL DIMENSION. DESIGN INTERIOR TO ALLOW 5/16" SPACE FOR INTERIOR PLACEMENT.

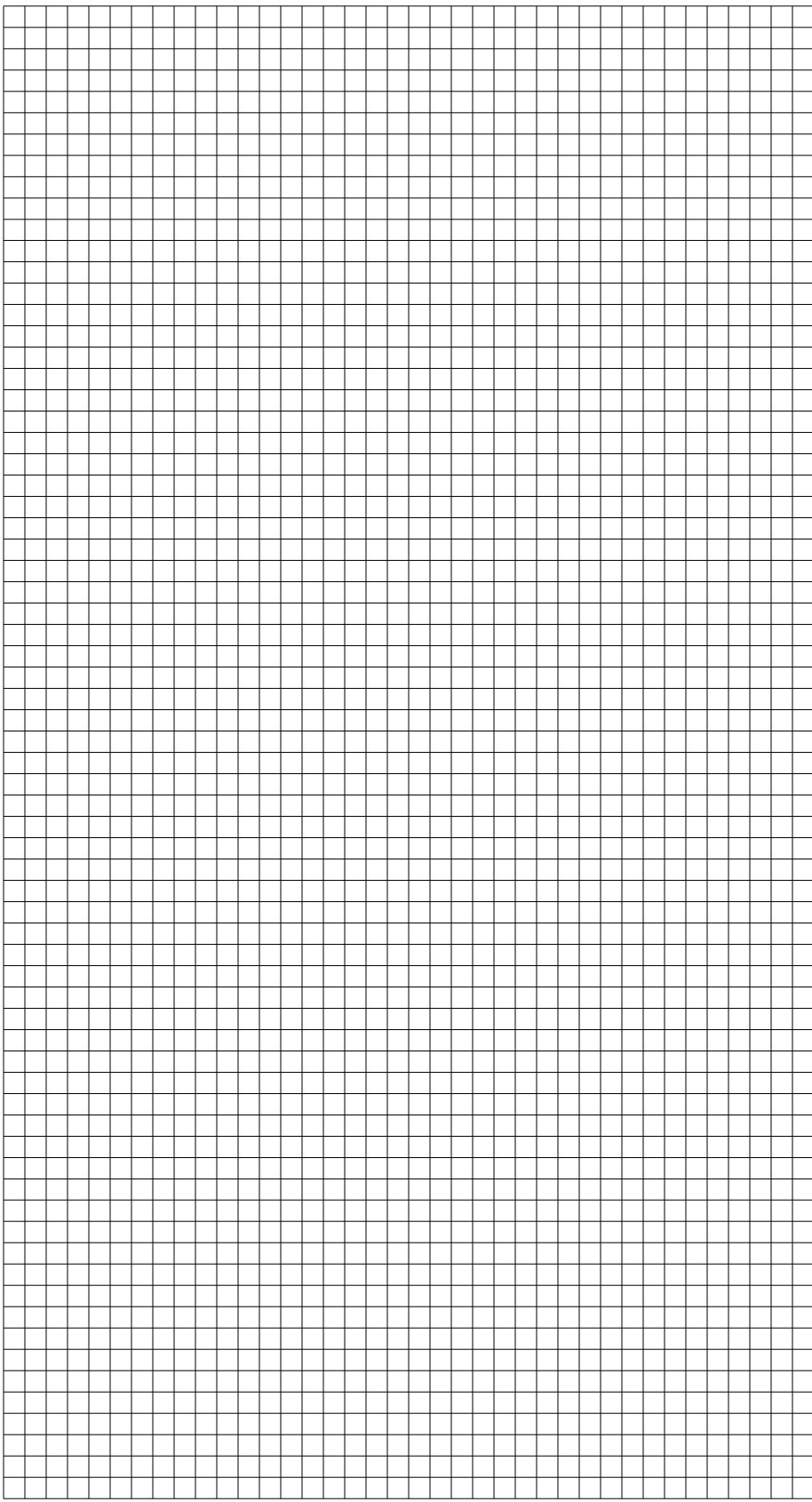
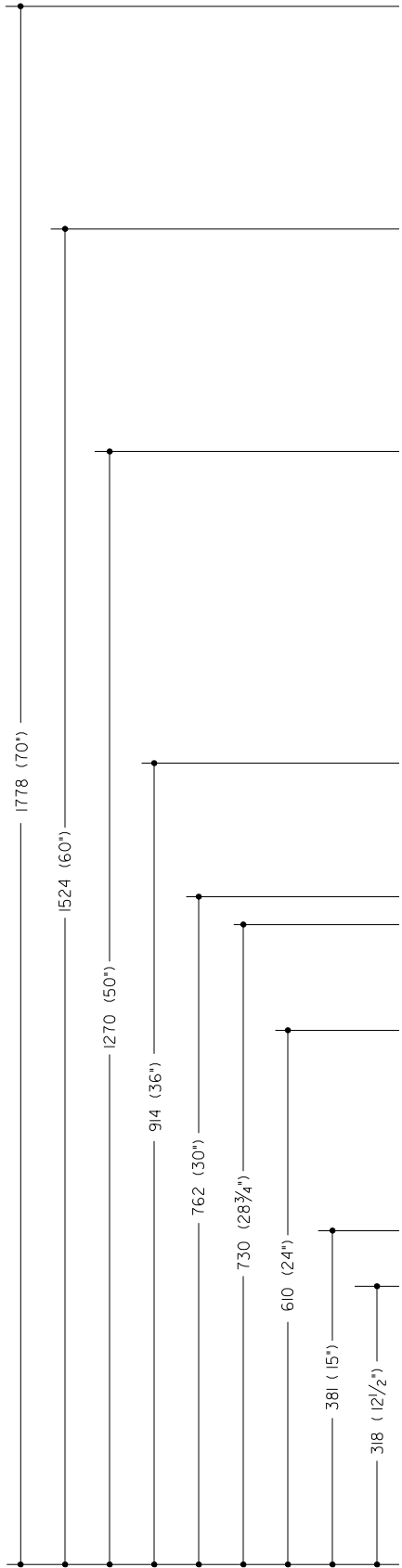
DIMENSIONS IN MILLIMETRES  
( DIMENSIONS IN INCHES )



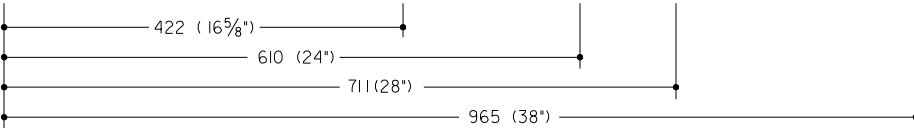
PAGE 4 OF 4

\*ALL DIMENSIONS AND DESIGN CRITERIA  
SUBJECT TO CHANGE WITHOUT NOTICE.\*

FILE NO. 173-56 REV. 6



**NOTE:**  
OUTLINE INSIDE SAFE AREA AND SKETCH IN LOCATION OF INTERIORS REQUIRED.  
LOCATE INTERIORS WITH HINGES TO CENTER OF UNIT TO ALLOW FOR MAX. SWING OF DOOR.



ELEVATION OF INTERIOR