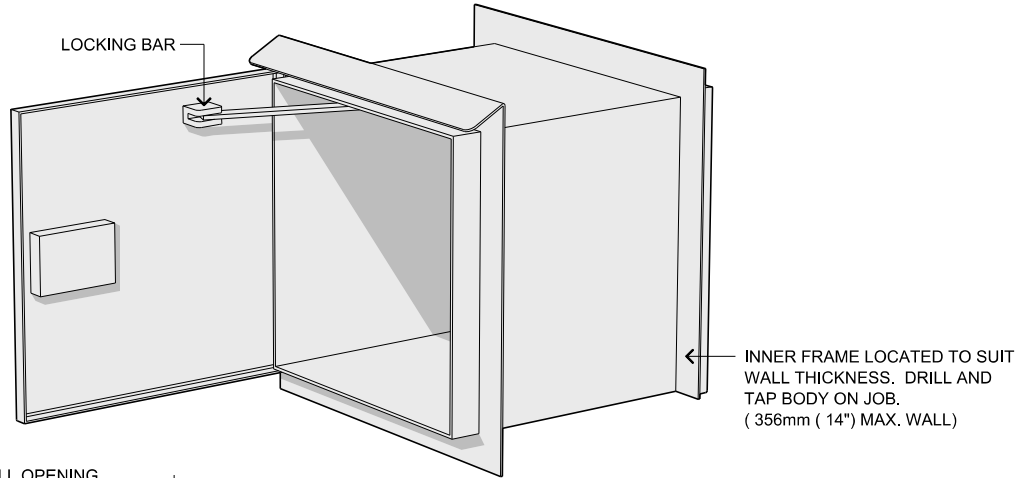


DIMENSIONS IN MILLIMETRES  
(DIMENSIONS IN INCHES)



## PERSPECTIVE

LEFT SWING (SHOWN)  
RIGHT SWING (OPTIONAL)

## SPECIFICATIONS

**BODY:** — 03mm ( 1/8") B.R. STEEL. 03mm ( 1/8") STAINLESS STEEL.  
ALL WELDED CONSTRUCTION.

**DOORS:** — INNER AND OUTER DOORS ARE LINED WITH 11GA. 2.8mm (.112")  
MIN. THICK SOLID STEEL PLATE FOR LEVEL 3 BR COMPLIANCE

**LOCKING:** — OUTER AND INNER DOOR HAVE CONNECTING BARS  
THAT PERMIT ONLY ONE DOOR TO BE IN THE OPEN  
POSITION. PADDLE LATCH ON BOTH DOORS.

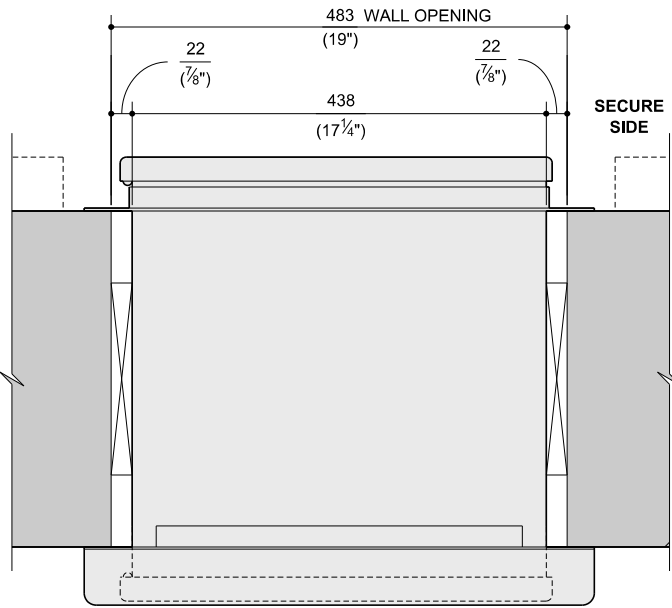
**LOCK:** — PADDLE LATCH WITH KEY LOCK (EXTERIOR DOOR).  
BRUSHED AND BRIGHT CHROME FINISH.

**FINISH:** — "A"  PRIME PAINTED THROUGHOUT  
"B"  STAINLESS STEEL EXTERIOR

**WEIGHT:** — APPROXIMATE 89.3 kg. (197 LBS.)

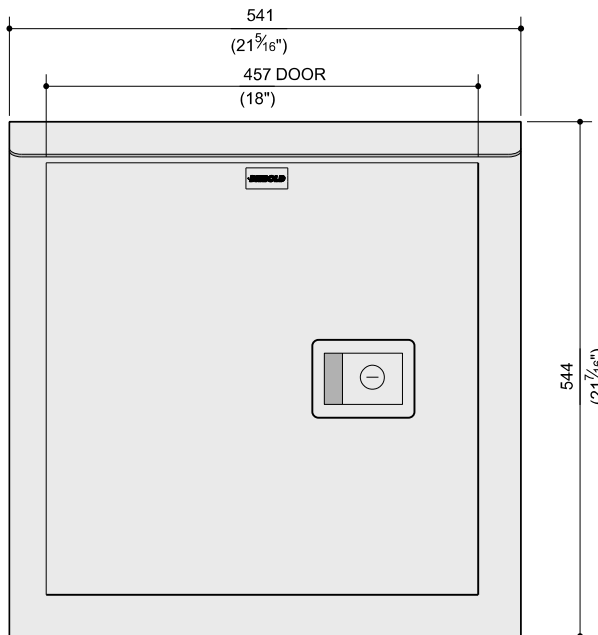


THIRD ANGLE  
PROJECTION

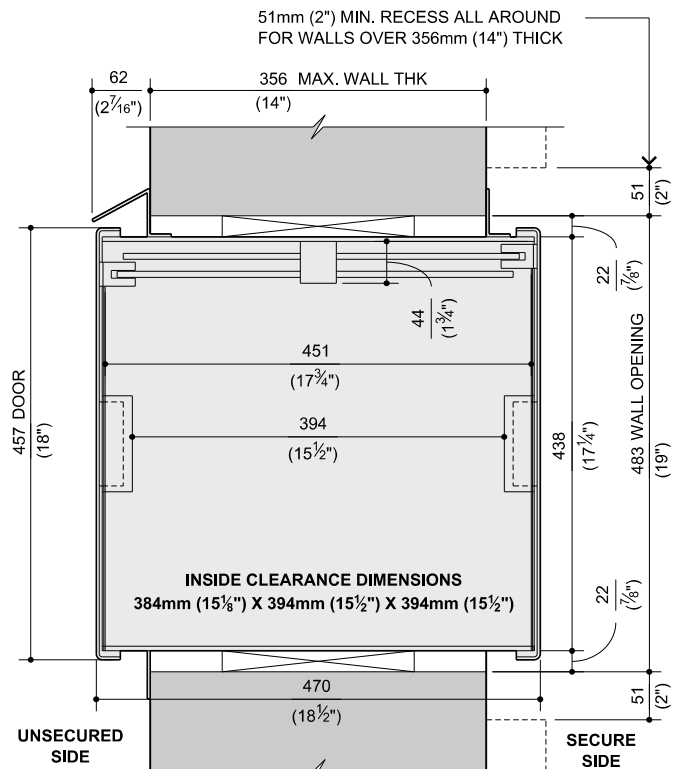


## PLAN VIEW

UNSECURED  
SIDE



## FRONT VIEW - UNSECURED SIDE



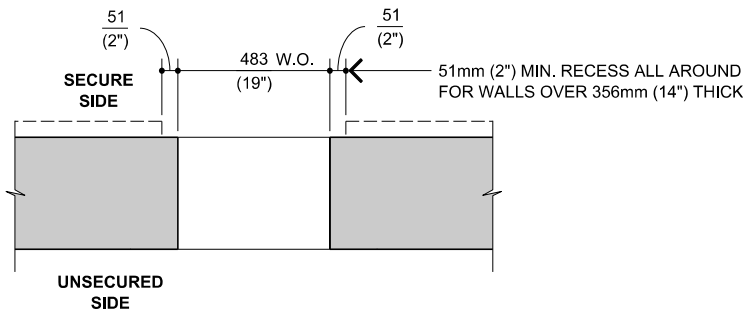
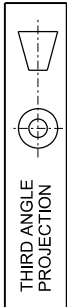
## SECTION VIEW

DIMENSIONS IN MILLIMETRES  
(DIMENSIONS IN INCHES)

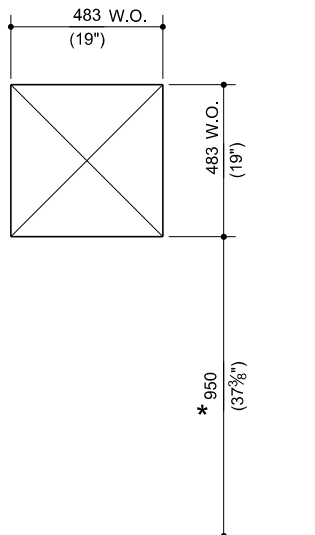
### NOTES:

VERIFY SITE CONDITIONS AND ACTUAL BUILDING DESIGN.

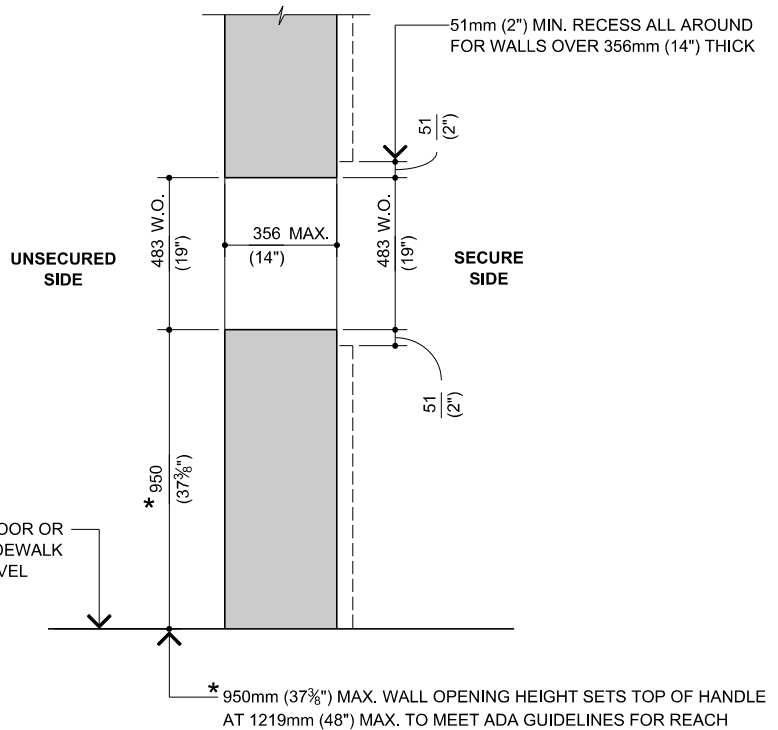
OWNER'S GENERAL CONTRACTOR TO PROVIDE WALL OPENING AS SHOWN.



**PLAN**



**ELEVATION  
UNSECURED SIDE**



**SECTION**

FOR ADA CONSIDERATIONS FOR REACH, OBSTRUCTIONS, AND APPROACH SEE DISABLED STUDY CUT SHEET FOR B.R. PACKAGE RECEIVERS.