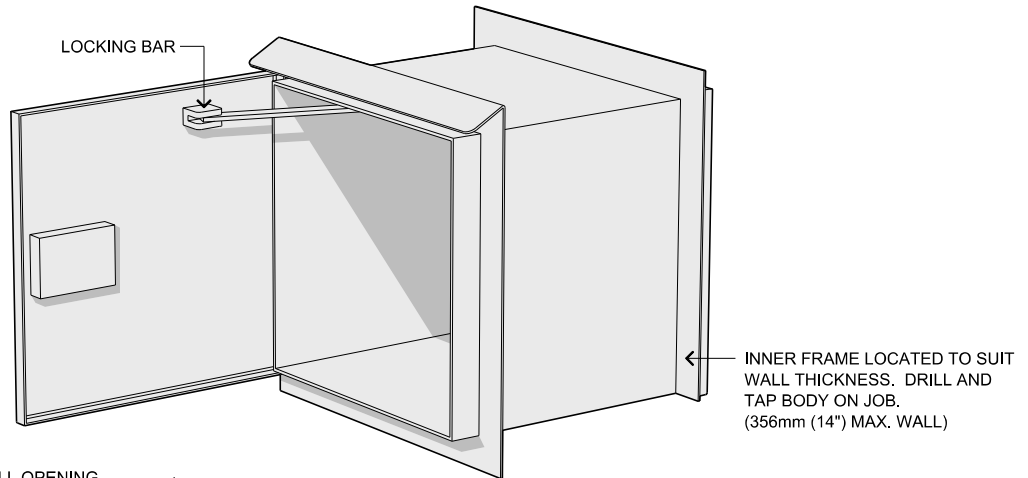


DIMENSIONS IN MILLIMETRES
(DIMENSIONS IN INCHES)

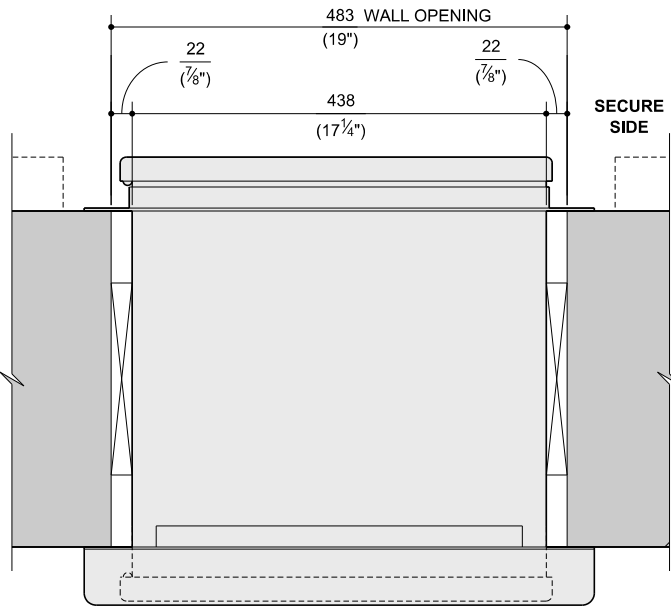


PERSPECTIVE

LEFT SWING (SHOWN)
RIGHT SWING (OPTIONAL)

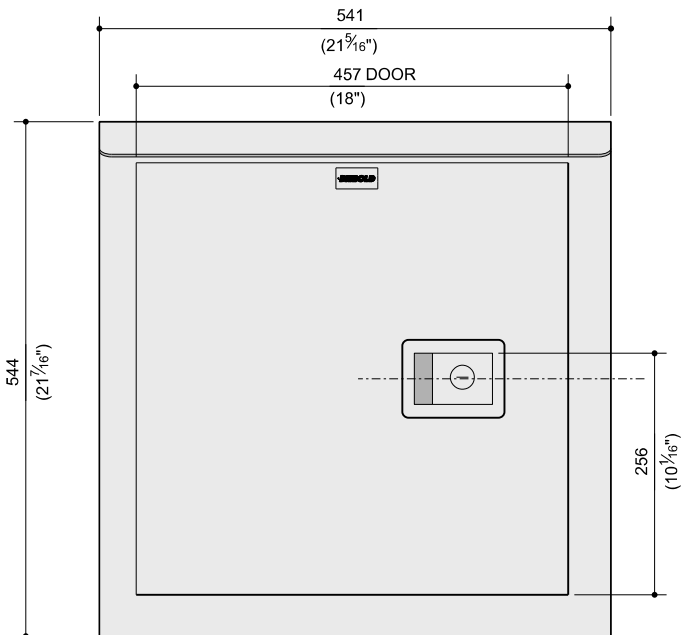
SPECIFICATIONS

- BODY:** — 3mm ($\frac{1}{8}$ ") B.R. STEEL. 3mm ($\frac{1}{8}$ ") STAINLESS STEEL. ALL WELDED CONSTRUCTION.
- LOCKING:** — OUTER AND INNER DOOR HAVE CONNECTING BARS THAT PERMIT ONLY ONE DOOR TO BE IN THE OPEN POSITION. PADDLE LATCH ON BOTH DOORS.
- LOCK:** — PADDLE LATCH WITH KEY LOCK (EXTERIOR DOOR). BRUSHED AND BRIGHT CHROME FINISH.
- FINISH:** — "A" PRIME PAINTED THROUGHOUT
"B" STAINLESS STEEL EXTERIOR
- WEIGHT:** — APPROXIMATE 79.3 kg. (175 LBS.)

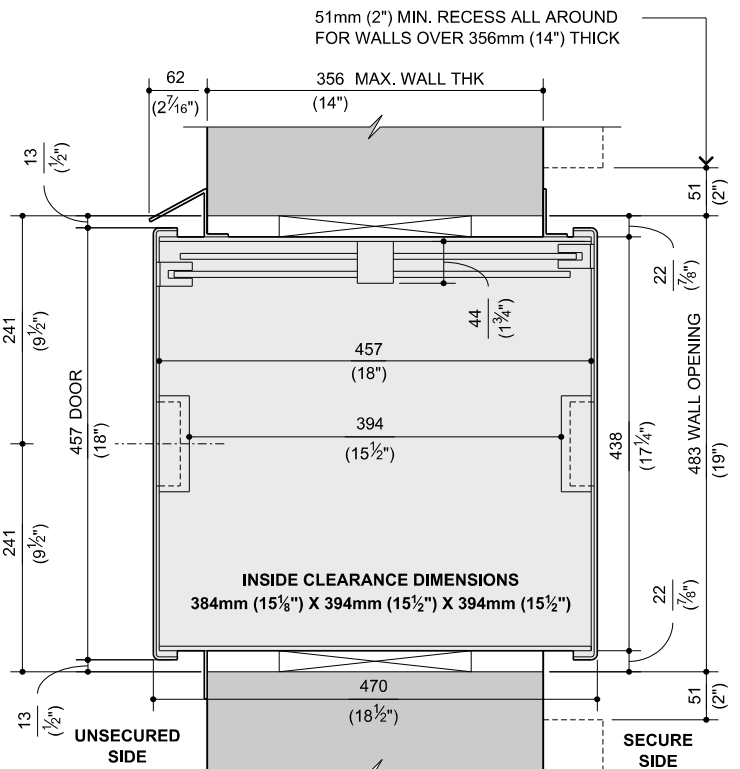


PLAN VIEW

UNSECURED SIDE



FRONT VIEW - UNSECURED SIDE



SECTION VIEW

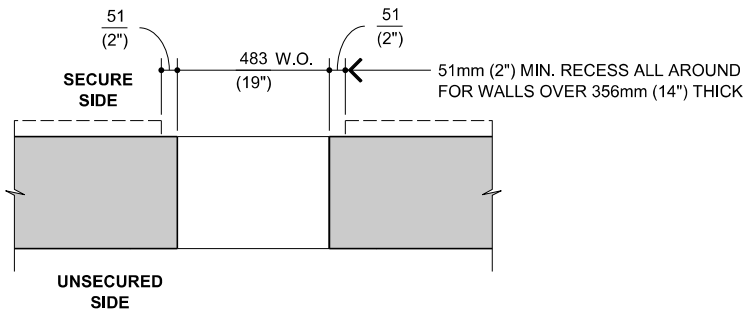
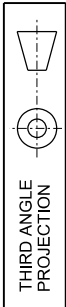
CALL 1-800-999-3600

NOTES:

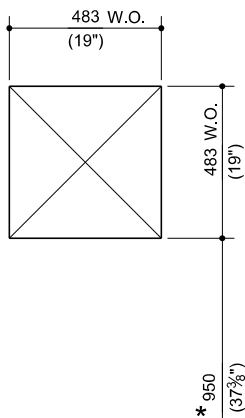
VERIFY SITE CONDITIONS AND ACTUAL BUILDING DESIGN.

OWNER'S GENERAL CONTRACTOR TO PROVIDE WALL OPENING AS SHOWN .

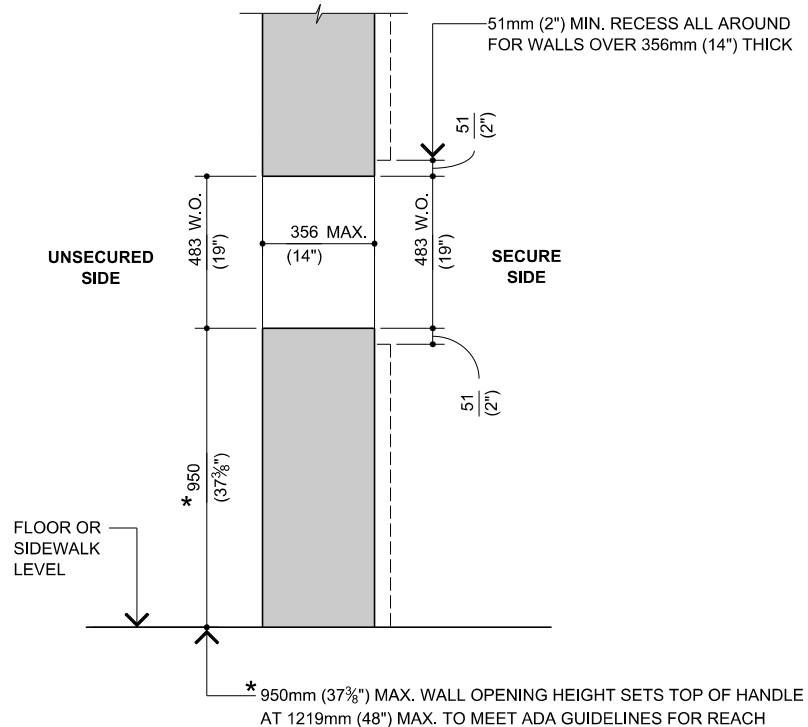
DIMENSIONS IN MILLIMETRES
(DIMENSIONS IN INCHES)



PLAN



ELEVATION UNSECURED SIDE



SECTION

FOR ADA CONSIDERATIONS FOR REACH, OBSTRUCTIONS, AND APPROACH SEE DISABLED STUDY CUT SHEET FOR B.R. PACKAGE RECEIVERS.