

L1011

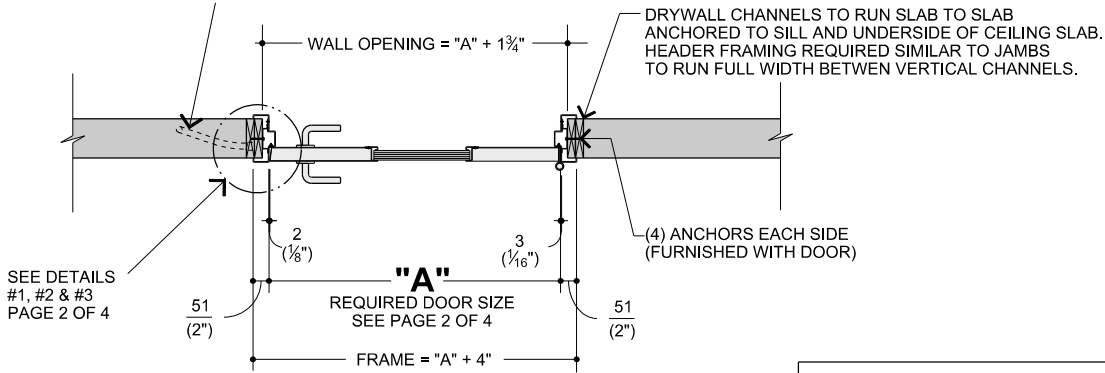
CALL 1-800-999-3600

* CONDUIT TO BE USED WHERE NECESSARY
OR TO MEET LOCAL CODES

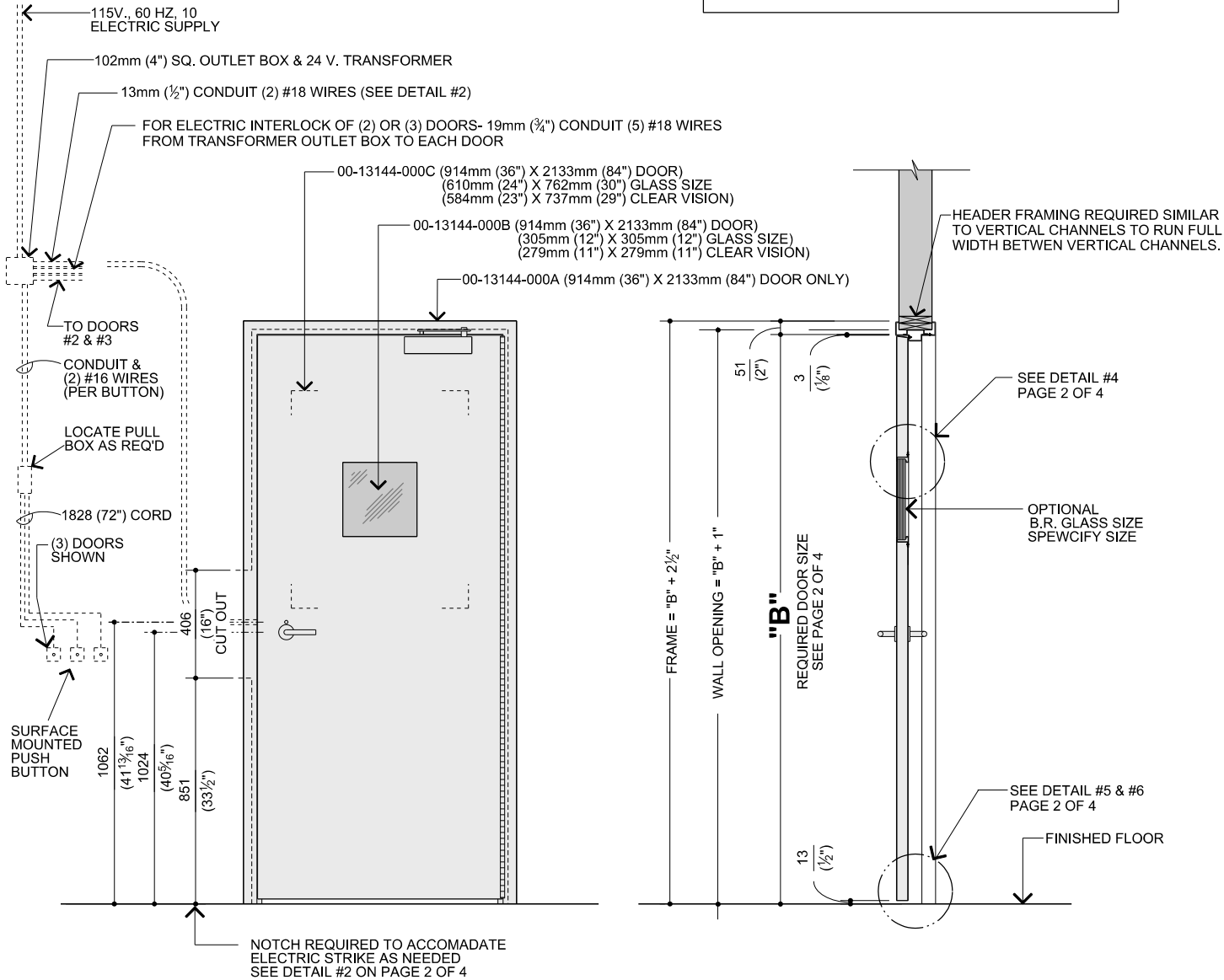
FOR ELECTRIC STRIKE, CONDUIT, WIRE, 115V. SUPPLY,
OUTLET AND PULL BOXES ARE REQUIRED AS SHOWN
(NOT FURNISHED BY DIEBOLD)

STANDARD IS LEVEL 1 DOOR
STANDARD SIZE 914mm (36") X 2133mm (84")
131-44A (00-013144-000A) DOOR ONLY
131-44B (00-013144-000B) DOOR WITH 305mm (12") X 305mm (12") GLASS
131-44C (00-013144-000C) DOOR WITH 610mm (24") X 762mm (30") GLASS
CUSTOM MODELS AND SIZES AVAILABLE AT EXTRA COST

DIMENSIONS IN MILLIMETRES
(DIMENSIONS IN INCHES)



PLAN



ELEVATION

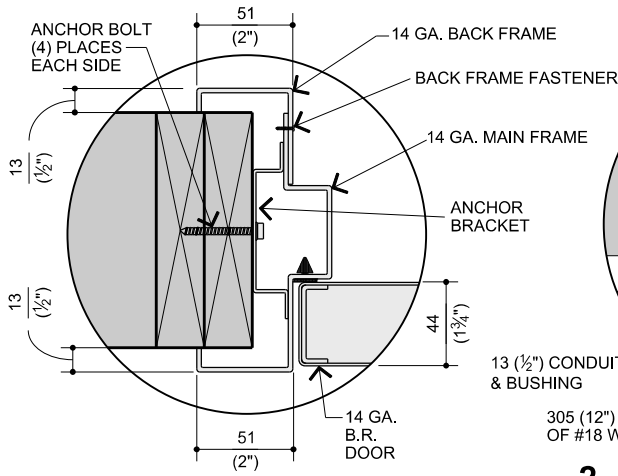
SECTION

PAGE 1 OF 4

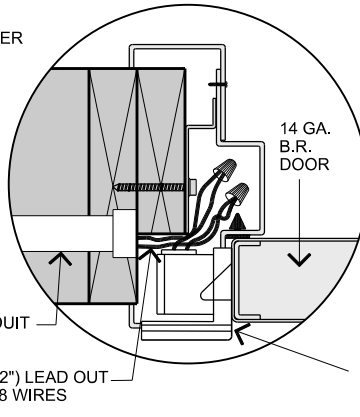
"ALL DIMENSIONS AND DESIGN CRITERIA
SUBJECT TO CHANGE WITHOUT NOTICE"

FILE NO. 174-68 REV. 0

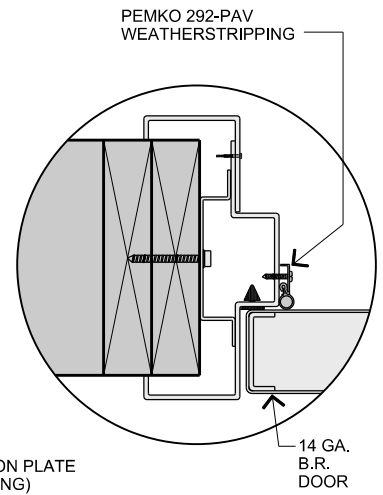
DIMENSIONS IN MILLIMETRES
(DIMENSIONS IN INCHES)



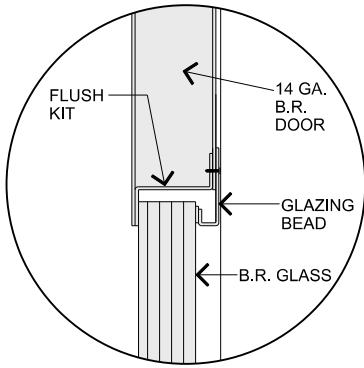
1. STANDARD



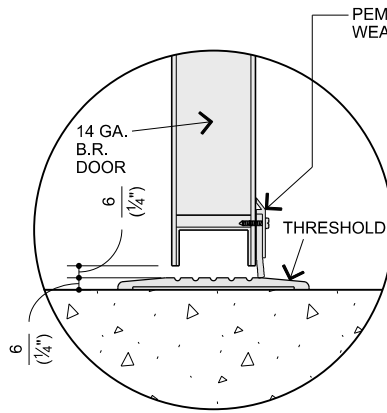
2. ELECTRIC STRIKE



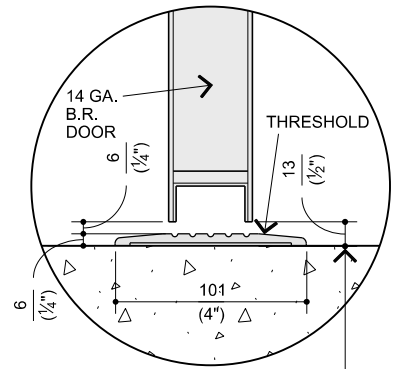
3. WEATHERSTRIPPING



4. VISION PANEL

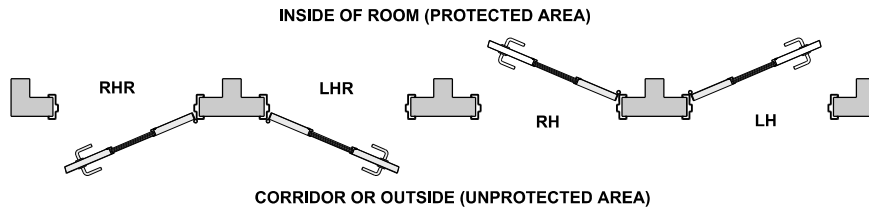


5. WEATHERSTRIPPING AT THRESHOLD



NOTE:
13mm (1/2") UNDERCUT FOR OPENINGS WITHOUT A THRESHOLD

6. THRESHOLD



DOOR SWINGS

DOOR SCHEDULE AND SPECIFICATIONS

DOOR	DOOR LOCATION OR DOOR #	DOOR SIZE		INTERIOR OR EXTERIOR WALL	WALL TYPE	WALL THK.	SWING	H'WARE SET PG. 4 OF 4	GLASS SIZE			SPECIFY OPTIONS
		"A"	"B"						131-44A NONE	131-44B 12"X12"	131-44C 24"X30"	
STANDARD DOOR LEVEL 1		914mm (36")	2133mm (84")	<input type="checkbox"/> INTERIOR WALL <input type="checkbox"/> EXTERIOR WALL	<input type="checkbox"/> METAL/WOOD STUD <input type="checkbox"/> MASONRY/CMU							
CUSTOM (EXTRA COST)												

131-44 BULLET RESISTIVE (B.R.) DOORS & FRAME CLAMP-ON STYLE

B.R. DOOR AND FRAME SPECIFICATIONS

DOOR CONSTRUCTED OF 14 GA BULLET RESISTIVE STEEL ON EXTERIOR 14 GA, INTERIOR, VERTICAL, STIFFENERS ON 152mm (6") CENTERS.

DOOR FRAMES CONSTRUCTED OF 14 GA BULLET RESISTIVE STEEL.

BULLET RESISTIVE GLASS VISION PANEL. STANDARD SIZE GLASS 305mm (12") X 305mm (12")
CUSTOM SIZES AVAILABLE AT EXTRA COST. DOORS FURNISHED FACTORY-GLAZED.

FINISH PRIME (DOOR AND FRAME INSTALLED BY OTHERS).

CUSTOM SIZES AVAILABLE AT EXTRA COST. MAXIMUM DOOR SIZE 1218mm (60") X 2438mm (120") (EXTRA COST)

HARDWARE SPECIFICATIONS:

HINGES: PEMKO CFM83-HD1 HEAVY DUTY CONTINUOUS HINGE

LOCKS: HEAVY DUTY MORTISE TYPE, FED SPEC. 86 SERIES LEVERS, LOCK FRONT, STRIKE AND LATCHBOLT. (RUSSWIN)

LOCK FUNCTION:

- A. LATCHBOLT RETRACTED BY LEVERS OR INSIDE (SECURED AREA) AND BY KEY OR OUTSIDE (PUBLIC AREA)
OUTSIDE LEVERS ALWAYS RIGID. INSIDE LEVER ALWAYS FREE, AUXILIARY LATCH (ANTI-PICK DEVICE)
DEADLOCKS, LATCHBOLT, USE IN CONJUNCTION WITH STANDARD 124mm(4⁷/₈") ASA FRAME.
- B. THE LATCHBOLT IS RETRACTED BY LEVERS ON INSIDE (SECURED AREA) AND BY KEY ON OUTSIDE (PUBLIC AREA)
AT ALL TIMES. OUTSIDE LEVERS ALWAYS RIGID, INSIDE LEVERS ALWAYS FREE, AUXILIARY LATCH (ANTI-PICK DEVICE)
DEADLOCKS LATCHBOLT. USE IN CONJUNCTION WITH ELECTRIC STRIKE RELEASE WHICH IS ACTIVATED BY
DEPRESSING PUSHBUTTON.
- C. LATCHBOLT IS RETRACTED BY KEY FROM EITHER SIDE BOTH LEVERS RIGID, AUXILIARY LATCH (ANTI-PICK DEVICE)
DEADLOCKS, LATCHBOLT, USE IN CONJUNCTION WITH ELECTRIC STRIKE RELEASE WHICH IS ACTIVATED BY D
DEPRESSING PUSHBUTTON.

"NORMAL SWING" PUSHING THE DOOR FROM OUTSIDE WHEN ELECTRIC STRIKE IS ACTIVATED WILL OPEN DOOR.

"REVERSE LEVEL SWING" PULLING THE OUTSIDE LEVER AND PUSHING THE DOOR FROM INSIDE WHEN ELECTRIC STRIKE IS ACTIVATED WILL OPEN.

"CLOSER: FULL RACK AND PINION, ALUMINUM, NON-HANDED FOR REGULAR OR PARALLEL MOUNTING, YALE 4400-PA 689-HD.

"ELECTRIC STRIKE: 24 VOLT A.C. OPERATION (FOLGER-ADAM)

SECURE OPERATION: STRIKE S "UNLOCKED" ONLY WHEN POWER IS APPLIED. THIS PROVIDES HIGHEST LEVEL OF SECURITY; HOWEVER, IT MAY BE IN CONFLICT WITH LOCAL FIRE CODES.
NOTED AS "S"

FAIL-SAFE OPERATION: POWER IS ON CONTINUOUSLY TO MAINTAIN STRIKE IN LOCKED CONDITION, LOSS OF POWER UNLOCKS STRIKE. THIS SHOULD MEET LEVEL OF SECURITY
NOTED AS "FS"

TRANSFORMER: 24 VOLT A.C. 1.28 AMPS SECURITRON BPS-12/24-1 (ONE PER DOOR)

PUSH BUTTON: RECESS MOUNTING SECURITRON PB4N-2 (ONE PER DOOR)

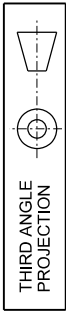
GENERAL NOTES:

1. FOR EXTERIOR AND INTERIOR REVERSE BEVEL (SWING OUT) DOORS WITH AN ELECTRIC STRIKE, A SPECIAL LOCK FRONT WITH LATCH PROTECTION PLATE WILL BE FURNISHED (SEE DRAWING)
REVERSE BEVEL DOORS RECOMMENDED FOR SECURITY TRAPS WITH INTERLOCKING DOORS.
2. FOR EXTERIOR DOORS, ADD GALVANEAL COATING FOR RUST PROOFING.
3. LOCKSET ML2057 HAS RIGID LEVERS X CYLINDER OUTSIDE (PUBLIC SIDE) AND OPERABLE LEVERS INSIDE (SECURED SIDE).
4. LOCKSET ML 2032 HAS RIGID LEVERS X CYLINDER BOTH SIDES.

OPTIONS:

1. ANY MANUFACTURERS STANDARD MORTISE TYPE CYLINDER CAN BE USED TO OPERATE THE LOCKSET, IF CYLINDER OTHER THAN STANDARD ARE REQUIRED TO SUIT A MASTER KEY, THEY SHOULD BE FURNISHED BY HARDWARE DISTRIBUTOR FURNISHING THE REMAINDER OF THE HARDWARE ON THE BUILDING INDICATE AS "LESS" CYLINDER AFTER LOCK DESIGNATION.
2. LOCKS CAN BE FURNISHED WITH LEVERS ON INSIDES ONLY, INDICATE AS "LESS OUTSIDE" LEVER.
3. GUNPORT LOCATED IN GLASS WINDOW, (00-013132-004) (EXTRA COST).
4. LOUVER IN LOWER PORTION OF DOOR, 660mm (26") X 610mm (24") MAXIMUM SIZE, (EXTRA COST)
5. PEEP HOLE LOCATED O DOOR, NO GLASS WINDOW REQUIRED, (00-13133-004) EXTRA COST.
6. PANIC DEVICE LOCATED ON THE INSIDE OF ROOM SIDE, (00-13134-004) (EXTRA COST)
7. VOICE PORT LOCATED IN GLASS WINDOW, (00-0135-004) (EXTRA COST)

DIMENSIONS IN MILLIMETRES
(DIMENSIONS IN INCHES)



THIRD ANGLE
PROJECTION

DIMENSIONS IN MILLIMETRES
(DIMENSIONS IN INCHES)



HARDWARE SET #1
PART #31-019009-000B

FOR INTERIOR DOORS WITH ASA STRIKE (SEE LOCK FUNCTION "A")

QTY	MANUFACTURER	DESCRIPTION
1	PEMCO	CONTINUOUS HINGE CFM83-HD1
1	CORBIN-RUSSWIN	MORTISE LOCKSET ML2057 RWA 626
1	YALE	CLOSER 4400-PA 689-HD
3	ROCKWOOD	DOOR SILENCER 608

HARDWARE SET #2S
PART #31-019010-000B (SECURE)

FOR INTERIOR DOORS WITH ELECTRIC STRIKE (SEE LOCK FUNCTION "B")

HARDWARE SET #2FS
PART #31-019011-000B (FAIL SAFE)

QTY	MANUFACTURER	DESCRIPTION
1	PENKO	CONTINUOUS HINGE CFM83-HD1
1	FOLGER ADAM	ELECTRIC-STRIKE 712-75-24D-630-NFS LBMLCM
1	CORBIN-RUSSWIN	MORTISE LOCKSET ML2057 RWA 626
1	YALE	CLOSER 4400-PA 689-HD
3	ROCKWOOD	DOOR SILENCER 608
1	SECURITRON	TRANSFORMER BPS-12/24-1
1	SECURITRON	PUSH BUTTON PB4N-2

HARDWARE SET #3
PART #31-019012-000B

FOR EXTERIOR DOORS WITH THRESHOLD AND ASA STRIKE (SEE LOCK FUNCTION "A")

QTY	MANUFACTURER	DESCRIPTION
1	PEMCO	CONTINUOUS HINGE CFM83-HD1
1	CORBIN-RUSSWIN	MORTISE LOCKSET ML2057 RWA 626
1	YALE	CLOSER 4400-PA 689-HD
1	PEMCO	THRESHOLD 270A36'
1	PEMCO	WEATHERSTRIP 292PAV3684
1	PEMCO	DOOR SWEEP 18062 36'
1	PEMCO	DRIP CAP
1	DON JO	LATCH GUARD
3	ROCKWOOD	DOOR SILENCER 608

HARDWARE SET #4S
PART #31-019013-000B (SECURE)

FOR EXTERIOR DOORS WITH ELECTRIC STRIKE (SEE LOCK FUNCTION "B")

HARDWARE SET #4FS
PART #31-019014-000B (FAIL SAFE)

QTY	MANUFACTURER	DESCRIPTION
1	PEMCO	CONTINUOUS HINGE CFM83-HD1
1	FOLGER ADAM	ELECTRIC-STRIKE 712-75-24D-630-NFS LBMLCM
1	CORBIN-RUSSWIN	MORTISE LOCKSET ML2057 RWA 626
1	YALE	CLOSER 4400-PA 689-HD
1	PEMCO	THRESHOLD 270A36'
1	PEMCO	WEATHERSTRIP 292PAV3684
1	PEMCO	DOOR SWEEP 18062-36'
3	ROCKWOOD	DOOR SILENCER 608
1	SECURITRON	TRANSFORMER BPS-12/24-1
1	SECURITRON	PUSH BUTTON PB4N-2
1	PEMCO	DRIP CAP
1	DON JO	LATCH GUARD

HARDWARE SET #5S
PART #31-019015-000B (SECURE)

FOR INTERIOR (INTERLOCKING) DOORS WITH ELECTRIC STRIKE (SEE LOCK FUNCTION "C")

HARDWARE SET #5FS
PART #31-019016-000B (FAIL SAFE)

QTY	MANUFACTURER	DESCRIPTION
1	PEMCO	CONTINUOUS HINGE CFM83-HD1
1	FOLGER ADAM	ELECTRIC-STRIKE 712-75-24D-630-NFS LBMLCM
1	CORBIN-RUSSWIN	MORTISE LOCKSET ML2032 RWA 626
1	YALE	CLOSER 4400-PA 689-HD
3	ROCKWOOD	DOOR SILENCER 608
1	SECURITRON	TRANSFORMER BPS-12/24-1
1	SECURITRON	PUSH BUTTON PB4N-2

HARDWARE SET #6S
PART #31-019017-000B (SECURE)

FOR EXTERIOR (INTERLOCKING) DOORS WITH THRESHOLD AND ELECTRIC STRIKE (SEE LOCK FUNCTION "C")

HARDWARE SET #6FS
PART #31-019018-000B (FAIL SAFE)
MAXIMUM TWO DOORS

QTY	MANUFACTURER	DESCRIPTION
1	PEMCO	CONTINUOUS HINGE CFM83-HD1
1	FOLGER ADAM	ELECTRIC-STRIKE 712-75-24D-630-NFS LBMLCM
1	CORBIN-RUSSWIN	MORTISE LOCKSET ML2032 RWA 626
1	YALE	CLOSER 4400-PA 689-HD
1	PEMCO	THRESHOLD 270A36'
1	PEMCO	WEATHERSTRIP 292PAV3684
1	PEMCO	DOOR SWEEP 18062-36'
3	ROCKWOOD	DOOR SILENCER 608
1	SECURITRON	TRANSFORMER BPS-12/24-1
1	SECURITRON	PUSH BUTTON PB4N-2
1	PEMCO	DRIP CAP
1	DON JO	LATCH GUARD