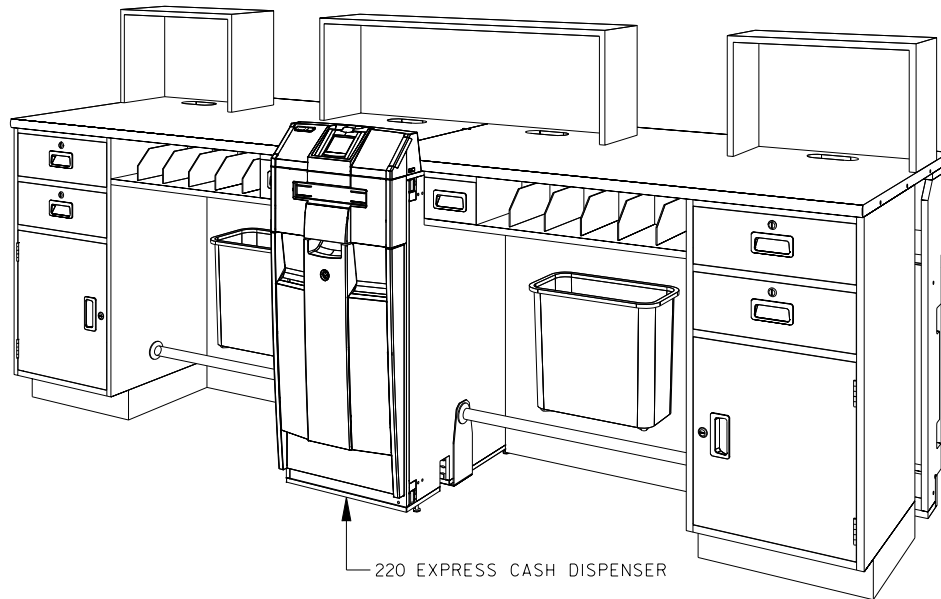


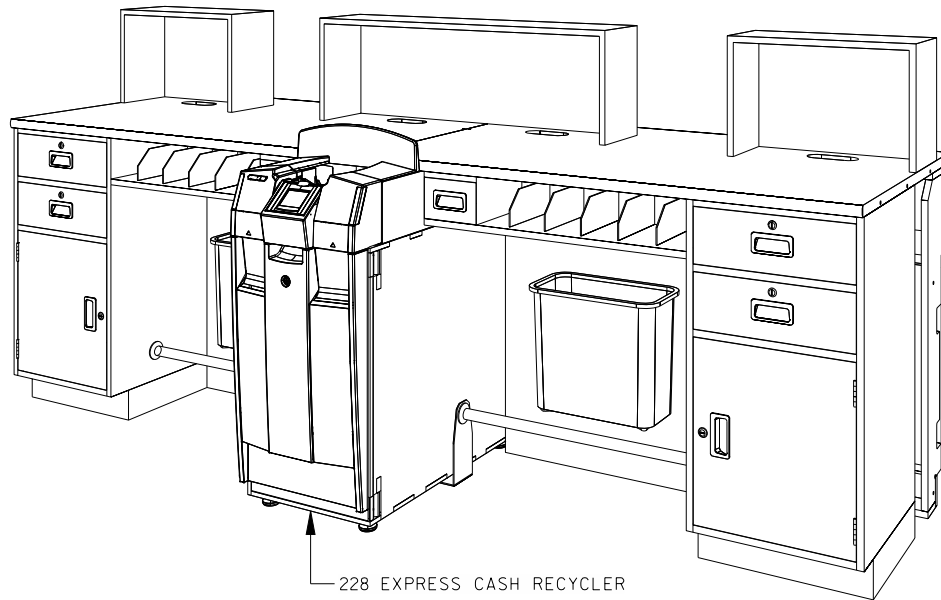
DIMENSIONS IN MILLIMETRES
(DIMENSIONS IN FEET-INCHES)



THIRD ANGLE
PROJECTION



43008 PERSPECTIVE-220 EXPRESS CASH DISPENSER



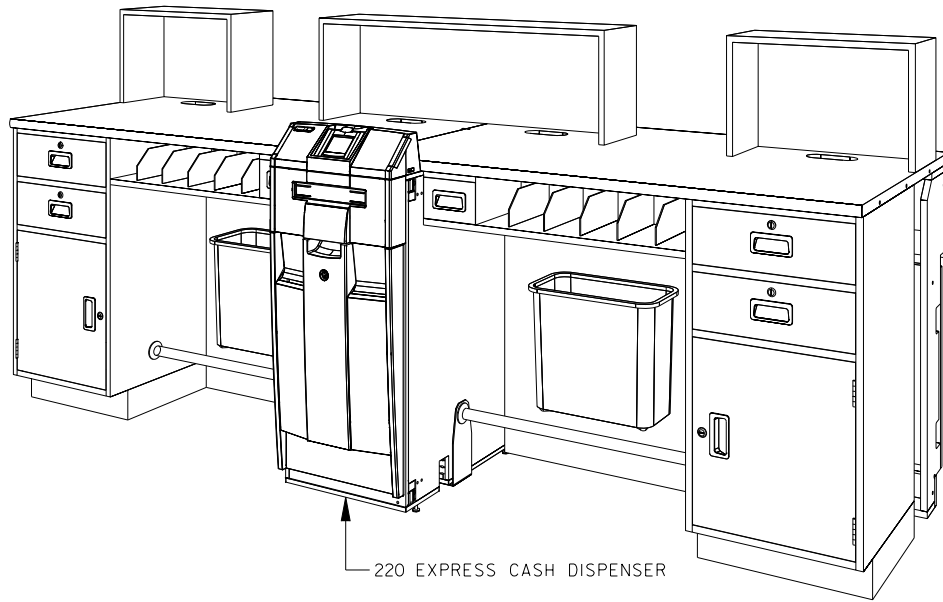
43008 PERSPECTIVE-228 EXPRESS CASH RECYCLER

NOTES:

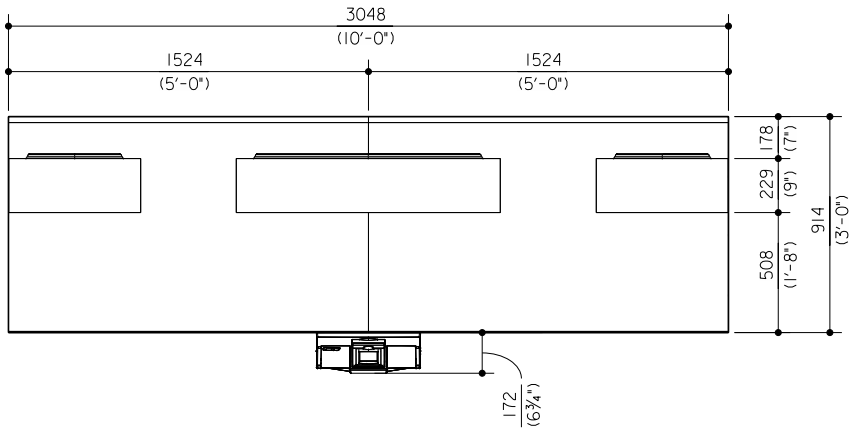
1. ALL CONDUIT, WIRING, JUNCTION BOXES, ETC. TO BE FURNISHED AND INSTALLED BY OWNER'S ELECTRICAL CONTRACTOR.
2. TO ENSURE A GOOD FIT, THE ORDER MUST INCLUDE THE FOLLOWING INFORMATION:
 1. ON THE FLOOR PLAN, SHOW WHERE THE 220 EXPRESS CASH DISPENSER OR 228 EXPRESS CASH RECYCLER UNIT(S) WILL BE PLACED IN THE TELLER LINE.
 2. ON THE ORDER FORM, IDENTIFY THE MODEL 220 EXPRESS CASH DISPENSER OR 228 EXPRESS CASH RECYCLER.
 3. ON THE PRICING WORKSHEETS, ORDER THE NUMBER OF 220 EXPRESS CASH DISPENSER OR 228 EXPRESS CASH RECYCLER ARRANGEMENTS NEEDED.

WHEN THIS INFORMATION IS PROVIDED WITH THE ORDER, THE FACTORY WILL AUTOMATICALLY MAKE THE NEEDED ARRANGEMENTS TO ACCOMMODATE THESE UNITS.

DIMENSIONS IN MILLIMETRES
(DIMENSIONS IN FEET-INCHES)

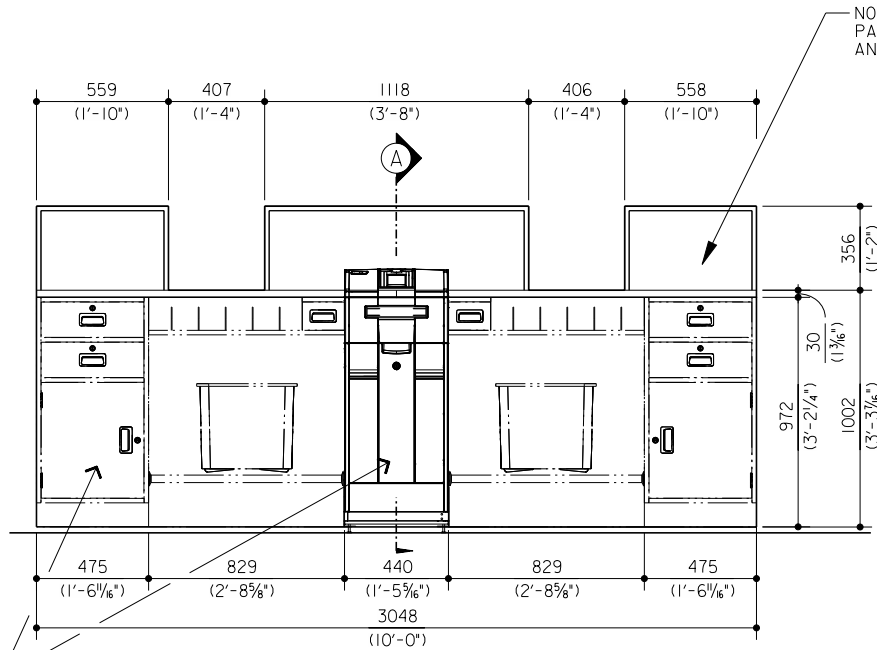


43008 PERSPECTIVE-220 EXPRESS CASH DISPENSER

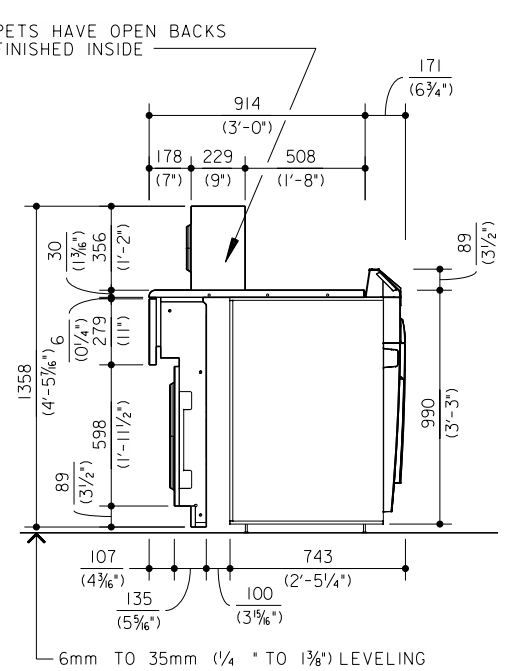


PLAN VIEW

*ALL DIMENSIONS AND DESIGN CRITERIA
SUBJECT TO CHANGE WITHOUT NOTICE*



TELLER ELEVATION

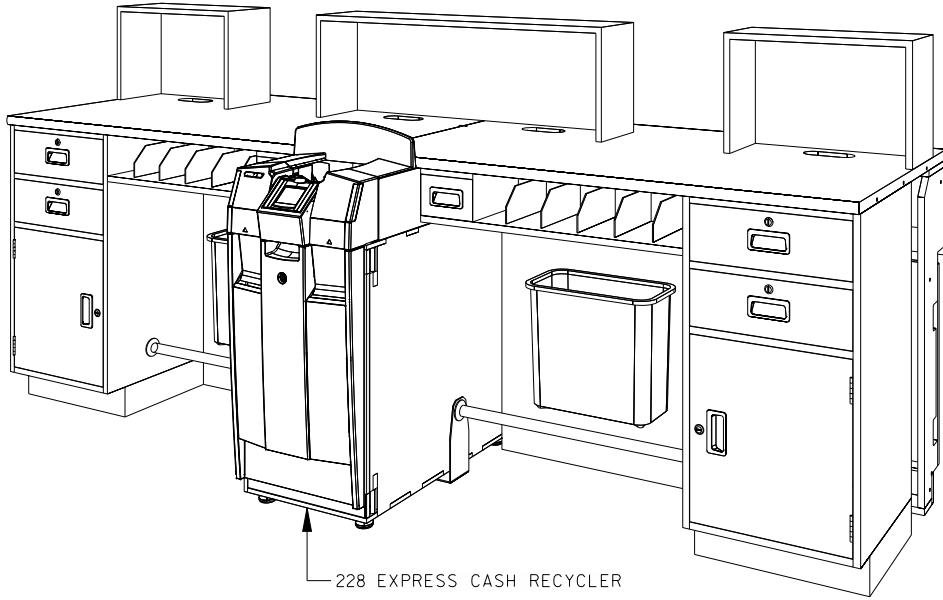


SECTION "A"

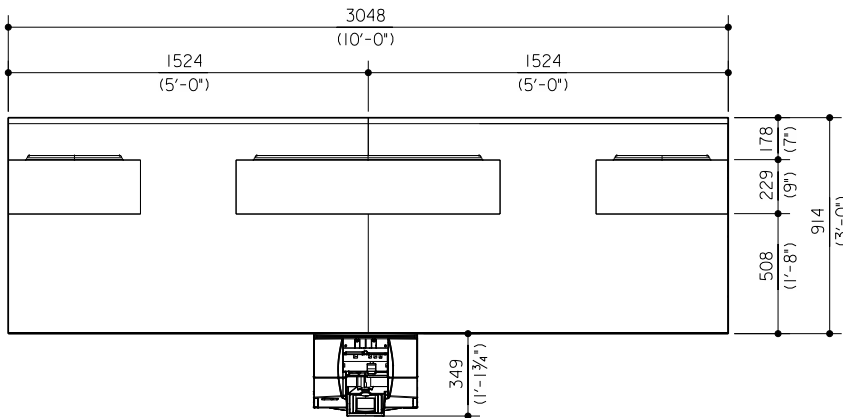
NOTE:
UNDERCOUNTER AND EXPRESS CASH DISPENSER SHOWN FOR REFERENCE
ONLY, NOT INCLUDED WITH MODULAR COUNTER SYSTEM.

CALL 1-800-999-3600

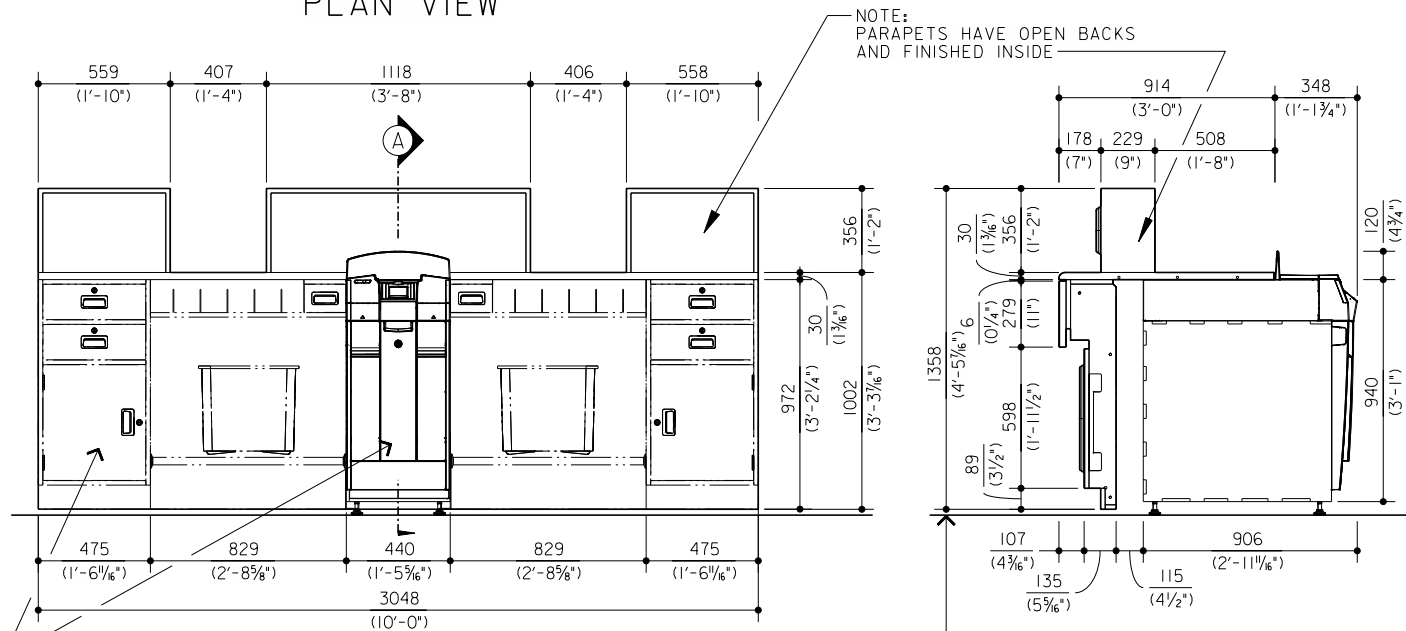
DIMENSIONS IN MILLIMETRES
(DIMENSIONS IN FEET-INCHES)



43008 PERSPECTIVE-228 EXPRESS CASH RECYCLER



PLAN VIEW



TELLER ELEVATION

SECTION "A"