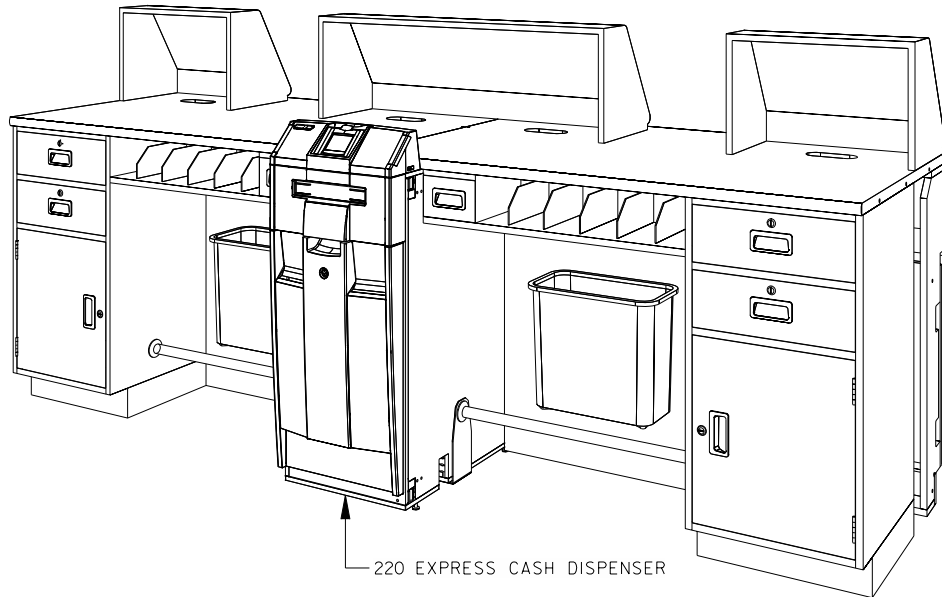
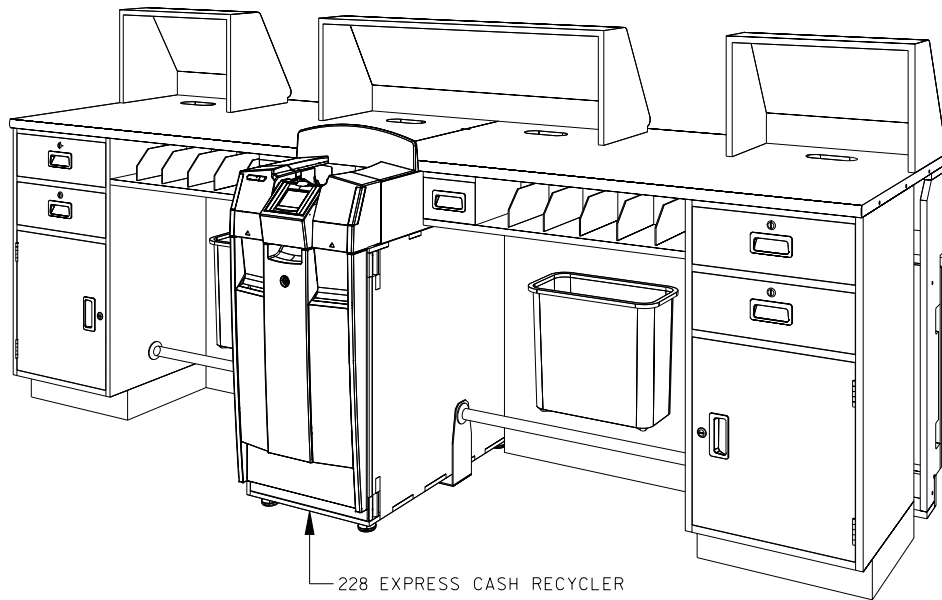


DIMENSIONS IN MILLIMETRES  
(DIMENSIONS IN FEET-INCHES)



220 EXPRESS CASH DISPENSER

43008 PERSPECTIVE-220 EXPRESS CASH DISPENSER



228 EXPRESS CASH RECYCLER

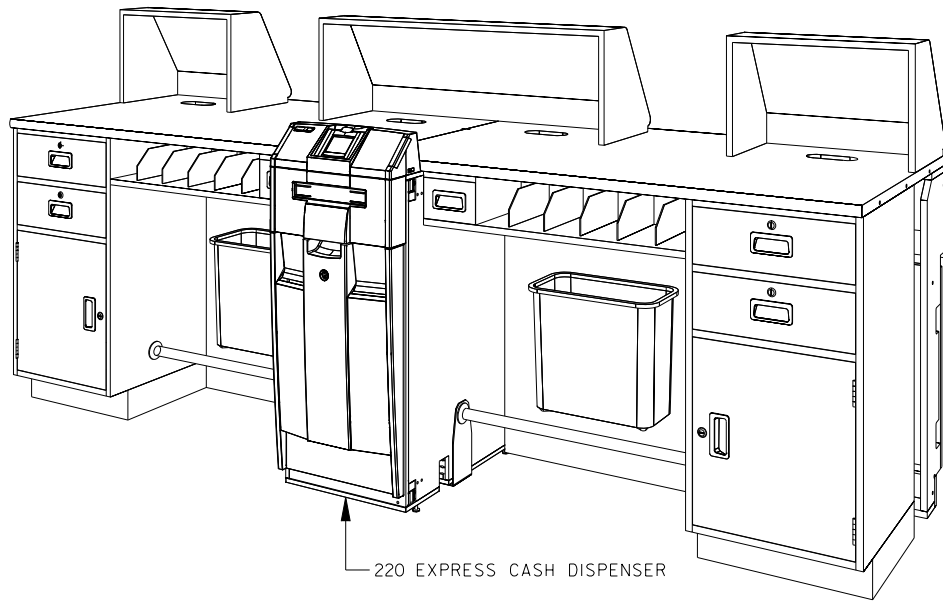
43008 PERSPECTIVE-228 EXPRESS CASH RECYCLER

### NOTES:

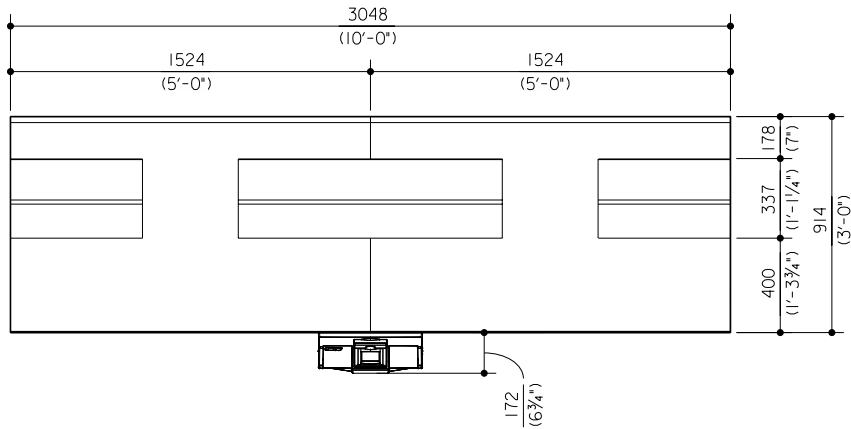
1. ALL CONDUIT, WIRING, JUNCTION BOXES, ETC. TO BE FURNISHED AND INSTALLED BY OWNER'S ELECTRICAL CONTRACTOR.
2. TO ENSURE A GOOD FIT, THE ORDER MUST INCLUDE THE FOLLOWING INFORMATION:
  1. ON THE FLOOR PLAN, SHOW WHERE THE 220 EXPRESS CASH DISPENSER OR 228 EXPRESS CASH RECYCLER UNIT(S) WILL BE PLACED IN THE TELLER LINE.
  2. ON THE ORDER FORM, IDENTIFY THE MODEL 220 EXPRESS CASH DISPENSER OR 228 EXPRESS CASH RECYCLER.
  3. ON THE PRICING WORKSHEETS, ORDER THE NUMBER OF 220 EXPRESS CASH DISPENSER OR 228 EXPRESS CASH RECYCLER ARRANGEMENTS NEEDED.

WHEN THIS INFORMATION IS PROVIDED WITH THE ORDER, THE FACTORY WILL AUTOMATICALLY MAKE THE NEEDED ARRANGEMENTS TO ACCOMMODATE THESE UNITS.

DIMENSIONS IN MILLIMETRES  
(DIMENSIONS IN FEET-INCHES)

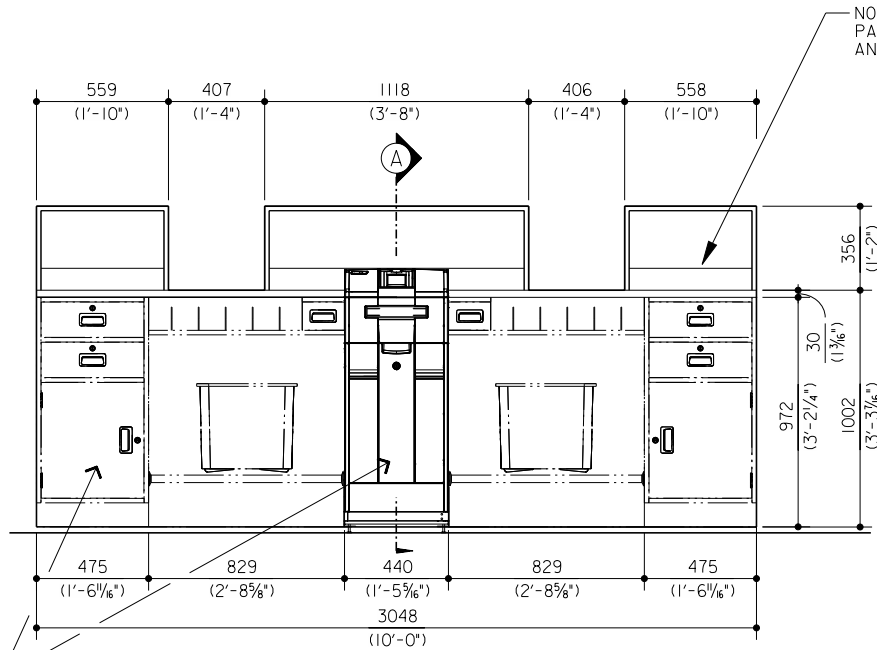


### 43008 PERSPECTIVE-220 EXPRESS CASH DISPENSER



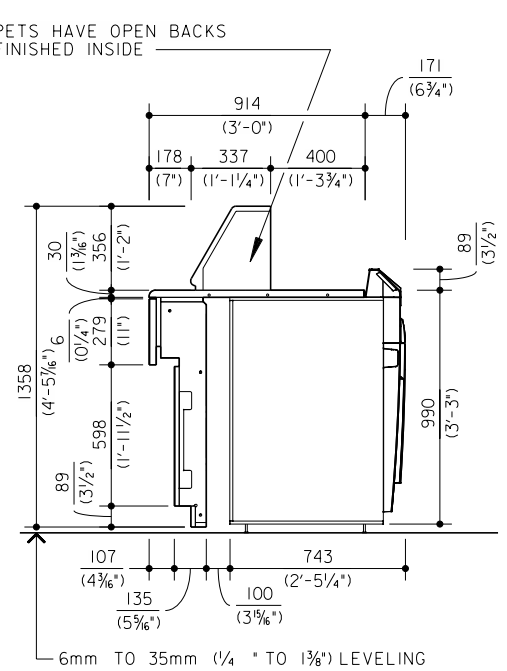
PLAN VIEW

\*ALL DIMENSIONS AND DESIGN CRITERIA  
SUBJECT TO CHANGE WITHOUT NOTICE\*



NOTE:  
UNDERCOUNTER AND EXPRESS CASH DISPENSER SHOWN FOR REFERENCE  
ONLY. NOT INCLUDED WITH MODULAR COUNTER SYSTEM.

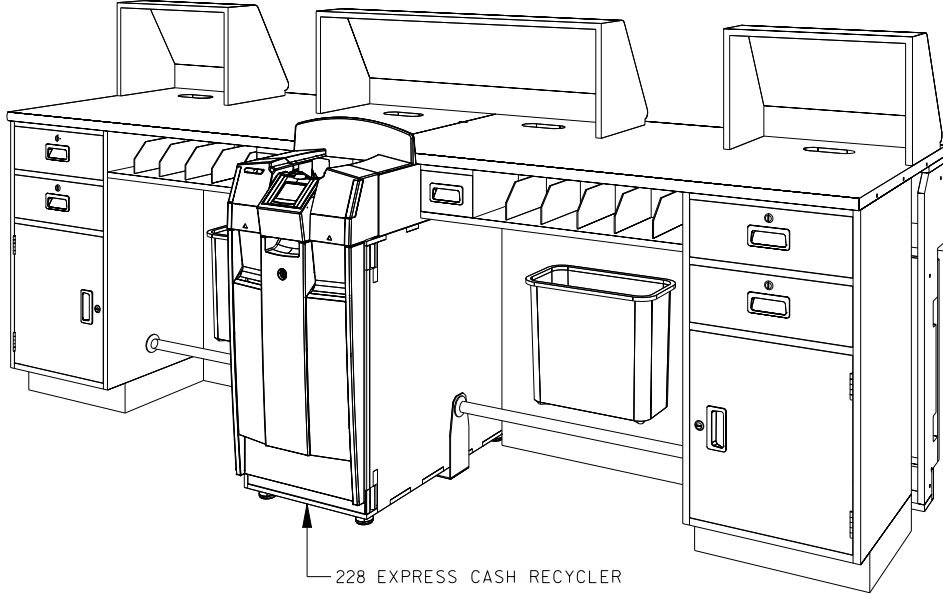
TELLER ELEVATION



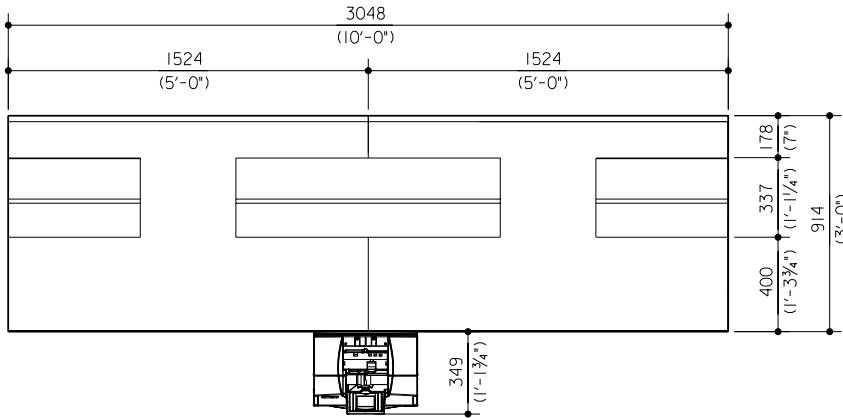
SECTION "A"

CALL 1-800-999-3600

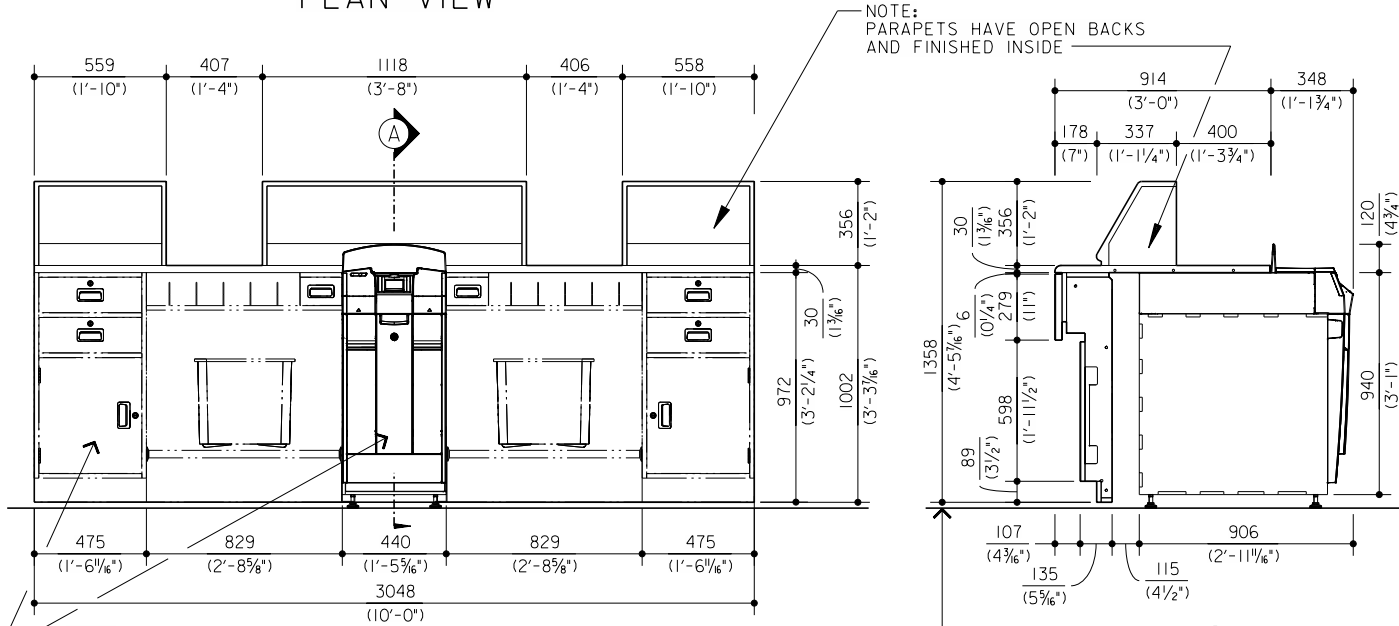
DIMENSIONS IN MILLIMETRES  
(DIMENSIONS IN FEET-INCHES)



43008 PERSPECTIVE-228 EXPRESS CASH RECYCLER



PLAN VIEW



NOTE:  
UNDERCOUNTER AND EXPRESS CASH RECYCLER SHOWN FOR REFERENCE  
ONLY. NOT INCLUDED WITH MODULAR COUNTER SYSTEM.

TELLER ELEVATION

SECTION "A"