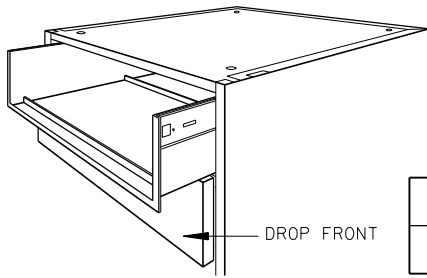


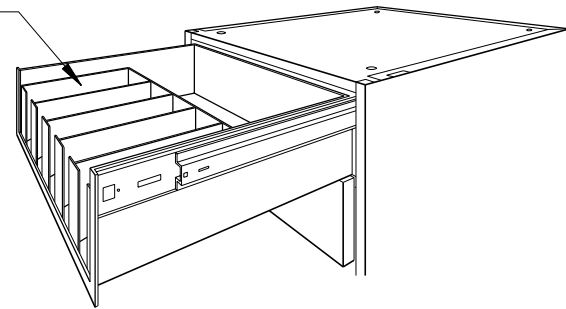
SLIDING SHELF AND DRAWER OPTIONS

DIMENSIONS IN MILLIMETRES
(DIMENSIONS IN INCHES)



MODEL	PRODUCT
M-05-RCD	221-06

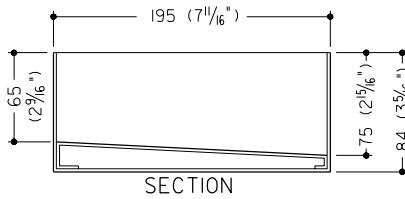
MC-5-RCT



DRAWER EXTENDED TO CATCH POSITION ROLLED COIN DRAWER

FULL EXTENSION OF DRAWER

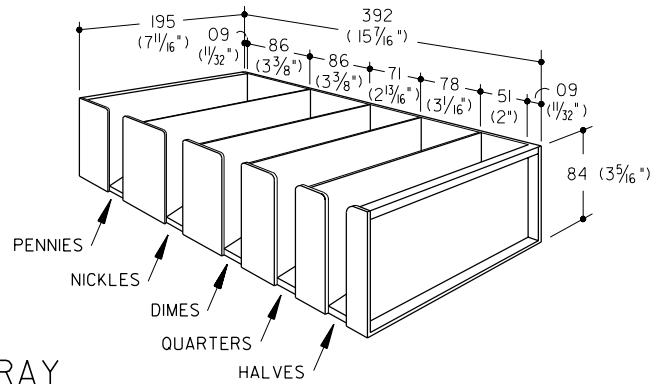
THIRD ANGLE
PROJECTION



MODEL	PRODUCT
M-5-RCT	221-05

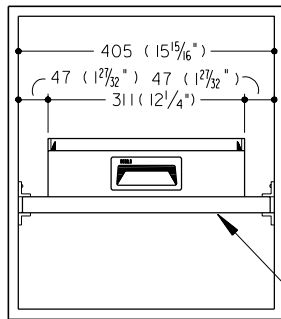
MAY BE USED WITH ROLLED
COIN DRAWER M-05-RCD

COIN CAPACITY					
	PENNIES	NICKLES	DIMES	QUARTERS	HALVES
ROLL	38	23	45	18	10
CASH	\$19	\$46	\$225	\$180	\$100



ROLLED COIN TRAY

PAGE 1 OF 4

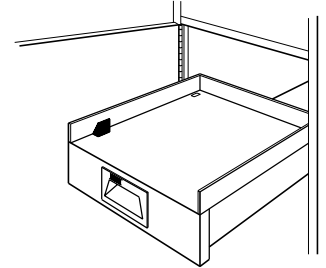
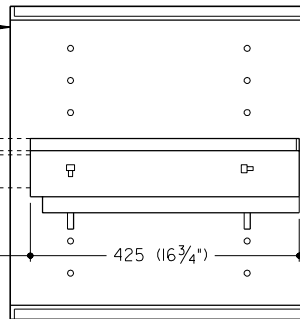


LOCKER BODY

SLIDING SHELF

ADJUSTABLE SHELF (2" O.C.)

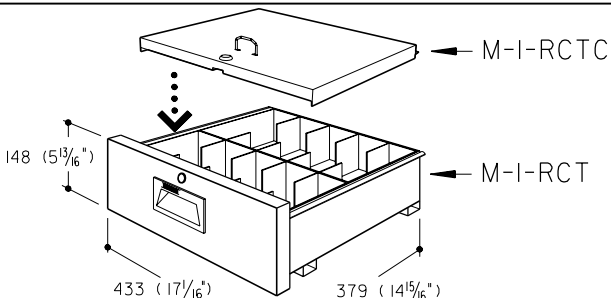
532 (17") TRAVEL



MODEL	PRODUCT
M-I-SS	221-07

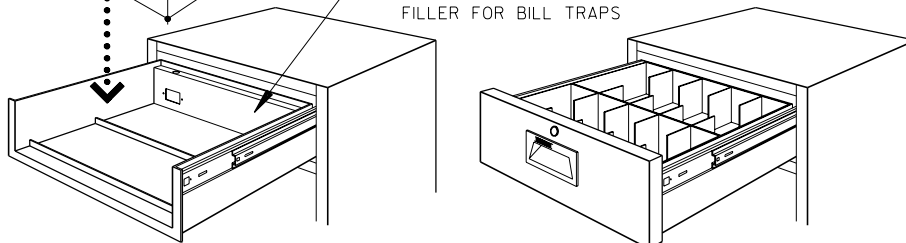
SLIDING SHELF

*ALL DIMENSIONS AND DESIGN CRITERIA
SUBJECT TO CHANGE WITHOUT NOTICE.

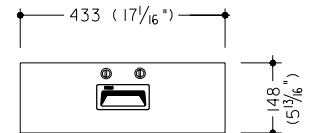


MODEL	PRODUCT
M-I-RCT	221-25
M-I-RCTC	221-26

ALL CRADLES HAVE A
FILLER FOR BILL TRAPS



REMOVABLE CASH TRAY DRAWER WITH BILL TRAY



MODEL	PRODUCT
DF-2	221-13

NOTE: FIELD INSTALLABLE

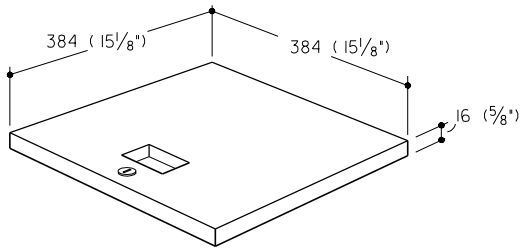
DRAWER FRONT WITH
(2) LOCKS



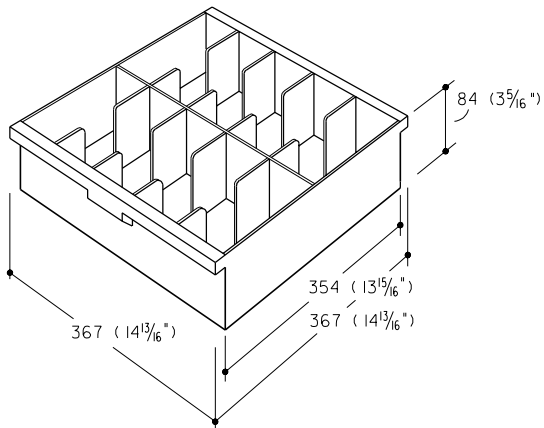
CASH TRAYS AND TRAY INSERTS

NOTE:
LOCKS AND KEYS ARE ORDERED SEPARATELY

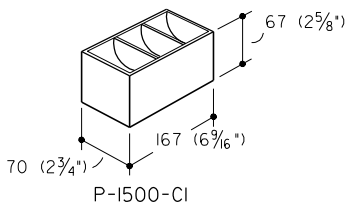
DIMENSIONS IN MILLIMETRES
(DIMENSIONS IN INCHES)



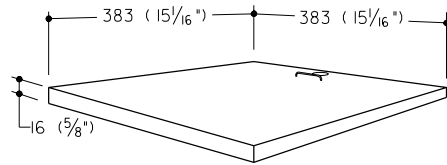
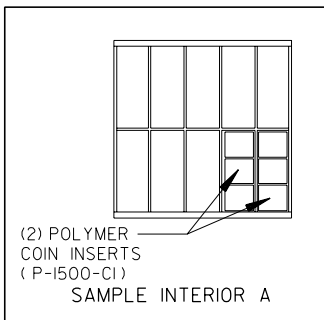
P-I500-LC



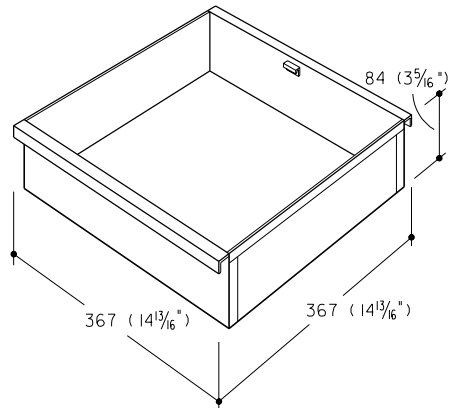
P-I500-CT



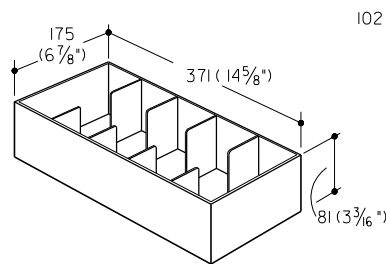
P-I500-CI



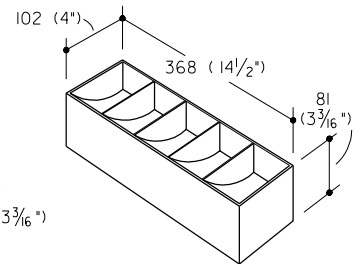
M-I500-LC



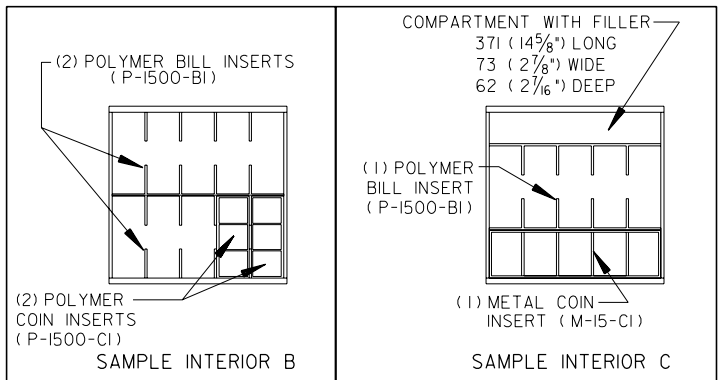
M-I500-CT



P-I500-BI



M-I5-CI



PAGE 2 OF 4

*ALL DIMENSIONS AND DESIGN CRITERIA
SUBJECT TO CHANGE WITHOUT NOTICE.

MODEL	PRODUCT	DESCRIPTION
P-I500-CTK	220-80	LOCKING COVER, CASH TRAY, (2) COIN INSERTS & HANGER
P-I500-LC	220-79	LOCKING COVER (POLYMER)
P-I500-CI	220-85	COIN INSERT (POLYMER)
P-I500-CT	220-78	CASH TRAY (POLYMER)

POLYMER CASH TRAY

MODEL	PRODUCT	DESCRIPTION
M-I500-CTK	220-83	LOCKING COVER, CASH TRAY & HANGER
M-I500-LC	220-82	LOCKING COVER (STEEL)
M-I500-CT	220-81	CASH TRAY (STEEL)
M-I5-CI	220-86	COIN INSERT WITH FILLER (STEEL)
P-I500-BI	220-84	BILL INSERT (POLYMER)
P-I500-CI	220-85	COIN INSERT (POLYMER)

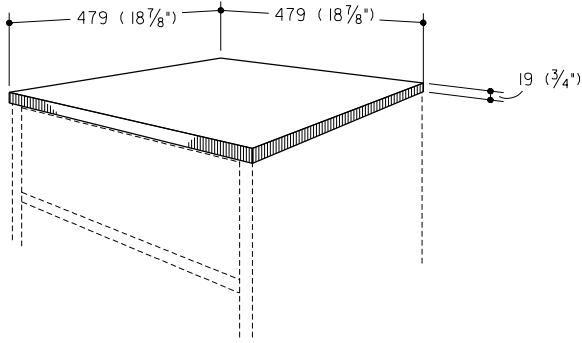
METAL CASH TRAY

FILE NO. 176-707 REV. 2

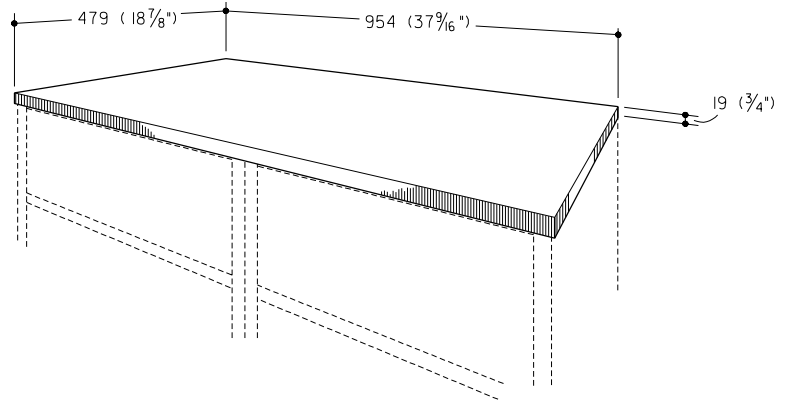
CALL 1-800-999-3600

PEDESTAL CAPS

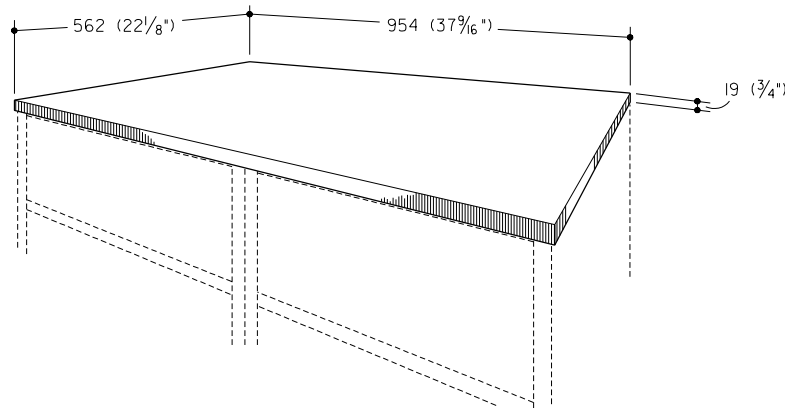
DIMENSIONS IN MILLIMETRES
(DIMENSIONS IN INCHES)



MODEL	PRODUCT
PC-SW	221-10

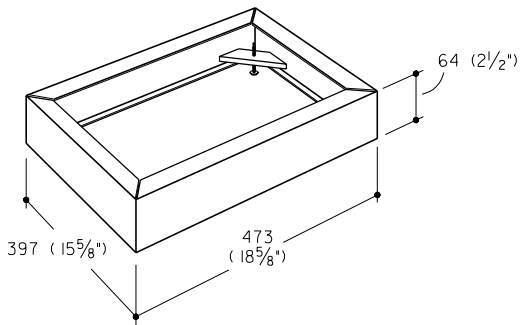


MODEL	PRODUCT
PC-DW	221-11

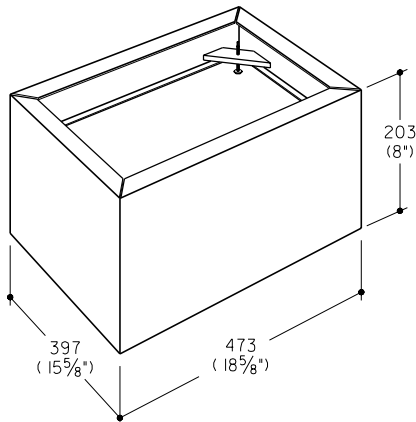


MODEL	PRODUCT
PC-DW-22	221-09

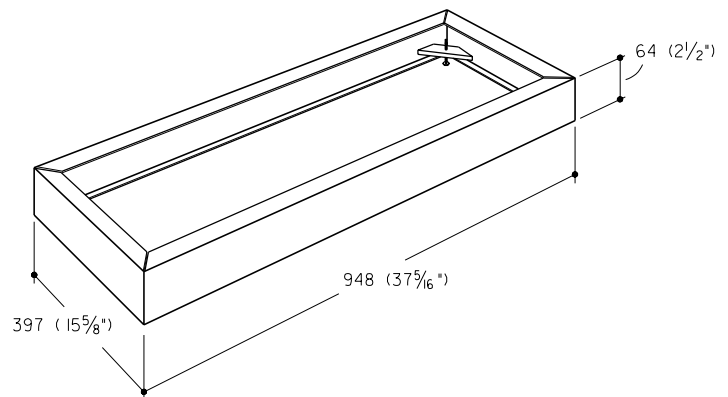
BASES



MODEL	PRODUCT
PB-2.5-SW	221-21



MODEL	PRODUCT
PB-8.0-SW	221-23



MODEL	PRODUCT
PB-2.5-DW	221-22



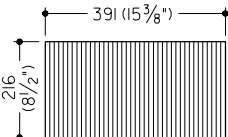
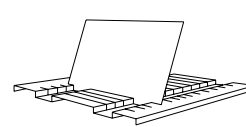
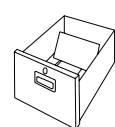
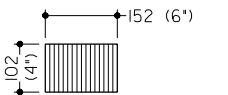
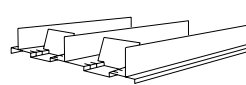
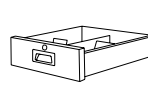
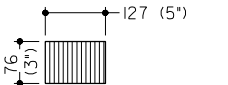
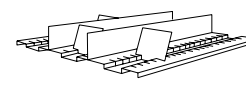
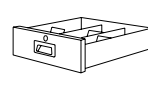
THIRD ANGLE
PROJECTION



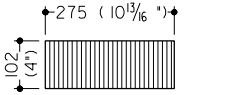
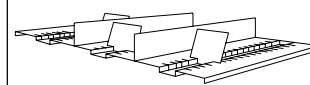
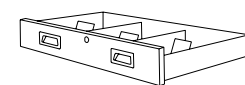
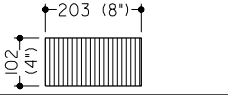
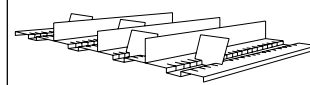
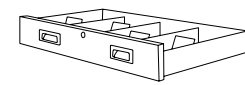
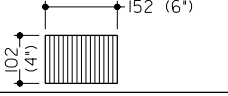
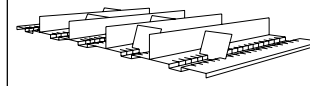
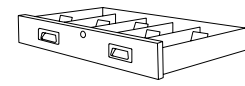
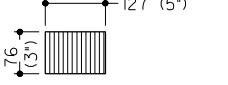
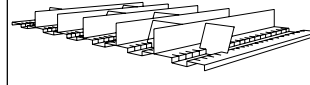
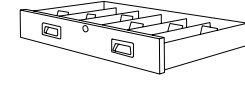
DRAWER FILING INSERTS

* CARD SIZE COLUMN: HEIGHT DIMENSION REPRESENTS HEIGHT OF COMMON CARDS AND APPROXIMATE HEIGHT OF FOLLOWER. WIDTH DIMENSION DENOTES MAXIMUM CARD WIDTH THAT INSERT/COMPARTMENT WILL ACCEPT.

SINGLE WIDTH DRAWERS

* CARD SIZE	INSERT MODEL NUMBER	INSERT PRODUCT NUMBER	FILING INSERT	TOTAL FILING IN. PER INSERT	ROWS PER INSERT	DRAWER SIZE
	MI-15X8	220-92		16	1	 (P)
	M2-6X4	220-93		32	2	 (F)
	M3-5X3	220-94		48	3	 (F)

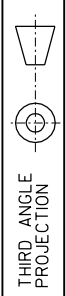
DOUBLE WIDTH DRAWERS

	M3-10X4	220-96		48	3	 (W)
	M4-8X4	220-97		64	4	 (W)
	M5-6X4	220-98		80	5	 (W)
	M6-5X3	220-99		96	6	 (W)

LABEL HOLDER FOR ALL DRAWERS

	LH-1	221-12	LABEL HOLDER (ADHESIVE PEEL-OFF BACK)	
---	------	--------	--	---

DIMENSIONS IN MILLIMETRES
(DIMENSIONS IN INCHES)



THIRD ANGLE
PROJECTION

PAGE 4 OF 4

*ALL DIMENSIONS AND DESIGN CRITERIA
SUBJECT TO CHANGE WITHOUT NOTICE.

FILE NO. 176-707 REV. 2