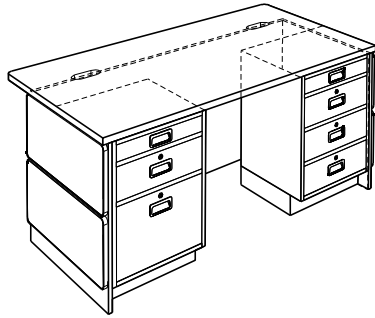
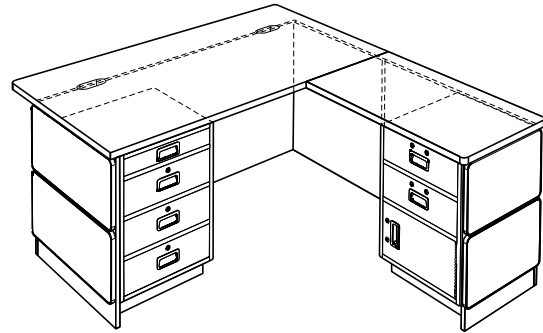


DIMENSIONS IN MILLIMETRES
(DIMENSIONS IN INCHES)



DESK

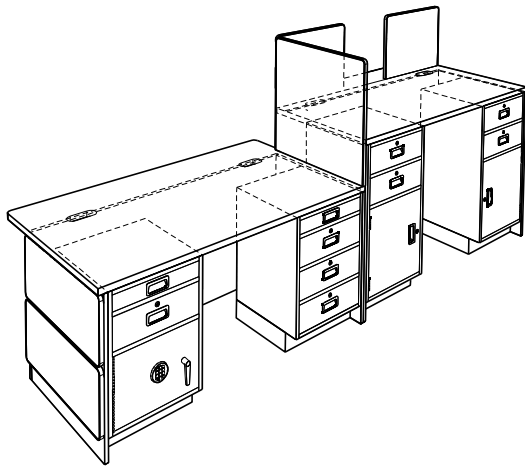


DESK WITH RETURN

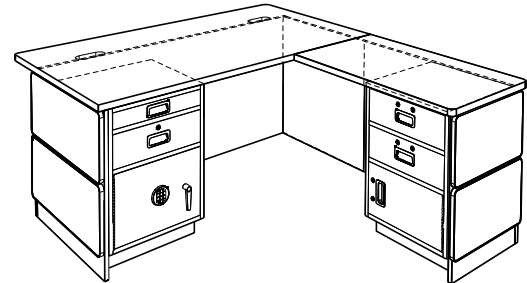
NOTE:

SHOWN ARE SIT DOWN UNITS. (SEE PAGE 16 FOR AVAILABLE UNITS AND DETAILS).
A 30° COUNTERTOP HEIGHT, FROM TELLERS FLOOR TO TOP OF COUNTER, CAN BE MAINTAINED WITH A 1³/₁₆" THICK COUNTERTOP AND 5¹/₁₆" ALLOWED FOR LEVELING UNDER BASE.

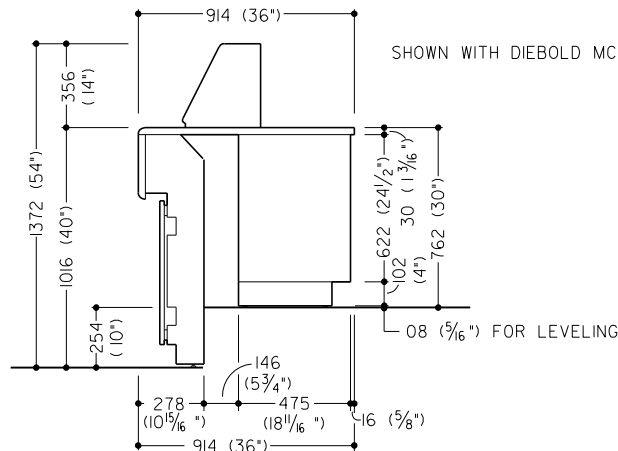
SHOWN WITH DIEBOLD MCS 3000 FOR REFERENCE



STAND UP STATION WITH
IN-LINE SIT-DOWN DESK



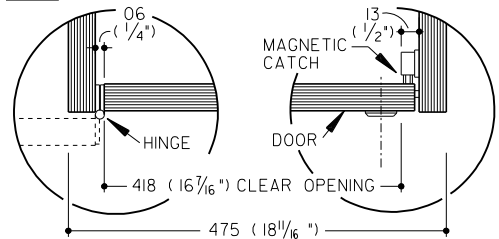
SIT-DOWN DESK WITH RETURN



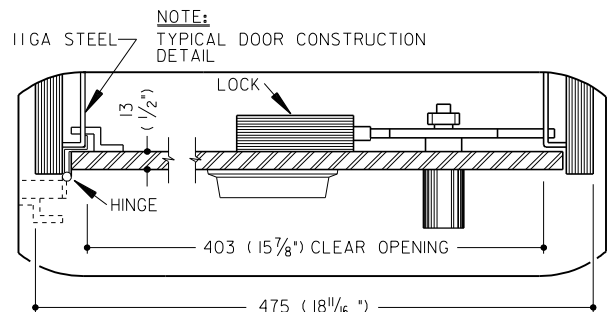
TYPICAL SECTION
(SIT-DOWN / STAND-UP)



NOTE: TYPICAL DOOR CONSTRUCTION DETAIL



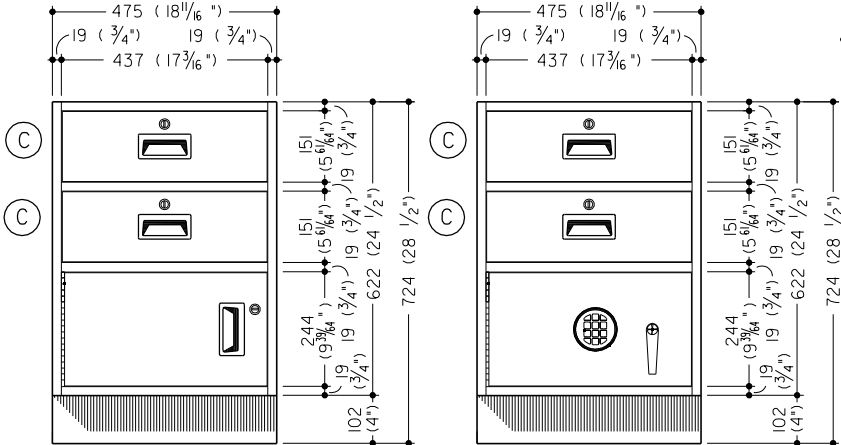
NOTE: ALL PEDESTAL UNITS ARE 475 (18 11/16 ") DEEP



SECTION SD-3-C-DL

SECTION SD-2-LL/RL

DIMENSIONS IN MILLIMETRES (DIMENSIONS IN INCHES)



DRAWER SCHEDULE

DRAWER	INSIDE CLEAR DIMENSION		
	HEIGHT	WIDTH	DEPTH
(S)	58 (2 3/8")	408 (16 1/8")	392 (15 5/16")
(C)	136 (5 1/2")	408 (16 1/8")	392 (15 5/16")
(F)	136 (5 1/2")	408 (16 1/8")	440 (17 3/8")
(P)	306 (12 1/2")	383 (15 1/8")	440 (17 3/8")

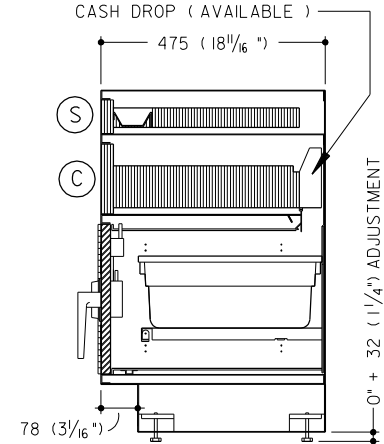
LOCKER SCHEDULE

LOCKER DOOR HEIGHT	INSIDE CLEAR DIMENSION		
	HEIGHT	WIDTH	DEPTH
321 (12 5/8")	290 (11 3/8")	403 (15 7/8")	429 (16 7/8")



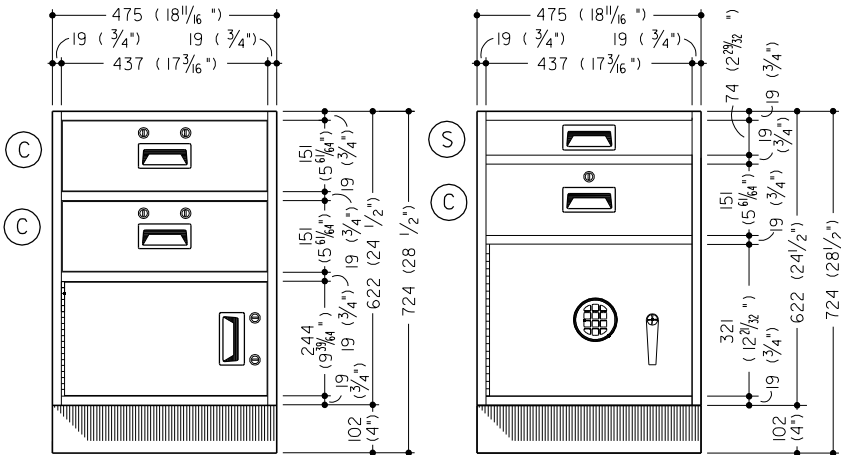
MODEL	PRODUCT	kg (LBS.)
SD-3-C-SL	220-40	27 (60)

MODEL	PRODUCT	kg (LBS.)
SD-3-LL/RL	220-47	55 (122)



SECTION SD-2-LL/RL-CD

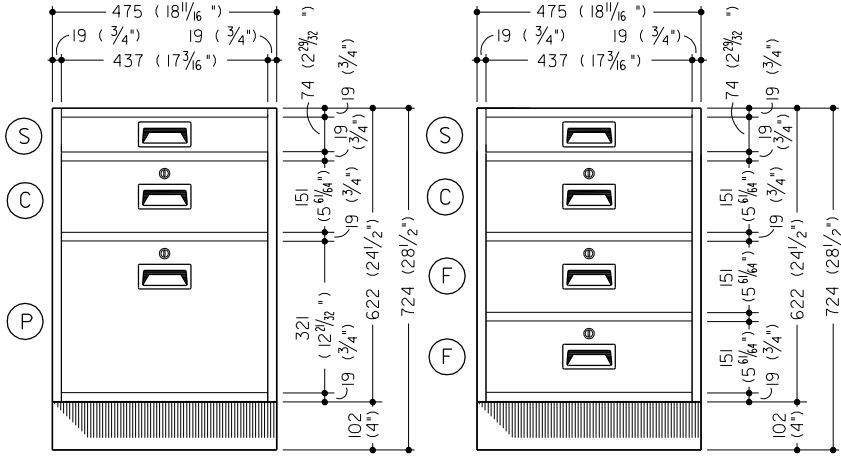
PAGE 2 OF 2



MODEL	PRODUCT	kg (LBS.)
SD-3-C-DL	220-45	25 (55)

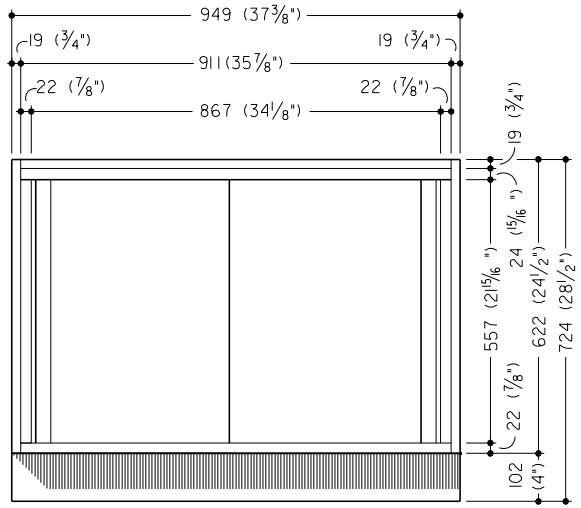
MODEL	PRODUCT	kg (LBS.)
SD-2-LL/RL	220-42	60 (133)

ALL DIMENSIONS AND DESIGN CRITERIA SUBJECT TO CHANGE WITHOUT NOTICE.



MODEL	PRODUCT	kg (LBS.)
SD-2-XX	220-43	32 (70)

MODEL	PRODUCT	kg (LBS.)
SD-3-XX	220-44	33 (74)



MODEL	PRODUCT	kg (LBS.)
SD-21-SD	220-46	34 (76)

FILE NO. 176-705 REV. 4