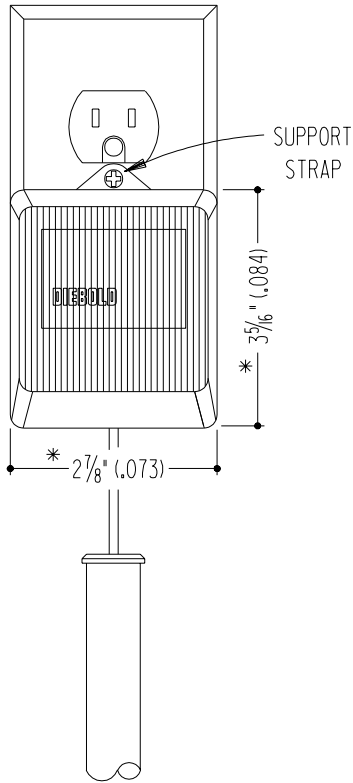
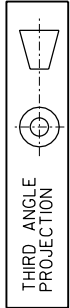
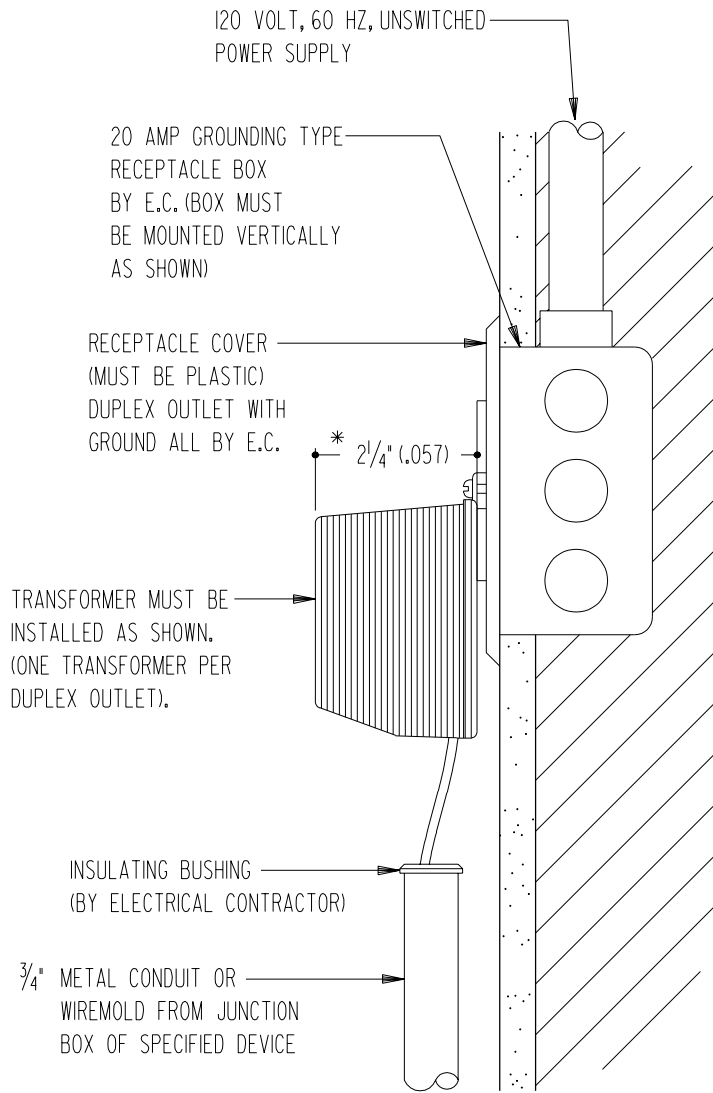


DIMENSIONS IN INCHES  
( DIMENSIONS IN METERS )



FRONT VIEW



SIDE VIEW

CABLE "TYPE G" IS REQUIRED  
SEE CABLE SCHEDULE

NOTES:

1. LOCATE TRANSFORMER ABOVE ACCESSIBLE CEILING OR IN ELECTRICAL CLOSET OR OTHER AREA NOT ACCESSIBLE TO THE GENERAL PUBLIC. (TRANSFORMER MUST BE ACCESSIBLE FOR INSTALLATION AND SERVICE).
2. TRANSFORMER MUST NOT BE LOCATED ABOVE SUSPENDED CEILING WHEN AREA ABOVE CEILING IS USED FOR AIR HANDLING PURPOSES.
3. MAXIMUM DISTANCE FROM DEVICE IS 50'-0".
- \* 4. REQUIREMENTS, SIZE AND STYLE OF TRANSFORMER MAY VARY, BUT CONNECTION TO OUTLET BOX WILL REMAIN THE SAME.

