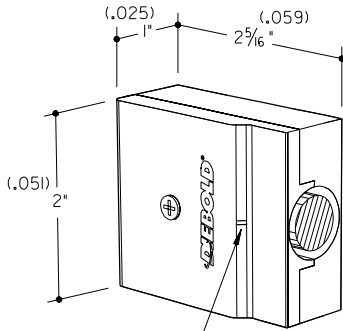
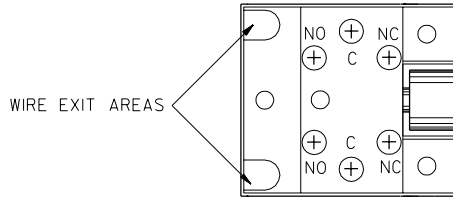


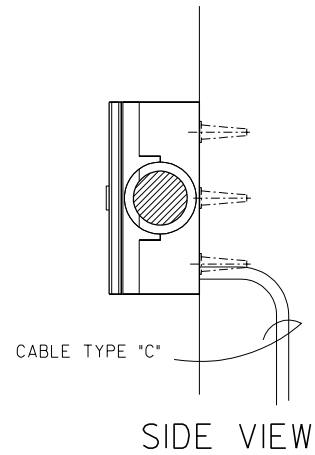
DIMENSIONS IN FEET-INCHES
(DIMENSIONS IN METRES)



NOTE:
TO RESET LATCHING BUTTON,
INSERT SMALL SCREWDRIVER INTO
RESET HOLE. THE UNIT UNLATCHES
WHEN THE BUTTON CAP IS RELEASED.



WIRE EXIT AREAS



FRONT VIEW
(WITH COVER REMOVED)

SIDE VIEW

SPECIFICATIONS

MATERIAL: ABS PLASTIC
 COLOR: PLATINUM
 WEIGHT: 1.5 OZ. OR 42.5 G.
 SWITCH RATING: 3 AMPS @ 28 VDC/AC .05 AMPS @ 125VDC
 CONTACTS: D.P.D.T.

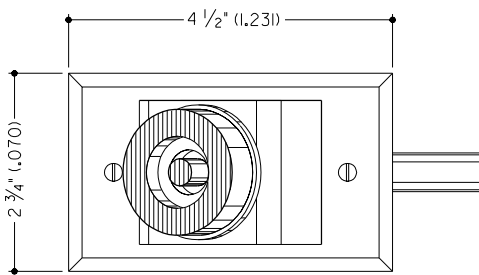
THE HOLD-UP BUTTON IS A MOMENTARY UNIT THAT CAN BE MADE LATCHING, BY REMOVING INSTALLED BUTTON CAP (DISCARD) & REPLACED W/LATCHING CAP (SUPPLIED). THIS IS A ONE TIME FIELD SELECTABLE OPTION.

MOUNTING

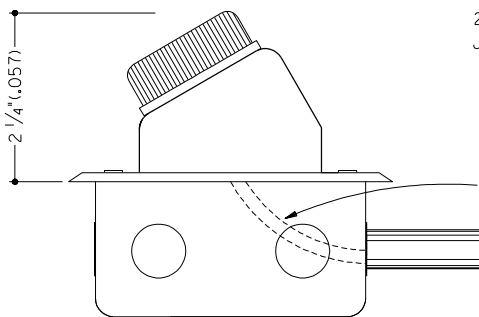
- 3 MOUNTING SCREWS W/PLASTIC ANCHORS
 - DOUBLE SIDED ADHESIVE FOAM GASKET
- FOR DESK MOUNTED BUTTONS:
 A FLOOR OUTLET WITH 3/4" METAL CONDUIT TO J-BOX MAIN OR ALARM CONTROL CABINET.

HOLD-UP BUTTON 19-036539-000A

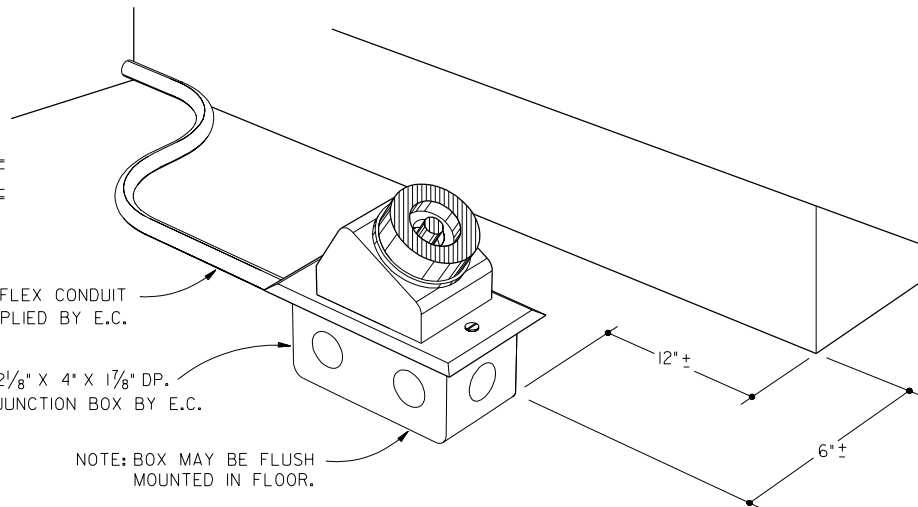
(1) CABLE TYPE "C" IS REQUIRED FOR CABLE SPECIFICATIONS SEE CABLE SCHEDULE FILE NO.170-100.



TOP VIEW



SIDE VIEW



MOUNTING

FOR DESK MOUNTED BUTTONS:
 A FLOOR OUTLET WITH 3/4" METAL CONDUIT TO J-BOX MAIN OR ALARM CONTROL CABINET.

NOTE:
 ALSO USABLE AT CHAIR LEVEL, FOR KNEE ACTIVATION.

SPECIFICATIONS

MATERIAL: ZINC DIE CASTING
 COLOR: BUFFED NICKEL
 SWITCH CONTACT: MOMENTARY ACTION

FOOT ACTIVATED BUTTON 19-011891-000A

(1) CABLE TYPE "C" IS REQUIRED FROM TERMINAL STRIP TO J-BOX MAIN OR ALARM CONTROL CABINET

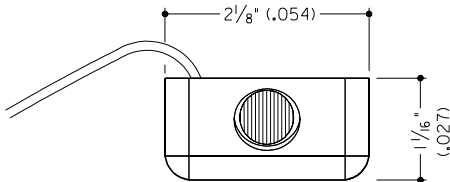
FOR CABLE SPECIFICATIONS SEE CABLE SCHEDULE FILE NO.170-100.



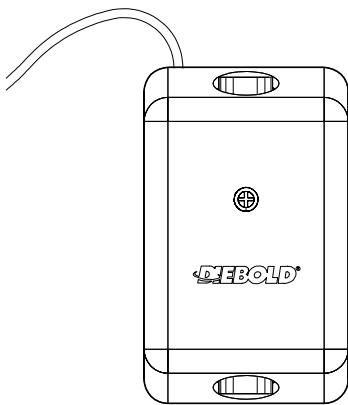
DIMENSIONS IN FEET-INCHES
(DIMENSIONS IN METRES)



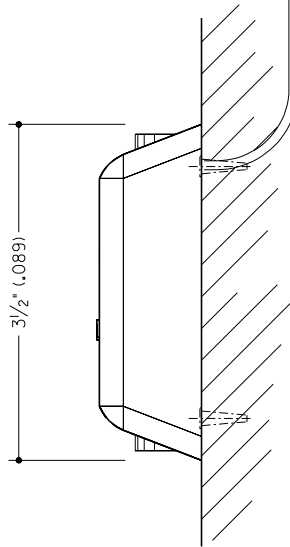
NOTE:
LOCATE TERMINAL STRIP (IF REQUIRED),
END OF LINE RESISTOR AND/OR TRANSPONDERS
OUT OF THE WAY TO AVOID DAMAGE.



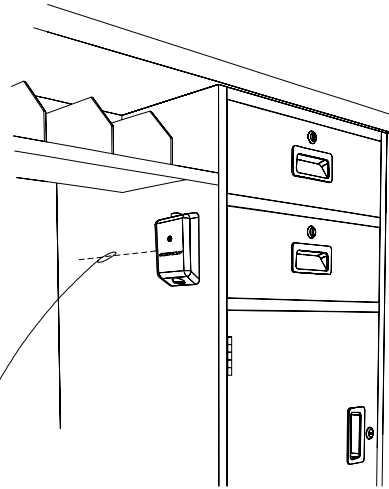
TOP VIEW



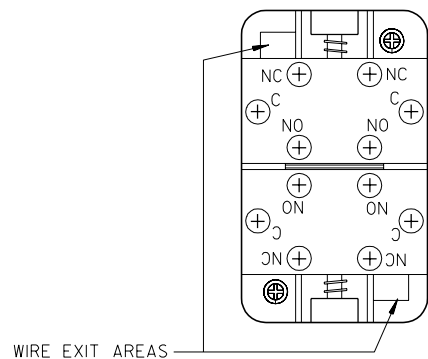
FRONT VIEW



SIDE VIEW



CABLE TYPE "C" IS REQUIRED WITHOUT CAMERAS
CABLE TYPE "C" AND "A" ARE REQUIRED WITH CAMERAS
8'-0" (2.438) LEAD ASSEMBLY (SUPPLIED BY DIEBOLD)
FROM TERMINAL STRIP TO
J-BOX MAIN OR ALARM CONTROL PANEL
SEE CABLE SCHEDULE FILE NO.170-100.



FRONT VIEW
(WITH COVER REMOVED)

WIRE EXIT AREAS

SPECIFICATIONS

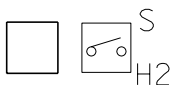
MATERIAL: ABS PLASTIC
COLOR: PLATINUM
WEIGHT: 1.5 OZ. OR 42.5 G.
SWITCH RATING: 3 AMPS @ 28 VDC/AC .05 AMPS @ 125VDC
CONTACTS: D.P.D.T.

NOTE:
KEY PROVIDED TO
RESET DEVICE

MOUNTING

- 2 MOUNTING SCREWS W/PLASTIC ANCHORS
 - DOUBLE SIDED ADHESIVE FOAM GASKET
- FOR DESK MOUNTED BUTTONS:
A FLOOR OUTLET WITH 3/4" METAL CONDUIT
TO J-BOX MAIN OR ALARM CONTROL CABINET.

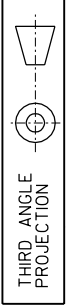
THE HOLD-UP BUTTON IS A MOMENTARY UNIT
THAT CAN BE MADE LATCHING, BY REMOVING
INSTALLED BUTTON CAP (DISCARD) & REPLACED
W/LATCHING CAP (SUPPLIED). THIS IS A ONE TIME
FIELD SELECTABLE OPTION.



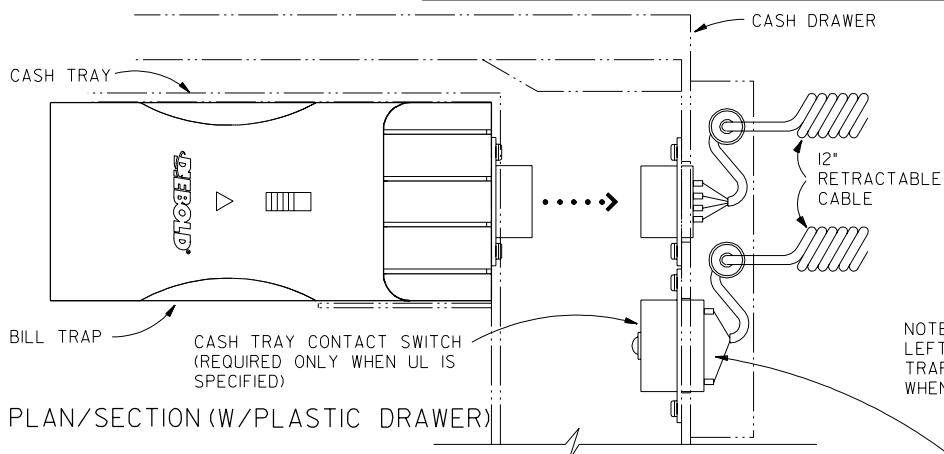
DOUBLE SQUEEZE BUTTON 19-036568-000-A

CALL 1-800-999-3600

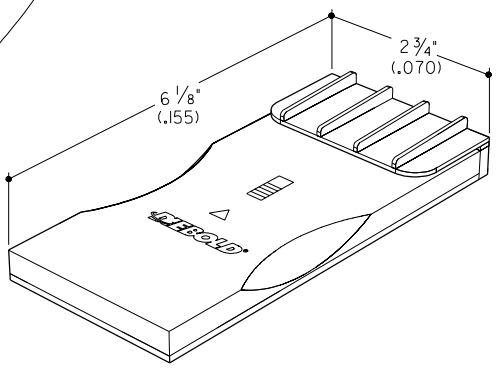
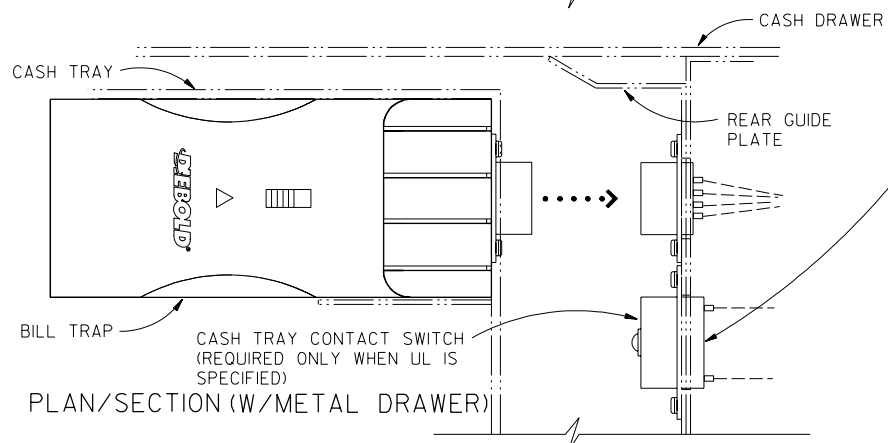
DIMENSIONS IN INCHES
(DIMENSIONS IN METRES)



PAGE 3 OF 4

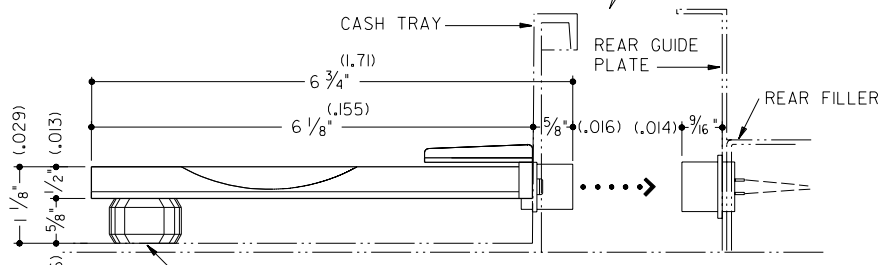


NOTE:
LEFT HAND INSTALLATION SHOWN. BILL TRAP IN RIGHT HAND COMPARTMENT ONLY WHEN SPECIFIED ON ORDER.



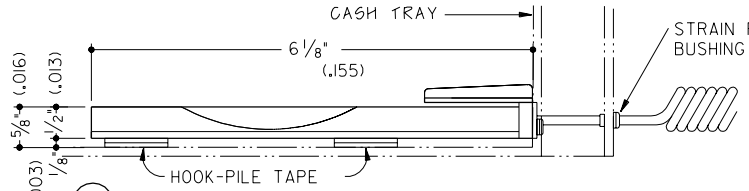
PERSPECTIVE OF BILL TRAP

NOTE:
PLUG IN CASH TRAY MUST NOT BE TIGHTENED DOWN. THE PLUG IS DESIGNED TO FLOAT FOR PROPER INSERTION OF THE BILL TRAP.

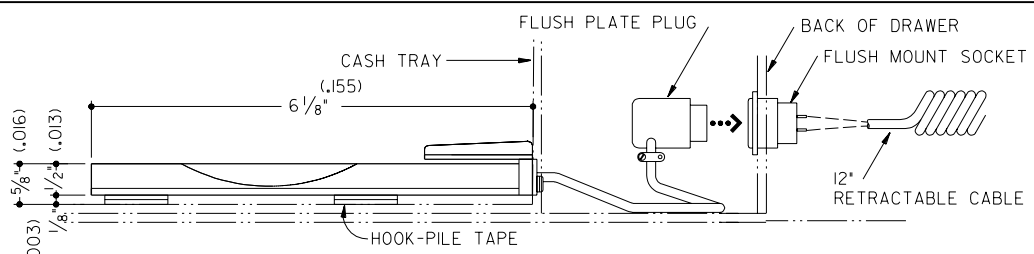


(A) AUTOMATIC DISCONNECT W/METAL DRAWER 39-001988-000A
W/PLASTIC DRAWER 39-001988-000C

*ALL DIMENSIONS AND DESIGN CRITERIA SUBJECT TO CHANGE WITHOUT NOTICE.



(B) PERMANENT 39-001929-000A
FOR CASH TRAYS THAT ARE NOT REMOVABLE.



(C) MANUAL DISCONNECT 39-001930-000A
FOR REMOVABLE CASH TRAYS OTHER THAN STANDARD DIEBOLD DRAWERS.

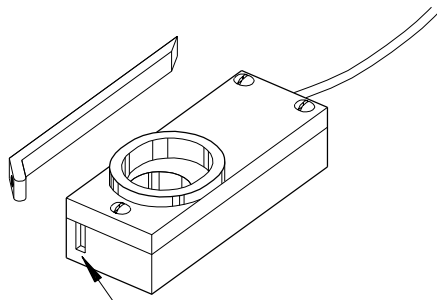
SPECIFICATIONS

MATERIAL: POLYCARBONATE
COLOR: BEIGE

(1) CABLE TYPE "C" IS REQUIRED FOR CABLE SPECIFICATIONS SEE CABLE SCHEDULE FILE NO. 170-100.



DIMENSIONS IN INCHES
(DIMENSIONS IN METRES)



INSERT KEY IN SLOT TO
RESET BUTTON

PERSPECTIVE

SPECIFICATIONS

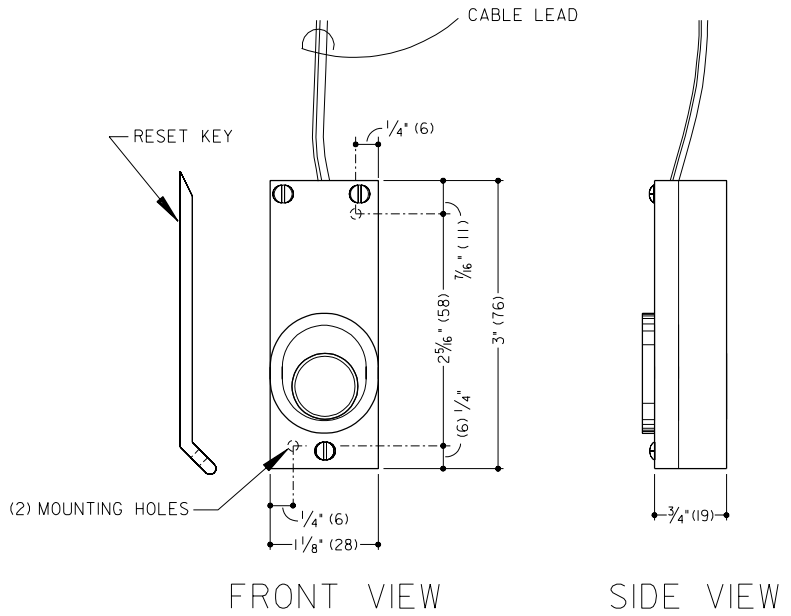
MATERIAL: HIGH IMPACT PLASTIC
 COLOR: GRAY
 WEIGHT: 1.5 OZ. OR 42.5 G.
 SWITCH RATING: .05 AMPS @ 60W, AC RESISTIVE
 CONTACTS: D.P.D.T.

NOTE:
 THE HOLD-UP BUTTON IS A LATCHING UNIT
 A KEY IS PROVIDED TO RESET THE DEVICE

MOUNTING

(2) #6 MOUNTING SCREWS

FOR DESK MOUNTED BUTTONS:
 A FLOOR OUTLET WITH 3/4" METAL CONDUIT
 TO J-BOX MAIN OR ALARM CONTROL CABINET.



  FINGER PULL BUTTON 19-011090-000-A

(1) CABLE TYPE "C" IS REQUIRED
 FROM CABLE LEAD TO J-BOX
 MAIN OR ALARM CONTROL CABINET
 FOR CABLE SPECIFICATIONS SEE
 CABLE SCHEDULE FILE NO. 170-100.