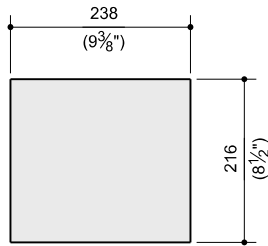
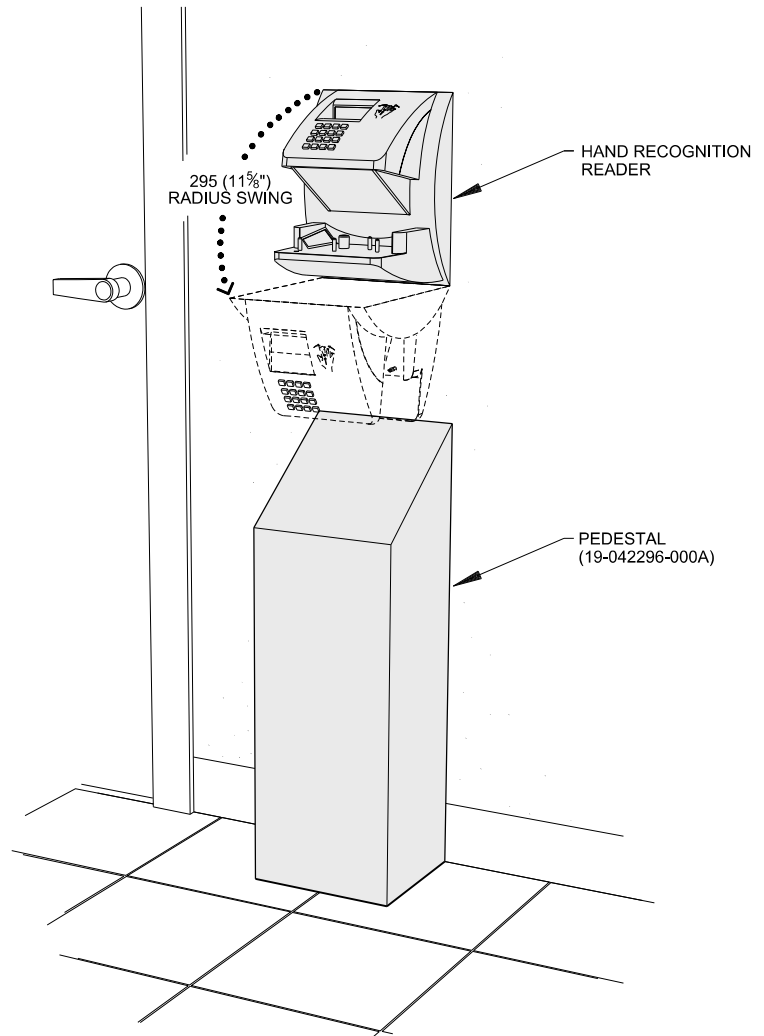


DIMENSIONS IN MILLIMETRES  
(DIMENSIONS IN FEET-INCHES)

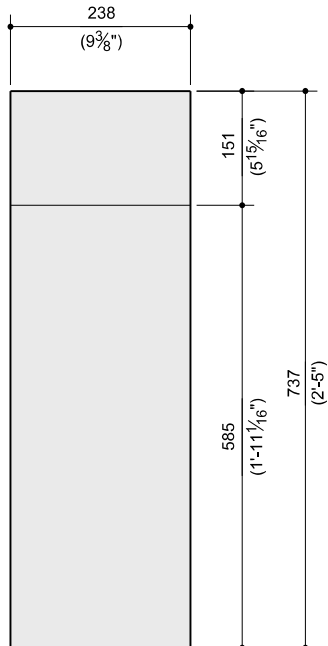
## SPECIFICATIONS

PEDESTAL DIMENSIONS ———  $9\frac{3}{8}$ "W. X 2'-5"H. X  $8\frac{1}{2}$ "D. (.238 X .7366 X .216)  
 FINISH COLOR ——— DARK GREY POWDERCOAT (PANTONE 425U)  
 MATERIAL ——— SHEET METAL

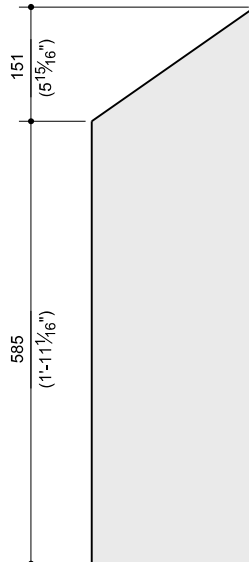
NOTE:  
 PEDESTAL REQUIRED IN MAIN CORRIDORS  
 WITH HEAVY PEDESTRIAN TRAFFIC,  
 FOR ADA COMPLIANCE.



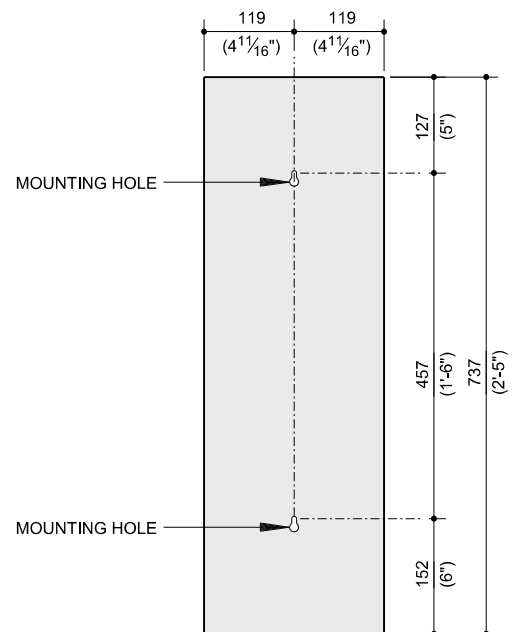
PLAN VIEW



FRONT VIEW



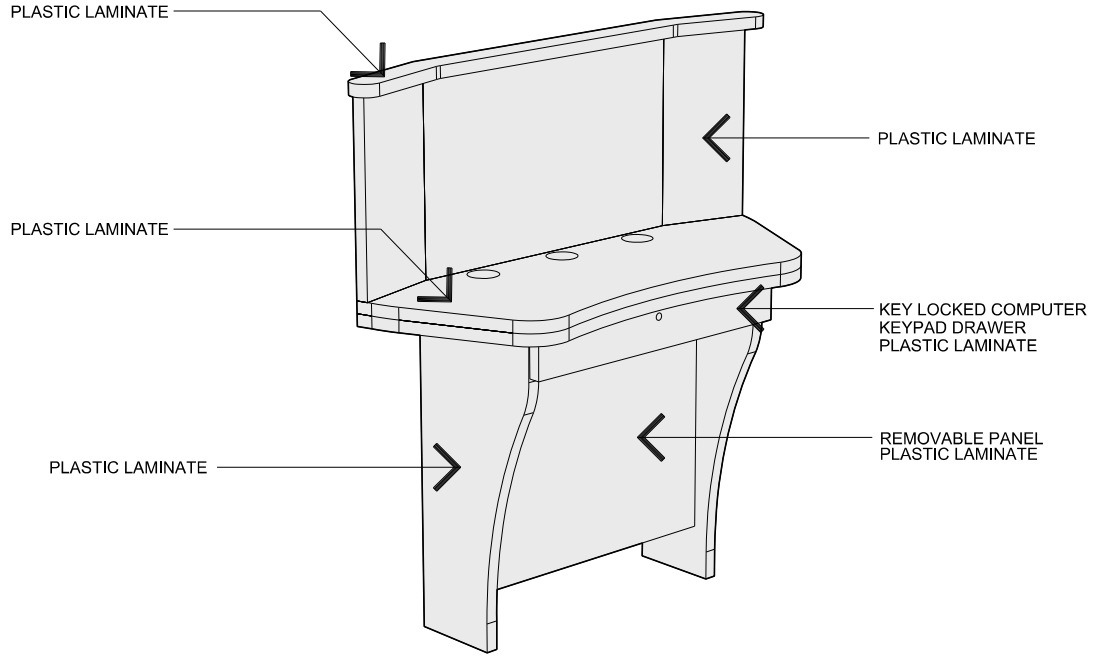
SIDE VIEW



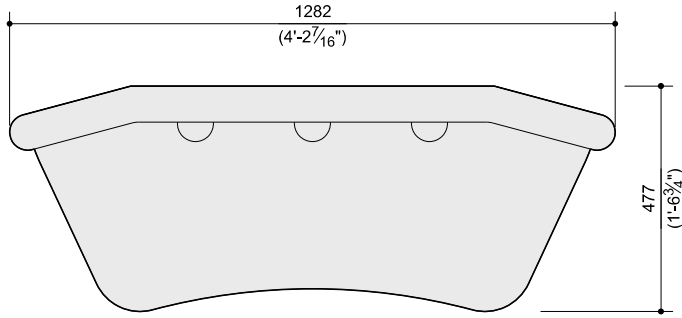
REAR VIEW

# EVA KIOSK (41-021255-000A)

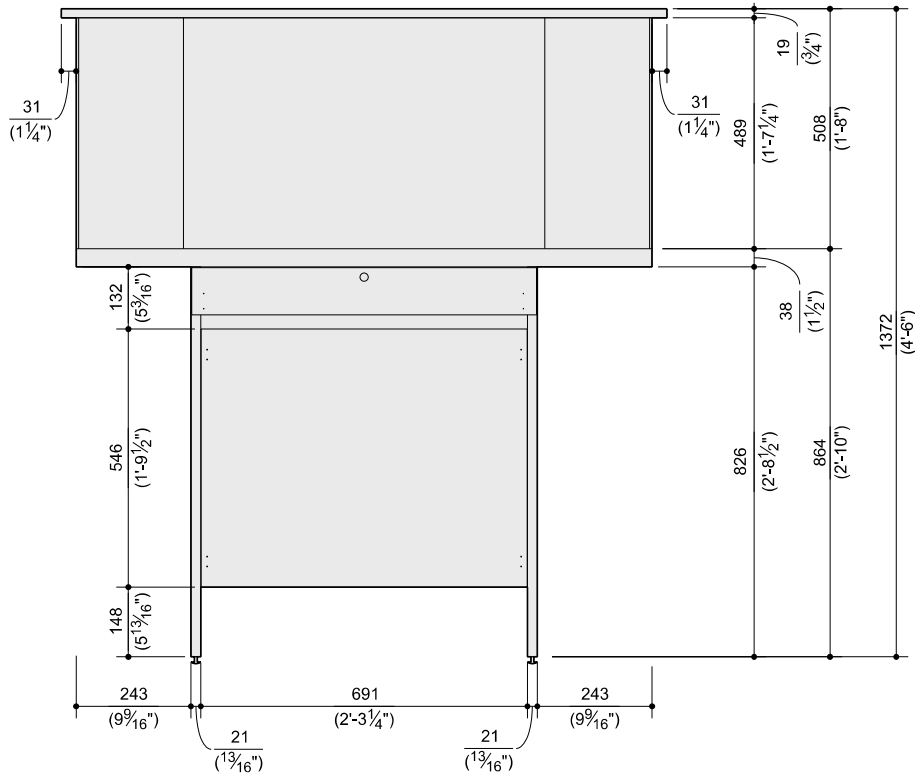
DIMENSIONS IN MILLIMETRES  
(DIMENSIONS IN FEET-INCHES)



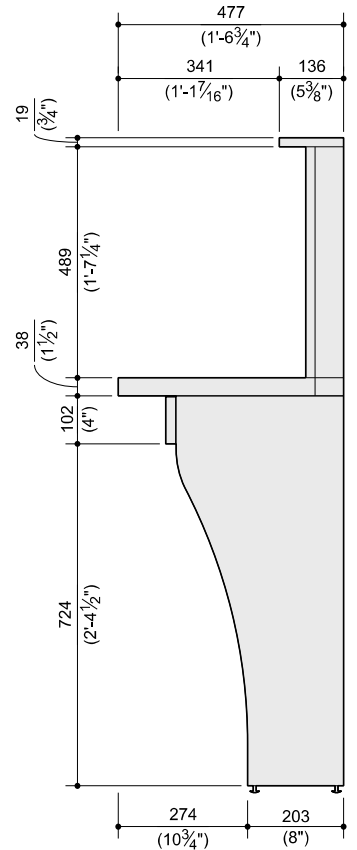
**PERSPECTIVE**



**PLAN VIEW**



**FRONT VIEW**



**SIDE VIEW**