

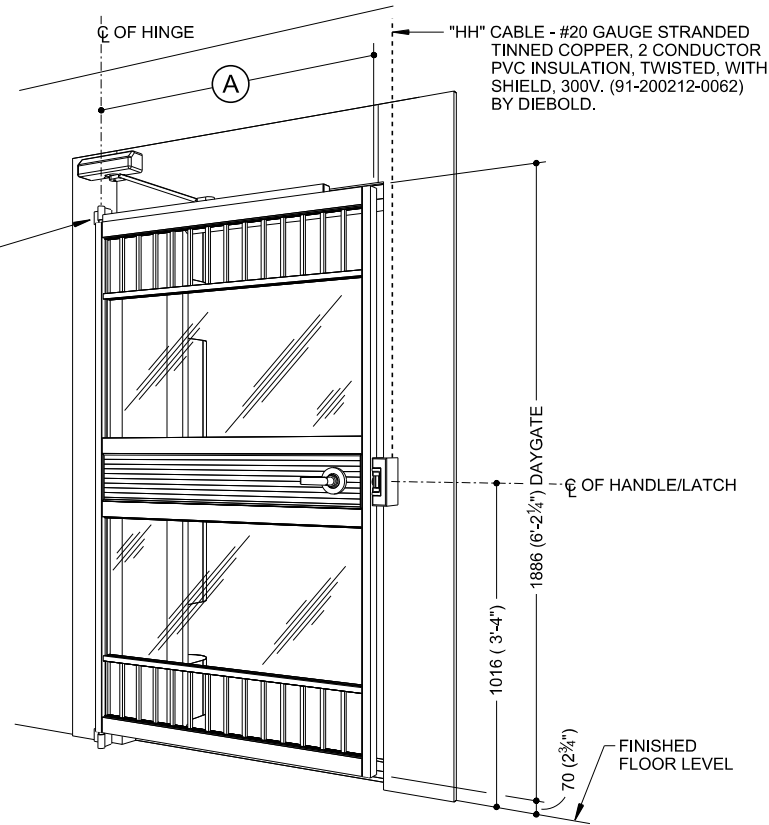
DIMENSIONS IN MILLIMETRES
(DIMENSIONS IN FEET-INCHES)



NOTE:
DAYGATE HINGE EXTENDS PAST OPENING,
REFER TO DAYGATE CUT-SHEET FOR
EXACT DIMENSIONS AND SPECIFICATIONS.

AMERICAN, TITAN AND ROTARY WEDGE LOCK VAULT DOORS

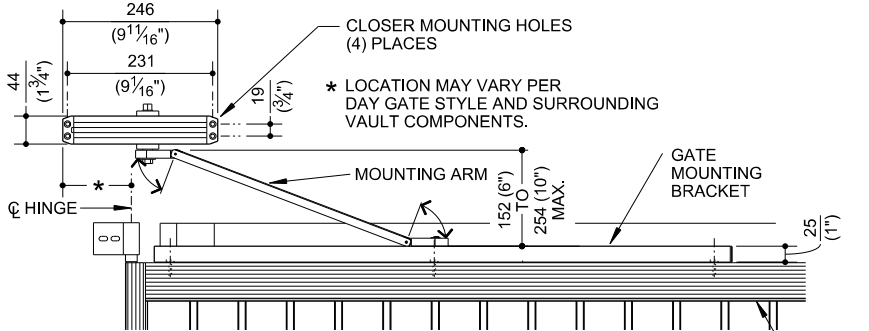
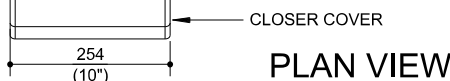
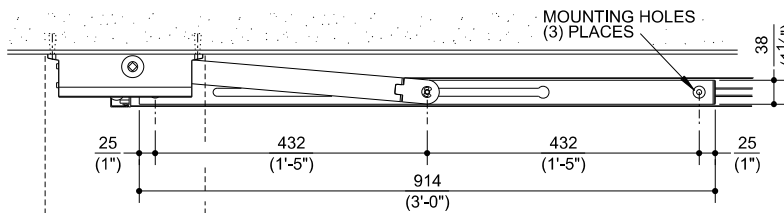
DAYGATE MODEL NUMBER	"A" DIMENSION
223-80 ALUMINUM ROD/TEMPERED GLASS	1127 (3'-8 ³ / ₈ ")
223-82 ALUMINUM ROD/TEMPERED GLASS (154-37 ROTARY WEDGE LOCK ONLY)	1534 (5'-0 ³ / ₈ ")



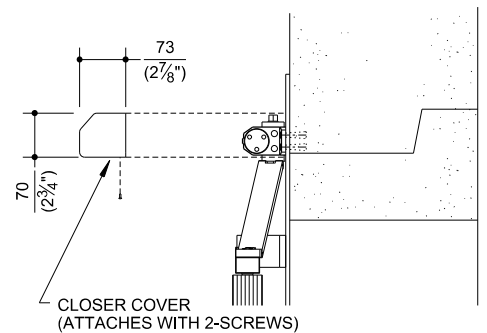
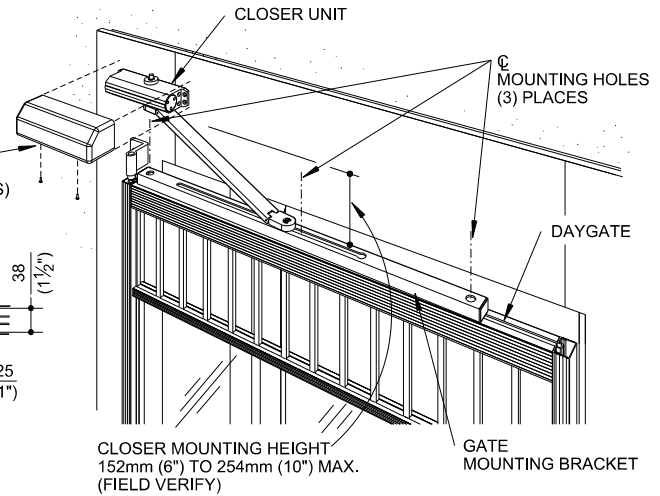
CLOSER KIT (19-046488-000A)

SPECIFICATIONS

- | | |
|-----------------------|---|
| CLOSER UNIT | CAST ALUMINUM UNIT - ALUMINUM COLOR WITH HIGH IMPACT NONCORROSIVE COVER |
| MOUNTING ARM | ANODIZED ALUMINUM ARM WITH PIVOTING END'S |
| GATE MOUNTING BRACKET | ANODIZED ALUMINUM MOUNTING BRACKET |
| CLOSER WEIGHT | 2.041kg (4 ¹ / ₂ " LBS.) |

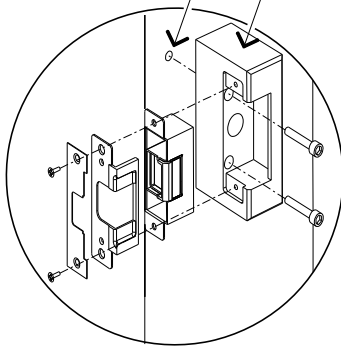


INTERIOR FRONT VIEW

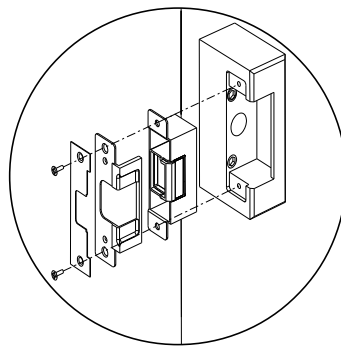


HOLES IN VAULT DOOR FOR MOUNTING LATCH — DOOR STRIKE KIT (19-042286-000A)

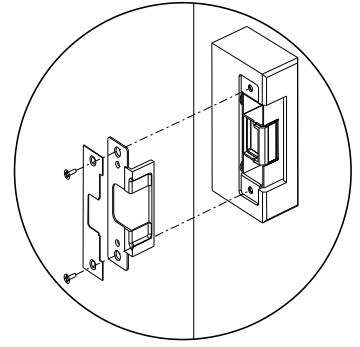
DIMENSIONS IN MILLIMETRES
(DIMENSIONS IN FEET-INCHES)



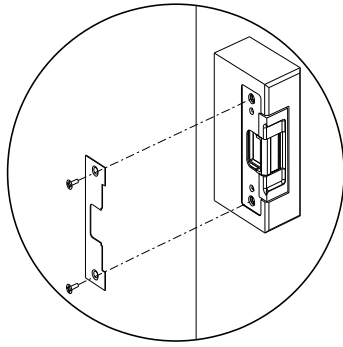
STEP 1



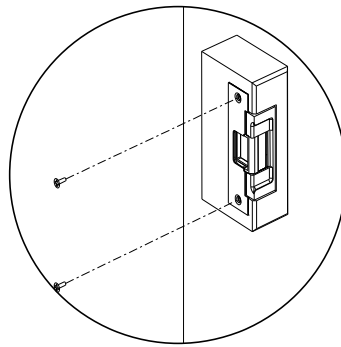
STEP 2



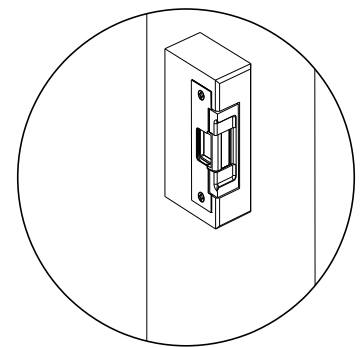
STEP 3



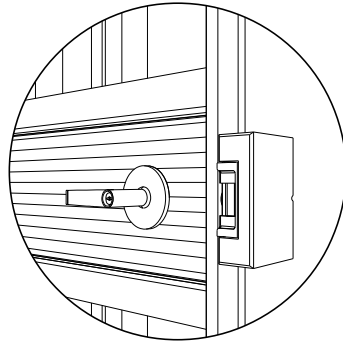
STEP 4



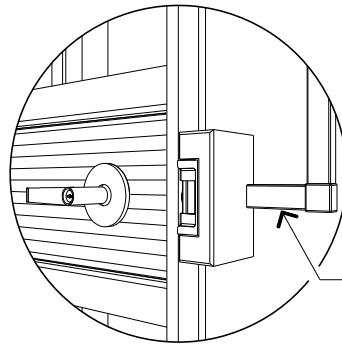
STEP 5



STEP 6



STEP 7



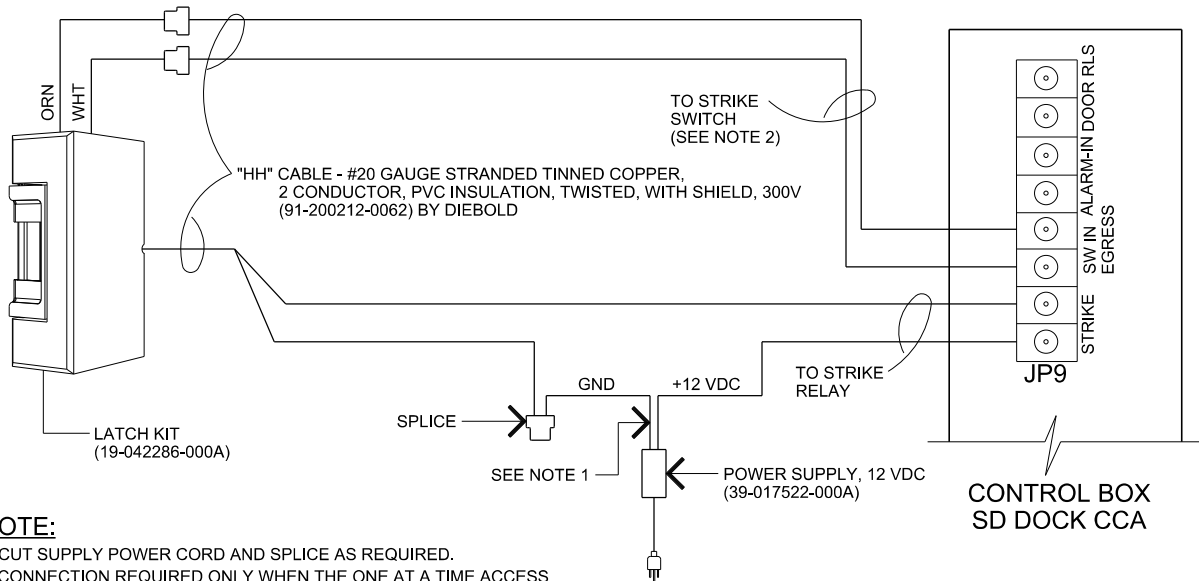
STEP 7

USE CHANNEL IN TRIM CLADDING OR WIREMOLD (SHOWN) TO ROUTE CABLE.

DOOR STRIKE KIT HARDWARE INSTALLATION

ALL DIMENSIONS AND DESIGN CRITERIA SUBJECT TO CHANGE WITHOUT NOTICE

FILE NO. 170-407 REV. 1



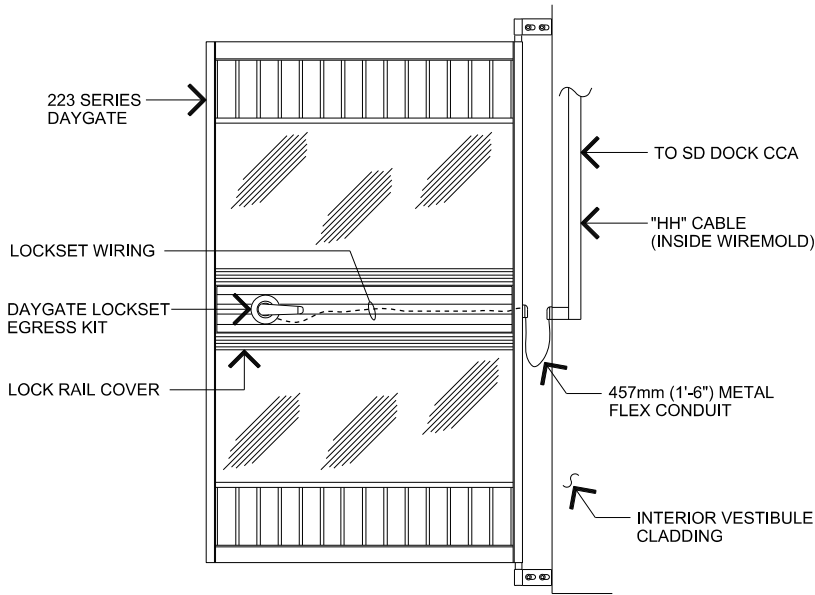
NOTE:

1. CUT SUPPLY POWER CORD AND SPLICE AS REQUIRED.
2. CONNECTION REQUIRED ONLY WHEN THE ONE AT A TIME ACCESS VAULT OPTION IS ACTIVE.

WIRING REQUIREMENTS

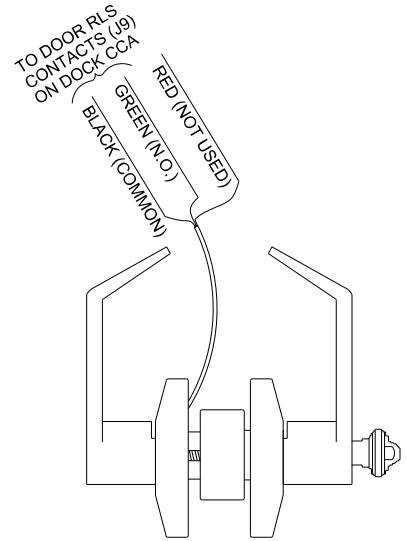
DAYGATE LOCK EGRESS KIT (19-046487-000A)

DIMENSIONS IN MILLIMETRES
(DIMENSIONS IN FEET-INCHES)



"HH" CABLE - #20 GAUGE STRANDED TINNED COPPER,
2 CONDUCTOR, PVC INSULATION, TWISTED,
WITH SHIELD, 300V (91-200212-0062) BY DIEBOLD

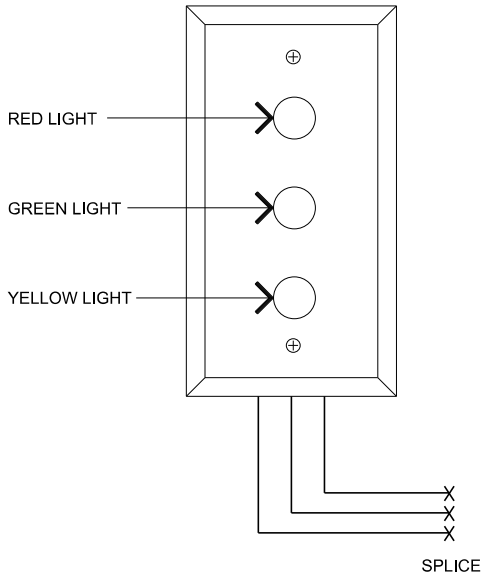
VIEW FROM INSIDE THE VAULT



LOCK EGRESS KIT (19-046487-000A)

TRAFFIC LIGHT OPTION (41-022505-000A)

*ALL DIMENSIONS AND DESIGN CRITERIA
SUBJECT TO CHANGE WITHOUT NOTICE*



NOTES:

1. A 3-STAGE (RED, GREEN, YELLOW) TRAFFIC LIGHT MAY BE INSTALLED ON AN EXTERIOR WALL NEXT TO DAYGATE. THE INSTITUTION USES THE EVA SOFTWARE TO CONFIGURE THE OPERATION OF THE TRAFFIC LIGHT.
2. COMPONENTS OF THE TRAFFIC LIGHT MAY REQUIRE MODIFICATION FOR USE WITH EVA. THE STANDARD DIEBOLD TRAFFIC LIGHT IS MOUNTED ON A STAINLESS STEEL GANG WALL PLATE.
3. ALARM CONTROLS CORPORATION PRODUCT NUMBER "SPN3056". EQUIPPED WITH "RED" - "GREEN" - "YELLOW" LED'S.

BAR-STYLE DAYGATE RETROFIT

WHEN THE EVA "ONE AT A TIME" ACCESS OPTION IS INSTALLED, YOU MAY BE REQUIRED TO MODIFY THE DAYGATE TO DENY ACCESS TO THE FREE-WHEELING HANDLE (INSIDE LEVER ALWAYS UNLOCKED) FROM THE EXTERIOR OF THE VAULT ENTRANCE. SEE FIGURE C-1 FOR AN ILLUSTRATION SHOWING ONE SUGGESTED EXAMPLE THAT MAY BE USED TO MODIFY THE DAYGATE. THE LEXAN OR PLEXIGLASS PANELS AND MOUNTING HARDWARE USED FOR THIS OPTION ARE LOCAL PURCHASE ITEMS.

DIMENSIONS IN MILLIMETRES
(DIMENSIONS IN FEET-INCHES)

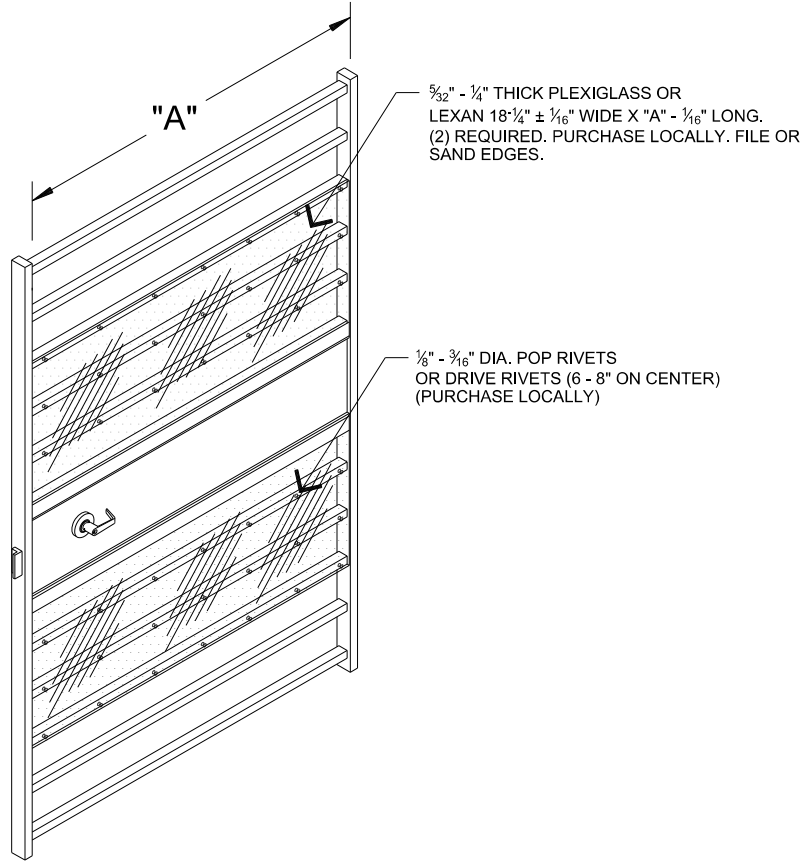
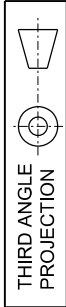


FIGURE C-1 BAR DAYGATE RETROFIT OPTION FOR "ONE AT A TIME ACCESS"