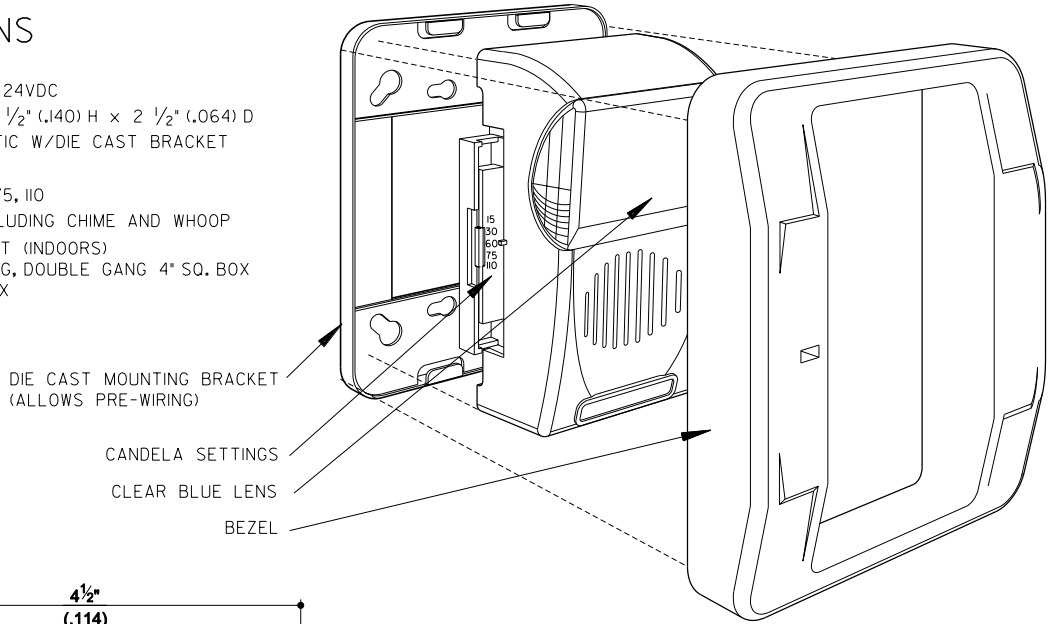


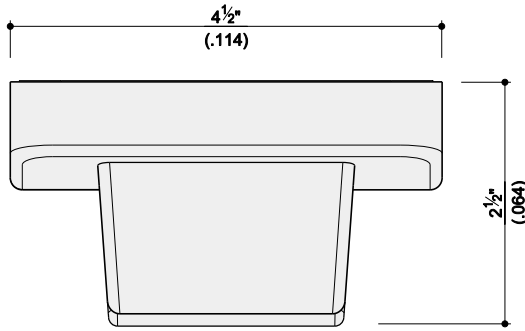
DIMENSIONS IN FEET-INCHES  
(DIMENSIONS IN METRES)

**SPECIFICATIONS**

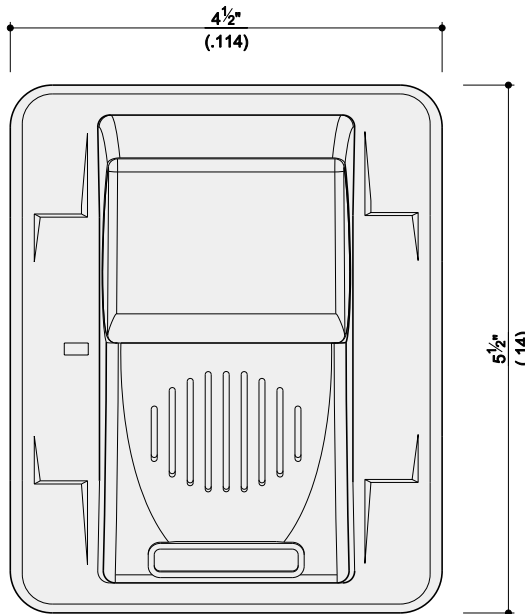
- POWER REQUIREMENTS — 24VDC
- SIZE — 4 1/2" (.114) W x 5 1/2" (.140) H x 2 1/2" (.064) D
- MATERIAL — BLUE PLASTIC W/DIE CAST BRACKET
- STROBE/HORN SETTINGS:
- CANDELA — 15, 30, 60, 75, 110
- HORN — SIX TONES, INCLUDING CHIME AND WHOOP
- MOUNTING — WALL MOUNT (INDOORS)  
SINGLE GANG, DOUBLE GANG 4" SQ. BOX  
OR GSB BOX



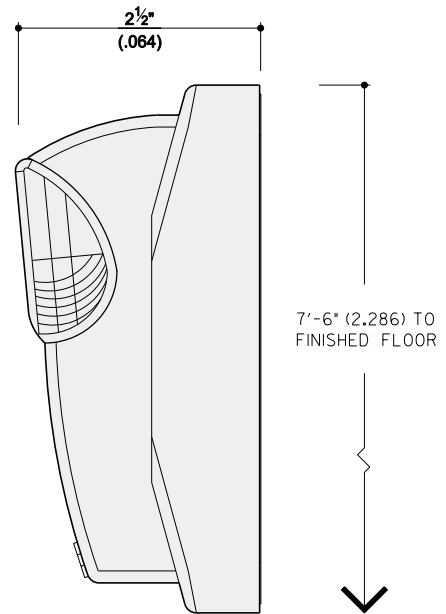
PERSPECTIVE



PLAN VIEW



FRONT VIEW



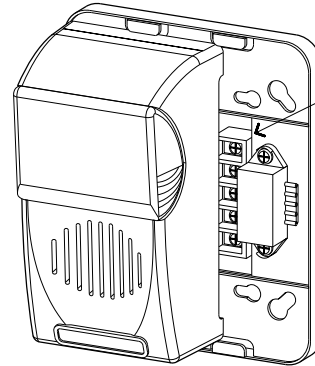
SIDE VIEW

CALL 1-800-999-3600

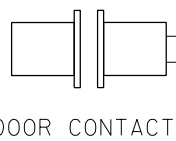
DIMENSIONS IN FEET-INCHES  
( DIMENSIONS IN METRES )



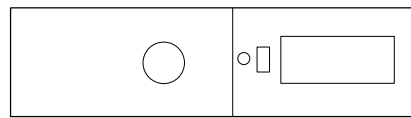
BANANA CABLE  
9I-200033-0062



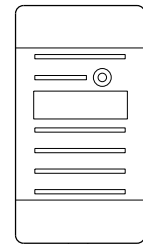
DOOR ALARM ANNUNCIATOR II-046668-000A



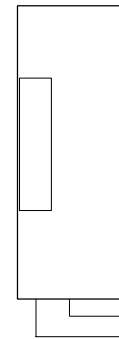
DOOR CONTACT



MOTION DETECTOR



CARD READER



ELECTRIC STRIKE

TO AL600ULACM POWER SUPPLY  
FOR DOOR LOCK AND PIR POWER

TO AL600ULACM VIA I050R-003 RELAY  
LOCATED ON I058 CONTROLLER OR  
I065-I0 MODULE FOR DOOR PROP  
ALARM STROBE POWER

TO AL600ULACM POWER SUPPLY  
DOOR CONTROL INPUT

