

DIMENSIONS IN FEET-INCHES
(DIMENSIONS IN METRES)

SPECIFICATIONS

CONSTRUCTION	16 GAUGE STEEL SEMI-GLOSS GRAY
WEIGHT	38 LBS. (17.23 KG)
POWER SOURCE	POWER SUPPLY W/CHARGER 120VAC/24VDC INPUT
RELAY RATING:	FORM C 2.5 AMPS @ 24VDC
POWER CONSUMPTION	0.8 AMPS @ 12VDC
TEMPERATURE	32°F TO 115°F (0°C TO 46°C)

NOTE:
MOUNTING HARDWARE TO BE COMPATIBLE WITH
WALL CONSTRUCTION AND ADEQUATE TO SUPPORT
WEIGHT OF UNIT.

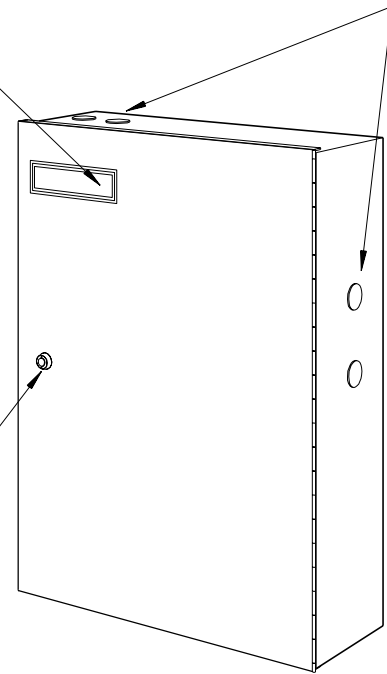
TAMPER SWITCH PROVIDED W/ENCLOSURE.

CONTACT LOCAL SALES/SERVICE
FOR VARIOUS MODEL AND
APPLICATION NEEDS.

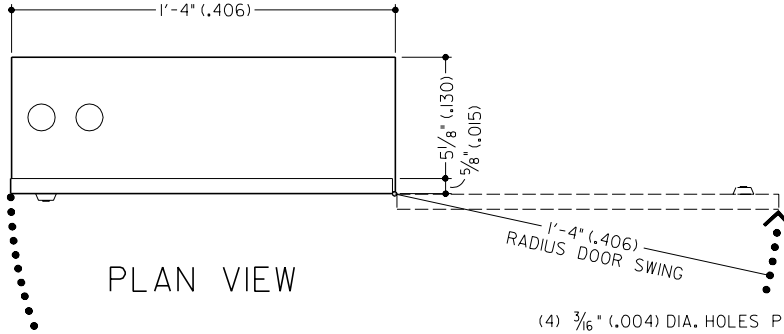
POWER INDICATOR

CONDUIT KNOCKOUTS
LOCATED AT TOP AND
SIDES OF UNIT.
1 1/8" (.029) DIA.

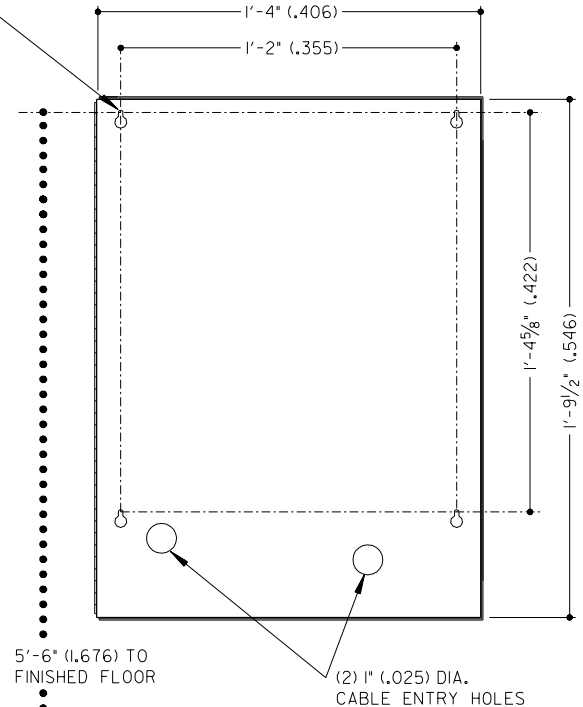
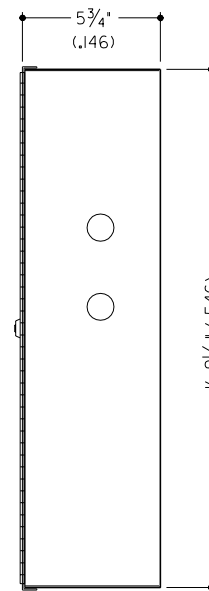
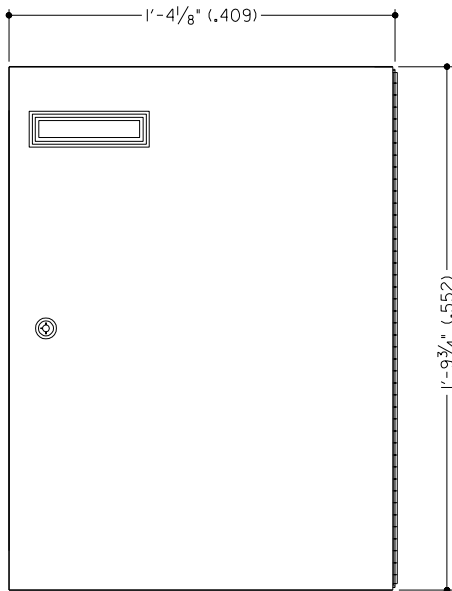
KEYLOCK



PERSPECTIVE



(4) 3/16" (.004) DIA. HOLES PROVIDED FOR MOUNTING
ENCLOSURE UNIT.





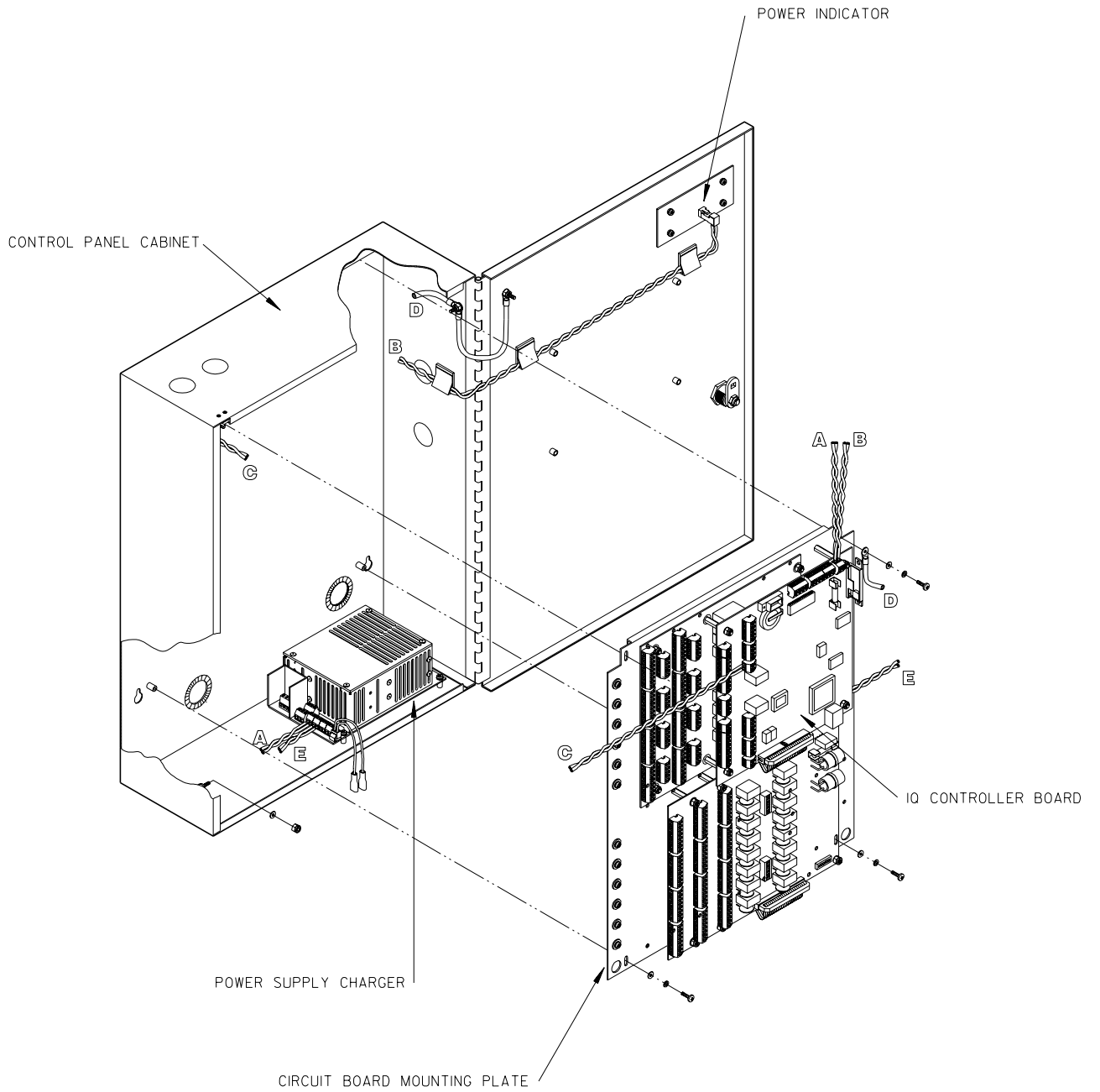
INSTALLATION NOTES

REFERENCE INSTALLATION MANUAL
FOR PROPER METHOD OF INSTALLATION.

DIMENSIONS IN FEET-INCHES
(DIMENSIONS IN METRES)



*ALL DIMENSIONS AND DESIGN CRITERIA
SUBJECT TO CHANGE WITHOUT NOTICE.*



CALL 1-800-999-3600

DIMENSIONS IN FEET-INCHES
(DIMENSIONS IN METRES)



PAGE 3 OF 3

*ALL DIMENSIONS AND DESIGN CRITERIA
SUBJECT TO CHANGE WITHOUT NOTICE.*

FILE NO. 170-383 REV. 0

