

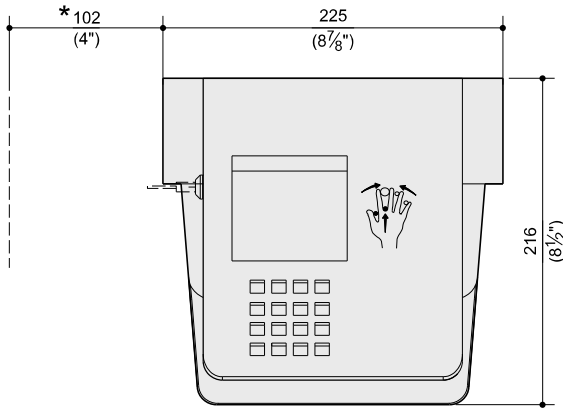
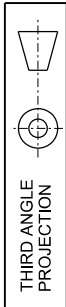
### SPECIFICATIONS:

TERMINAL DIMENSIONS:	8 7/8" W. X 11 5/8" H. X 8 1/2" D. (225mm X 295mm X 216mm)
OPERATING TEMPERATURE:	0° TO 45° C (32° TO 113° F)
STORAGE:	-40° TO 80° C (-40° TO 176° F)
OPERATING HUMIDITY:	5 TO 85%, NON-CONDENSING
WEIGHT:	6 LBS. (2.7 KG)
FINISH COLOR:	DARK GREY
MATERIAL:	HIGH STRENGTH POLYMER
POWER:	12-24 VDC OR 12-24 VAC 50 60Hz, 7 WATTS
OPERATION:	STAND ALONE OR FULLY INTEGRATED (MULTIPLE UNITS) WITH PC

### EXPANDED USER CAPACITY OPTIONS:

HK-23 UNIT (19-041823-000A)	512 USERS
HK-2B26B UNIT (19-055310-000A)	9,728 USERS
HK-2B26C UNIT (19-055311-000A)	32,512 USERS

DIMENSIONS IN MILLIMETRES  
(DIMENSIONS IN FEET-INCHES)

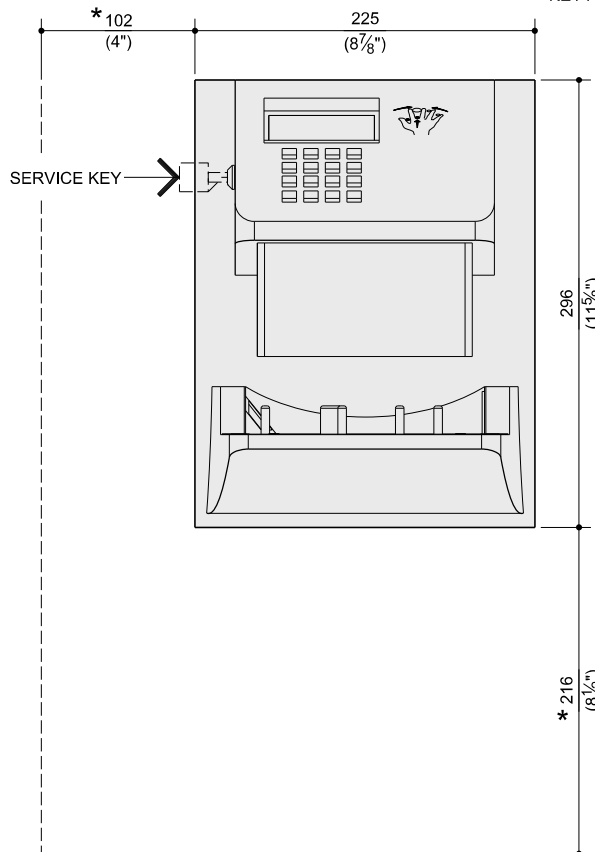


**PLAN VIEW**

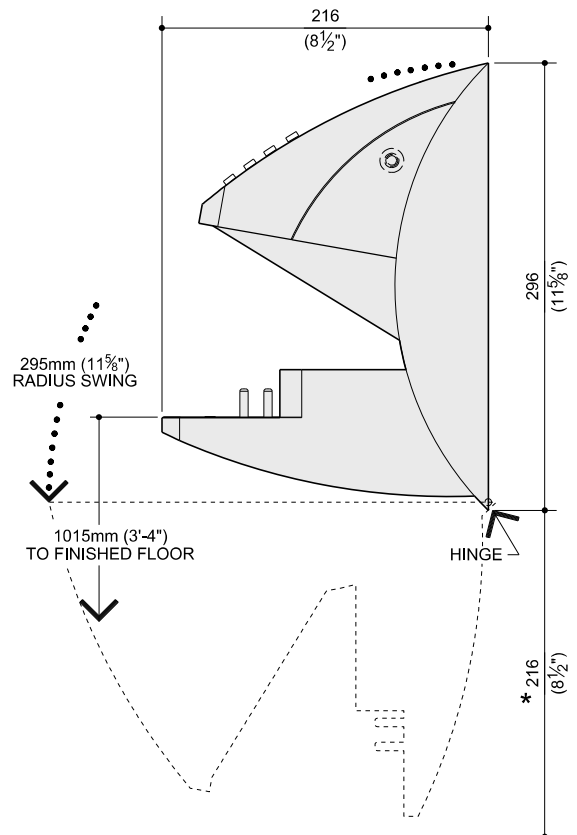


**PERSPECTIVE**

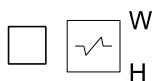
\* MINIMUM CLEARANCE REQUIRED FOR KEY ACCESS & SERVICE ENTRY



**FRONT VIEW**

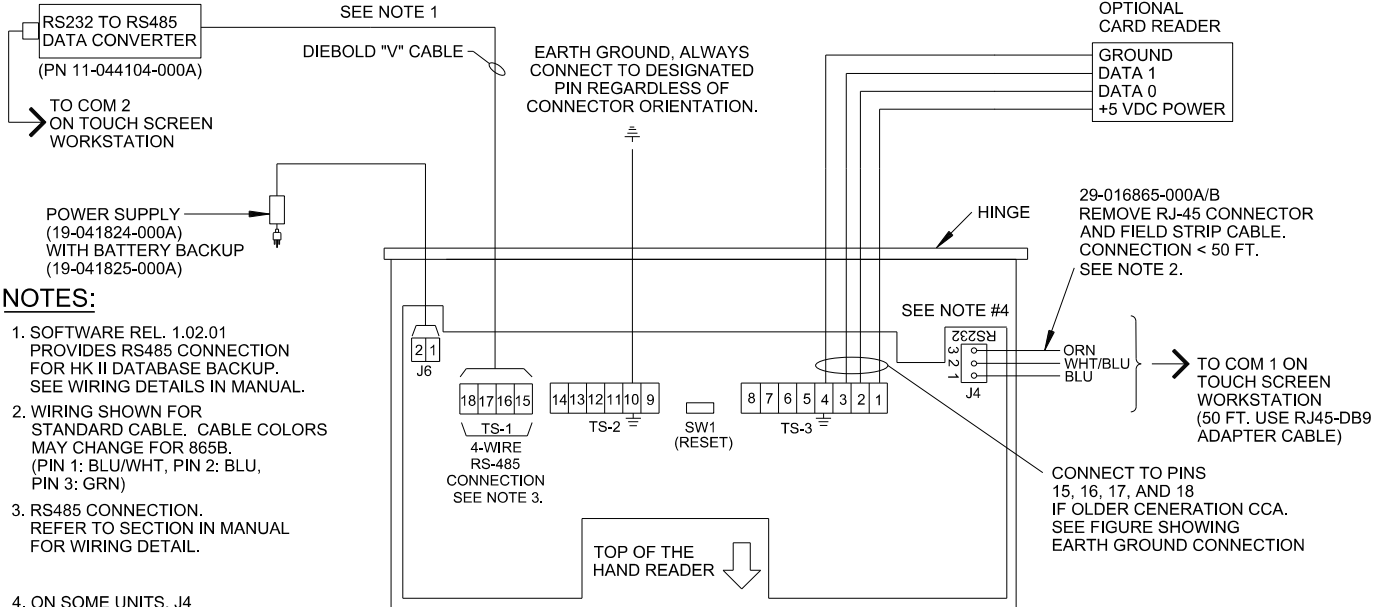


**SIDE VIEW**



# HAND RECOGNITION READER

DIMENSIONS IN MILLIMETRES  
(DIMENSIONS IN FEET-INCHES)



## NOTES:

- SOFTWARE REL. 1.02.01 PROVIDES RS485 CONNECTION FOR HK II DATABASE BACKUP. SEE WIRING DETAILS IN MANUAL.
- WIRING SHOWN FOR STANDARD CABLE. CABLE COLORS MAY CHANGE FOR 865B. (PIN 1: BLU/WHT, PIN 2: BLU, PIN 3: GRN)
- RS485 CONNECTION. REFER TO SECTION IN MANUAL FOR WIRING DETAIL.
- ON SOME UNITS, J4 MAY BE AN RJ-45 CONNECTOR. SEE MANUAL FOR WIRING DETAILS.

NEWER GENERATION OF THE CCA IS SHOWN. CONNECTIONS TO OLDER GENERATION CCAs WILL DIFFER ALWAYS USE TERMINAL 10 FOR THE EARTH GROUND CONNECTION.

## WIRING DIAGRAM

## HAND RECOGNITION READER EARTH GROUND AND SHIELDING

DO NOT CONNECT THE HAND RECOGNITION READER'S POWER SUPPLY TO A SWITCHED DUPLEX OUTLET. THE READER MUST HAVE A CONSTANT SOURCE OF POWER FOR PROPER OPERATION.

THE HAND RECOGNITION READER **"MUST"** BE GROUNDING WITH A SOLID, RELIABLE EARTH GROUND CONNECTION. THIS CONNECTION ESTABLISHES A COMMON GROUND RETURN POINT USED TO PROTECT INTERNAL SEMICONDUCTOR DEVICES FROM ELECTROSTATIC DISCHARGE (ESD) AND FROM EXTERNAL SIGNAL LINE TRANSIENTS. DIEBOLD RECOMMENDS THAT THE EARTH GROUND SOURCE BE BY A QUALIFIED ELECTRICIAN FAMILIAR WITH ELECTRICAL CODES AS WELL AS WIRING AND GROUNDING TECHNIQUES. IF THE SENDING AND RECEIVING STATIONS DO NOT AGREE ON THE GROUND REFERENCE FOR THE SIGNAL VOLTAGES, COMMUNICATION ERRORS MAY RESULT. ADDITIONALLY, DAMAGE MAY RESULT IF THE VOLTAGES ARE ABNORMALLY DIFFERENT.

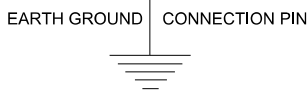
## EARTH GROUND CONNECTION DETAILS

USE GROUND TERMINAL 10 ON THE UNIT'S CCA TO MAKE THE EARTH GROUND CONNECTION. "DO NOT" USE TERMINAL 2 TO ESTABLISH THE EARTH GROUND CONNECTIONS; TERMINAL 2 IS NOT DIRECTLY CONNECTED TO GROUND (SEE DETAILS BELOW).

EARTH GROUND THE UNIT WHEN THERE IS A GOOD EARTH GROUND SOURCE NEAR EACH UNIT AND WHEN THERE ARE VERY LONG CABLE RUNS BETWEEN UNITS. CARRY AN EARTH GROUND TO EACH UNIT WHEN THERE ARE NO EARTH GROUNDS CONVENIENT TO THE UNIT AND THE UNIT'S POWER SUPPLY IS FLOATING.

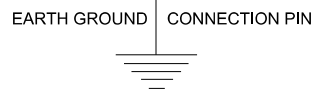
### OLDER GENERATION CCA

26	25	24	23	22	21	20	19	18	17	16	15	14	13	12	11	10	9	8	7
SWITCH INPUTS			CARD READER INPUT		OUTPUTS														
REX SWITCH	DOOR SWITCH	GROUND	AUX IN 1	AUX IN 2	GROUND	+5 VDC OUTPUT	DATA INPUT	CLOCK INPUT	GROUND	LOCK OR CLOCK	GROUND	BELL OR DATA	GROUND	AUXOUT 1	AUXOUT 2	GROUND	GROUND	GROUND	GROUND
7	8	9	10	11	12	13	14	15	16	17	18	19	20	21	22	23	24	25	26
⊖	⊖	⊖	⊖	⊖	⊖	⊖	⊖	⊖	⊖	⊖	⊖	⊖	⊖	⊖	⊖	⊖	⊖	⊖	⊖



### NEWER GENERATION CCA

1	2	3	4	5	6	7	8	9	10	11	12	13	14	15	16	17	18	1	
CARD READER INPUT		OUTPUTS			SWITCH INPUTS			NETWORK			POWER								
+5 VDC OUTPUT	DATAD0	DATAD1	GROUND	BELL/DATAD1	LOCK/CLOCK/D1	AUXOUT 1	AUXOUT 2	REX SWITCH	GROUND	DOOR SWITCH	AUX IN 1	GROUND	AUX IN 2	RT-	RT+	TX-	TX+	12-24 VDC	12-24 VDC
1	2	3	4	5	6	7	8	9	10	11	12	13	14	15	16	17	18	2	1
⊖	⊖	⊖	⊖	⊖	⊖	⊖	⊖	⊖	⊖	⊖	⊖	⊖	⊖	⊖	⊖	⊖	⊖	⊖	⊖



CALL 1-800-999-3600

DIMENSIONS IN MILLIMETRES  
(DIMENSIONS IN FEET-INCHES)

