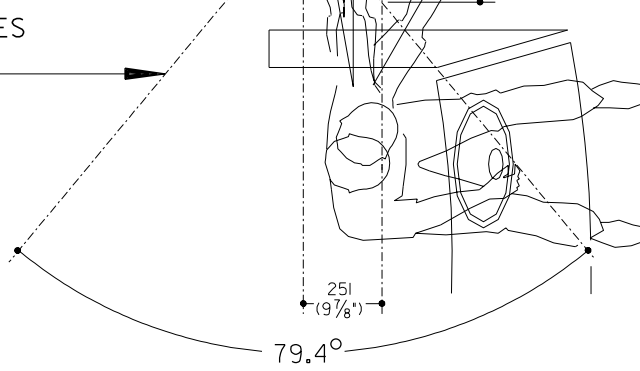
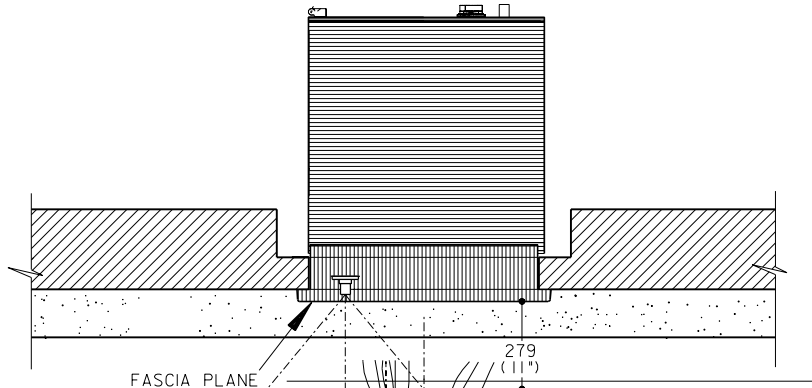


DIMENSIONS IN MILLIMETRES
(DIMENSIONS IN INCHES)



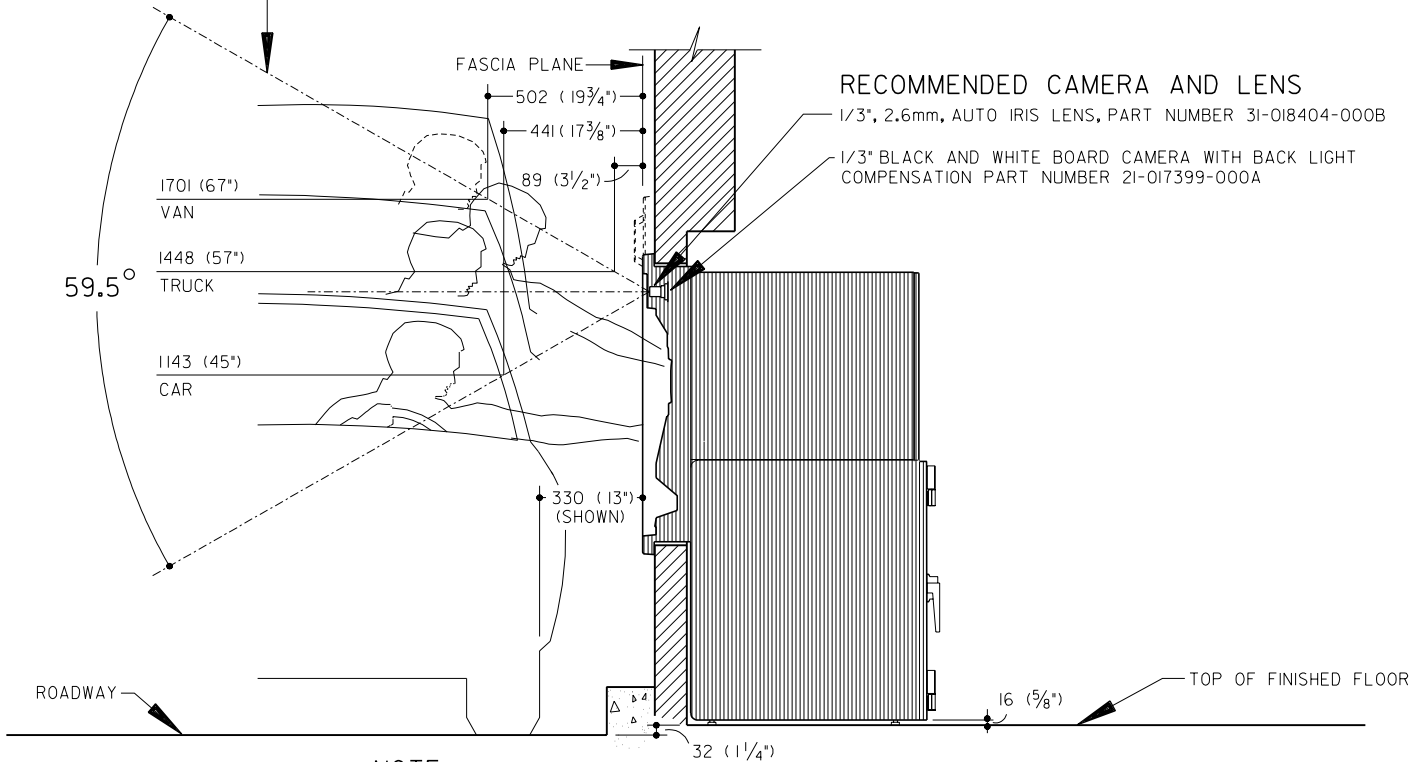
LENS COVERAGE ANGLES
BOARD CAMERA WITH
1/3", 2.6mm, AUTO IRIS LENS,
VERTICAL ANGLE 59.5°
HORIZONTAL ANGLE 79.4°



PLAN VIEW

PAGE 1 OF 1

*ALL DIMENSIONS AND DESIGN CRITERIA
SUBJECT TO CHANGE WITHOUT NOTICE*



NOTE:

- ① SHOWN IS OPTIMUM OPERATION HEIGHT WITH 16mm (5/8") LEVELING SPACE BETWEEN FINISHED FLOOR AND BOTTOM OF THE SAFE. INSIDE FINISHED FLOOR IS 32mm (1 1/4") ABOVE ROADWAY. IF INSIDE FLOOR LEVEL IS HIGHER OR LOWER THAN RECOMMENDED, OPTIMUM OPERATION AND CAMERA COVERAGE WILL NOT BE MET.
- ② COVERAGE MAY BE DIFFERENT WITH OTHER CAMERA / LENS COMBINATIONS

VERTICAL SECTION